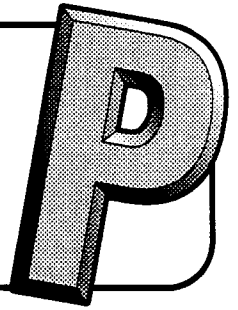
**ski-doo®****Parts and  
Accessories****P-CL-96-01**

February 23, 1996

MEMO TO: ALL U.S. SKI-DOO SNOWMOBILE DEALERS

ATTENTION: PARTS MANAGER

**SUBJECT: PRICE REDUCTION ON SELECTED ENGINES**

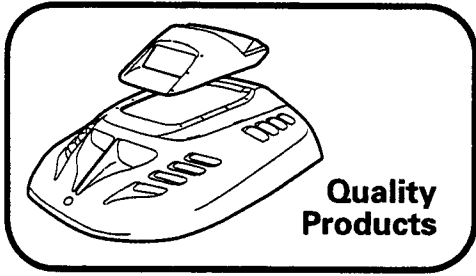
We've reduced quite dramatically prices on selective engines. These engines are available in limited quantities and **NO** back orders will be kept on record. They are the following:

PART NO.	APPLICATION	REGULAR PRICE	SPECIAL PRICE
400 4067 00	Formula MX/MX-XTC/MX II '93		
400 4068 00	Formula MX Z/MX ZA/MX Z SW '93		
400 5049 00	Formula Plus/Plus II/Plus SW/Plus E '93		
400 5052 00	Grand Touring / Grand Touring SW '93		
400 5055 00	Grand Touring SW/XTC/XTC SW '94		

Please note that this special is valid only for engines in stock while supplies last.

You can place an order through your respective order desk.

Bombardier Inc.  
Marketing - Parts and Accessories



P-CL-96-01

February 23, 1996

MEMO TO: ALL CANADIAN SKI-DOO SNOWMOBILE DEALERS  
 ATTENTION: PARTS MANAGER

**SUBJECT: PRICE REDUCTION ON SELECTED ENGINES**

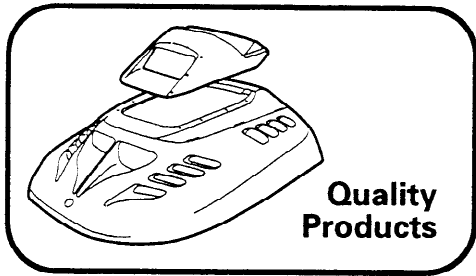
We've reduced quite dramatically prices on selective engines. These engines are available in limited quantities and **NO** back orders will be kept on record. They are the following:

PART NO.	APPLICATION	REGULAR PRICE	SPECIAL PRICE
400 4067 00	Formula MX/MX-XTC/MX II '93		
400 4068 00	Formula MX Z/MX ZA/MX Z SW '93		
400 5049 00	Formula Plus/Plus II/Plus SW/Plus E '93		
400 5052 00	Grand Touring / Grand Touring SW '93		
400 5055 00	Grand Touring SW/XTC/XTC SW '94		

Please note that this special is valid only for engines in stock while supplies last.

You can place an order through your respective order desk.

Bombardier Inc.  
 Marketing - Parts and Accessories



P-CL-96-02

March 29, 1996

MEMO TO: ALL SKI-DOO SNOWMOBILE DEALERS

ATTENTION: PARTS MANAGER

**SUBJECT: 1997 SKI-DOO TRACK EXCHANGE PROGRAM**

You will find in your 1997 Ski-Doo sales binder, details of this year's very flexible track exchange program.

In order to ensure quick response and credit approval, it is imperative to completely fill out a copy of the attached form and send it to a parts analyst from our distribution center, whether in Sherbrooke or Wausau. This is the only procedure to follow in order to receive an authorization.

Bombardier Inc.  
Marketing - Parts and Accessories

<b>1997 SKI-DOO TRACK EXCHANGE PROGRAM</b>
--

**Return and authorization request and warranty validation form**

Dealer Name:	Dealer Number:
Person to Contact:	Telephone Number:
Date of Request:	Fax Number:
Vehicle Serial Number:	

Part Number Ordered: \_\_\_\_\_

Invoice Number: \_\_\_\_\_

Serial Number: \_\_\_\_\_

Date Installed: \_\_\_\_\_

Part Number to be Returned: \_\_\_\_\_

Serial Number: \_\_\_\_\_

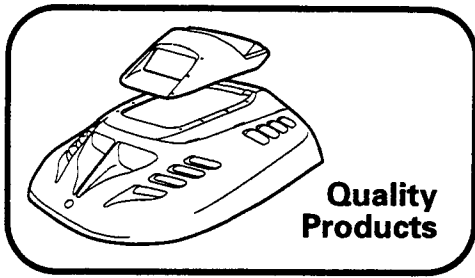
**To be filled by Bombardier Inc.**

Return Authorization Number:
Authorized by (Analyst):
Date Approved:

**One additional copy must be forwarded to the Warranty Department, Valcourt.**

For details of this program, please refer to the Parts section of your 1997 dealer binder.

For more information, please contact our Parts Analysts.



**P-CL-96-03**

March 29, 1996

**MEMO TO: ALL U.S. SKI-DOO SNOWMOBILE DEALERS**

**ATTENTION: PARTS MANAGER**

**SUBJECT: SC-10 REAR SUSPENSION KIT, P/N 861 7597 00**

We are proud to offer a SC-10 High-Performance rear suspension (Super Comfort, ten inches of travel). This optional kit retrofits on the following models:

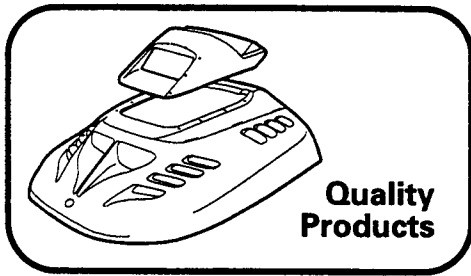
- Mach I (15" x 121" - C7) 1996
- Mach Z (15" x 121" - C7) 1996
- Formula III (15" x 121" - C7) 1996

This kit includes our exclusive Accelerator and Control Modulator (ACM) that allows the driver to easily dial the exact amount of weight transfer for his riding style.

Item No.: 000000636

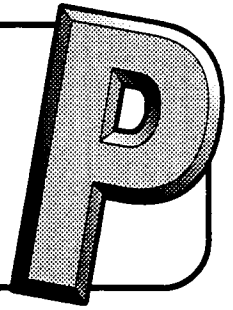
You can place an order through your respective order desk.

**Bombardier Inc.  
Marketing - Parts and Accessories**



**ski-doo®**

**Parts and  
Accessories**



**P-CL-96-03**

March 29, 1996

**MEMO TO: ALL CANADIAN SKI-DOO SNOWMOBILE DEALERS**

**ATTENTION: PARTS MANAGER**

**SUBJECT: SC-10 REAR SUSPENSION KIT, P/N 861 7597 00**

We are proud to offer a SC-10 High-Performance rear suspension (Super Comfort, ten inches of travel). This optional kit retrofits on the following models:

Mach I (15" x 121" - C7) 1996

Mach Z (15" x 121" - C7) 1996

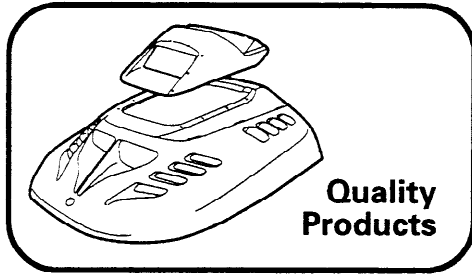
Formula III (15" x 121" - C7) 1996

This kit includes our exclusive Accelerator and Control Modulator (ACM) that allows the driver to easily dial the exact amount of weight transfer for his riding style.

Item No.: 810000987

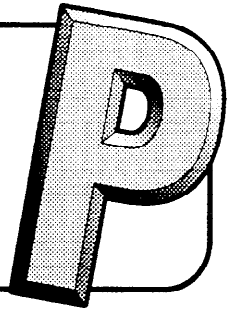
You can place an order through your respective order desk.

**Bombardier Inc.  
Marketing - Parts and Accessories**



**ski-doo®**

**Parts and  
Accessories**



**P-CL-96-04**

**March 29, 1996**

**MEMO TO: ALL U.S. SKI-DOO SNOWMOBILE DEALERS**

**ATTENTION: PARTS MANAGER**

<b>SUBJECT: NEW SC-10 REAR SUSPENSION EXTENSION KIT P/N 861 7594 00</b>
---

We are proud to offer a new SC-10 rear suspension extension kit, P/N 861 7594 00 to our line-up. This new kit includes the following:

- 1- 15" x 136" Super V track (profile 1.45)
- 1- tunnel extension
- 2- rail extensions

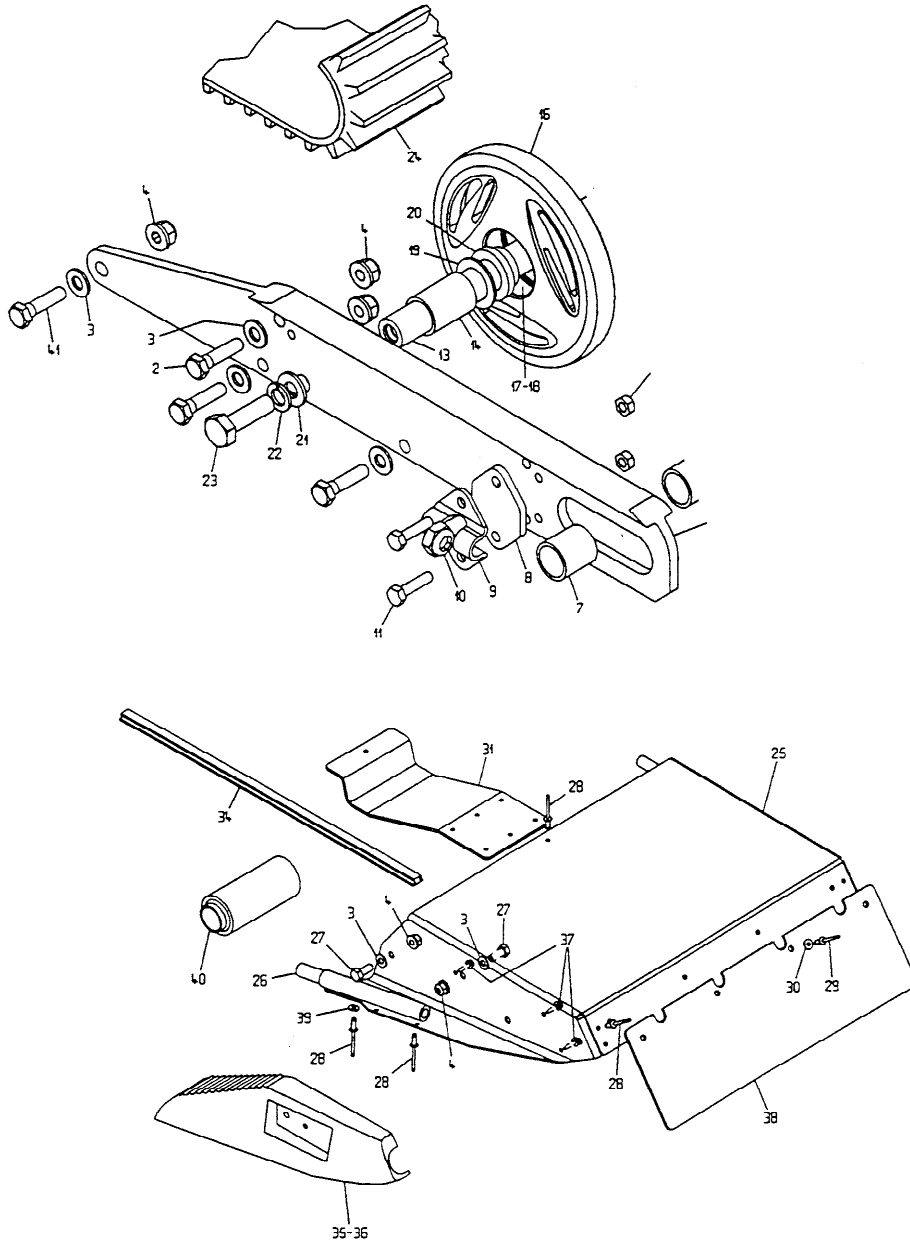
This kit is designed for deep snow application and is not recommended for vehicles other than the ones listed below:

- Mach Z 1997
- Mach I 1997
- Formula III 1997
- Formula Z 1997
- Formula 583 1997
- Formula 500 1997
- Formula 500 Deluxe 1997
- MX Z 440
- MX Z 583
- MX Z 670

Please note that all extension kits ordered for 1997 Ski-Doo snowmobile models are eligible for our track exchange program. (See dealer binder p. 5-23 for details).

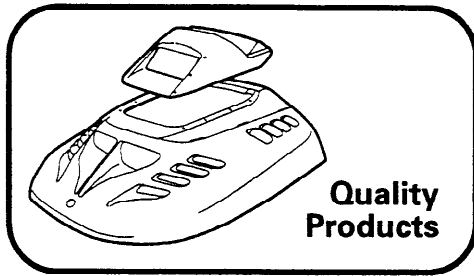
Item No.: 650000295  
Suggested Retail: \$911.50

You can place your order through your respective order desk.



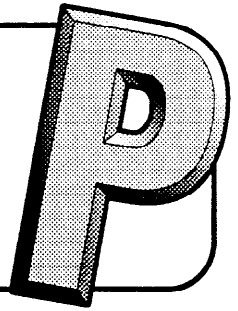
Bombardier Inc.  
Marketing - Parts and Accessories





**ski-doo®**

**Parts and  
Accessories**



**P-CL-96-04**

March 29, 1996

**MEMO TO: ALL CANADIAN SKI-DOO SNOWMOBILE DEALERS**

**ATTENTION: PARTS MANAGER**

<b>SUBJECT: NEW SC-10 REAR SUSPENSION EXTENSION KIT P/N 861 7594 00</b>
---

We are proud to offer a new SC-10 rear suspension extension kit, P/N 861 7594 00 to our line-up. This new kit includes the following:

- 1- 15" x 136" Super V track (profile 1.45)
- 1- tunnel extension
- 2- rail extensions

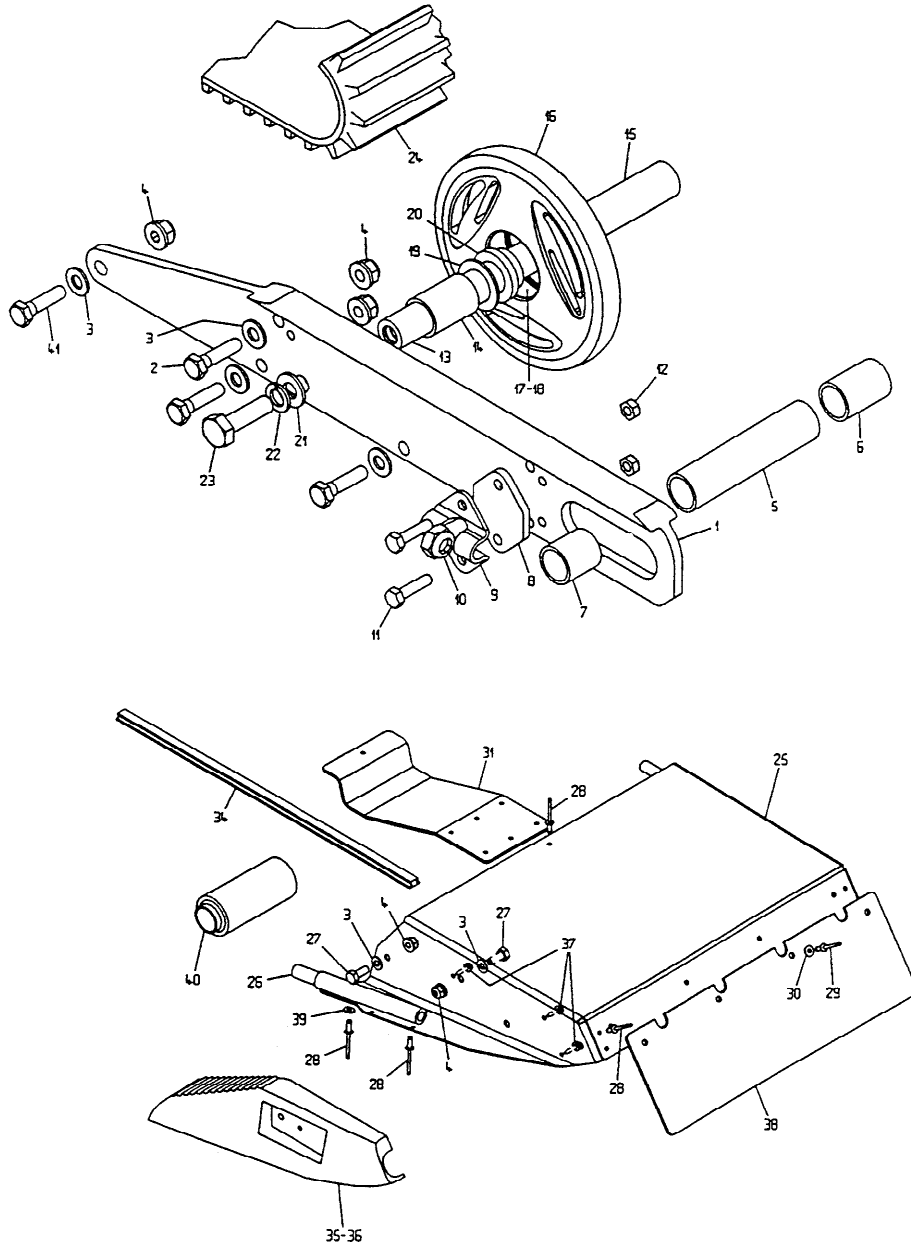
This kit is designed for deep snow application and is not recommended for vehicles other than the ones listed below:

- Mach Z 1997
- Mach I 1997
- Formula III 1997
- Formula Z 1997
- Formula 583 1997
- Formula 500 1997
- Formula 500 Deluxe 1997
- MX Z 440
- MX Z 583
- MX Z 670

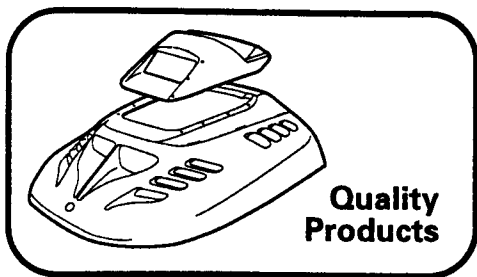
Please note that all extension kits ordered for 1997 Ski-Doo snowmobile models are eligible for our track exchange program. (See dealer binder p. 5-23 for details).

Item No.: 490000327  
Suggested Retail: \$1,149.50

You can place your order through your respective order desk.

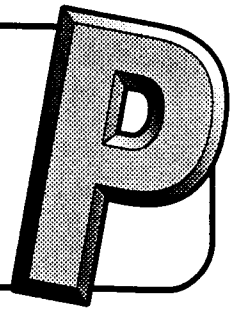


Bombardier Inc.  
Marketing - Parts and Accessories



**ski-doo®**

**Parts and  
Accessories**



**P-CL-96-05**

April 5, 1996

**MEMO TO:** ALL U.S. SKI-DOO SNOWMOBILE DEALERS

**ATTENTION:** PARTS MANAGER

**SUBJECT: CORRECTIONS TO THE 1997 SKI-DOO I/O PAD**

On the Initial Order pad for the 1997 Ski-Doo season, some changes have been made concerning accessories since its original publication.

Please make the following changes in your 1997 Initial Order Pad:

Page 4 Ski steel (wide) S-2000, P/N 505 0677 00, applies to Formula Z, 500 Deluxe and MX Z 440F.

Page 6 Track 15.0" x 121" (.912) 23.2 mm, P/N 570 2070 00, becomes P/N 570 2101 00, applies only to Formula 500, 500 Deluxe and MX Z 583.

Track 15.0" x 136" (.912) 23.2 mm, P/N 570 2072 00, becomes P/N 570 2100 00. No changes in applications.

Transmission 1 for/rev., P/N 860 4232 00, applies to Formula SL, S, MX Z 440F, Touring LE, E and E LT.

Transmission 1 for/rev., P/N 860 4233 00, applies to Formula Z, MX Z 670, 583, 440, Summit 670 and 583.

Transmission 1 for/rev., P/N 860 4234 00, only applies to Formula 583, 500 and Summit 500. Please delete following applications: Formula Z, SL and MX Z 440F.

Page 7 Please add backrest, P/N M5241698. This item applies to Skandic Wide Track.

Please add Mountain special kit, P/N M5240321. This item applies to Skandic Wide Track and Super Wide Track.

Please add Emergency brake, P/N M5340394. This item applies to Skandic Wide Track and Super Wide Track.

Please add Engine / hood protector bar, P/N M5340389. This item applies to Skandic Wide Track and Super Wide Track.

Deluxe, Please add plastic ski (fastener kit), P/N 860 6005 00. This item  
LE, E applies to Mach Z, Z LT, I, Formula III, III LT, Z, 583, 500, 500  
SL, S, Summit 670, 583, 500, GT SE, 583, 500, Touring SLE,  
and E LT.

Please add the following

Plastic ski black (narrow)	572 0904 00
Plastic ski pink (narrow)	572 0905 00
Plastic ski red (narrow)	572 0906 00
Plastic ski violet (narrow)	572 0907 00
Plastic ski yellow (narrow)	572 0908 00

These items apply to Mach Z, Z LT, I, Formula III, III LT, Z, 583, 500, 500 Deluxe, SL, S, Summit 670, 583, 500, GT SE, 583, 500, Touring SLE, LE, E and E LT.

Please add ski stance widening kit, P/N 860 5004 00, applies to Summit 670, 583 and 500.

Page 8 Prices on oil have changed as follows:  
Bombardier Formula XP-S Synthetic Oil  
P/N 413 7105 00

P/N 413 7110 00

Attached are the corrected pages that you can also use to fill out your order.

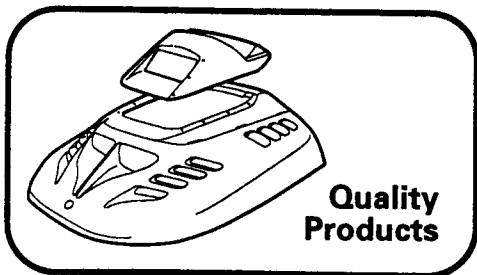
We are sorry for any inconvenience this may have caused.

Bombardier Inc.  
Marketing - Parts and Accessories

NEW	DESCRIPTION	MACH	FORMULA								MX				SUMMIT			GRAND TOURING & TOURING							UTILITY				NUMBER	QTY	DEALER PRICE	TOTAL \$	SUGGESTED RETAIL
		M M M	F F F F F F F F	M M M M	S S S	G G G T T T T T	S S T S S																										
		A A A	O O O O O O O O	X X X X	U U U	O O O O	K K U K K																										
		C C C	R R R R R R R R		M M M	T T T U U U U	A A N A A																										
Z Z 1	III III Z 583 500 500 SL S	Z Z Z Z	670 583 500	SE 583 500 SLE LE E E	500 380 R	DE	LT	A WT W																									
LT	LT					LUXE																											
809 809 699	599 599 583 583 494 494 503 377	670 583 440 440F	670 583 494	699 583 494 503 443 377 377	503 377 277 503 503																												
	Passenger footrest assembly kit	X X X	X X X																X X	861 7528 00													
N	Passenger footrest assembly kit (G. T.)	X X X	X X X											X X X	X X					861 7583 00													
	Protector tunnel kit				X X		X							X X X X	X X					861 7492 00													
	Seat (two passenger "piping red")	X X X	X X X																	414 8647 70													
	Seat (two passenger "piping" yellow)	X X X	X X X																	414 8743 70													
	Seat (Two-pass. with low back (red))	X X X	X X X																	414 8972 00													
	Seat (Two-pass. with low back (yellow))	X X X	X X X																	414 8971 00													
N	Side Winder kit (green)	X X X	X X X X X X X X	X X X X	X X X	X X X X X X X X	X X X X	X X X X X X X X	X X X X X X											861 7595 00													
N	Side Winder kit (yellow)	X X X	X X X X X X X X	X X X X	X X X	X X X X X X X X	X X X X	X X X X X X X X	X X X X X X											861 7596 00													
N	Ski liner (plastic)																		X	M5340865													
	Ski liner (plastic) (wide) (black F-2000)	X X X	X X X X						X X X	X X X										860 5002 00													
	Ski liner (plastic) (wide) (red F-2000)	X X X	X X X X						X X X	X X X										860 4224 00													
	Ski liner (plastic) (wide) (black S-2000)				X	X X X		X					X X X X	X X						572 0783 00													
	Ski liner (plastic) (wide) (red S-2000)				X	X X X		X					X X X X	X X						572 0743 00													
N	Ski stance widening kit								X X X											860 5004 00													
	Ski steel (narrow) F-2000	X X X	X X										X							505 0650 00													
	Ski steel (wide) F-2000	X X X	X X										X							505 0645 00													
N	Ski steel (wide) S-2000		X X					X												505 0677 00													
N	Ski (Plastic ski assembly (black))				X	X X X							X X X X							860 5005 00													
N	Replacement ski sole (for above (black))				X	X X X							X X X X							572 0857 00													

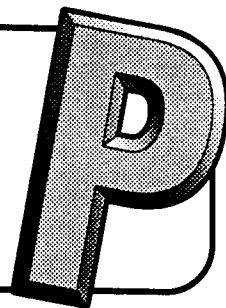
NEW	DESCRIPTION	MACH	FORMULA	MX	SUMMIT	GRAND TOURING & TOURING	UTILITY	NUMBER	QTY	DEALER PRICE	TOTAL \$	SUGGESTED RETAIL
		M M M	F F F F F F F F	M M M M	S S S	G G G T T T T T	S S T S S					
		A A A	O O O O O O O O	X X X X	U U U	O O O O	K K U K K					
		C C C	R R R R R R R R		M M M	T T T U U U U	A A N A A					
Z Z 1	III III Z 583 500 500 SL S	Z Z Z Z	670 583 500	SE 583 500 SLE LE E E	500 380 R	LT	A WT W					
LT	LT	DR										
	809 809 699	599 599 583 583 494 494 503 377	670 583 440 440	670 583 494	699 583 494 503 443 377 377	503 377 277 503 503						
	Slider Shoe C-7 (red)			PREVIOUS YEARS				560 1015 00				
	Slider Shoe C-7 (violet)			PREVIOUS YEARS				560 1017 00				
	Slider Shoe C-7 (yellow)			PREVIOUS YEARS				560 1016 00				
N	Slider Shoe SC-10 (black)	X X X	X X X X X X X X	X X X X	X X X	X X X X X X X X	X X	560 3149 00				
N	Slider Shoe SC-10 (pink)	X X X	X X X X X X X X	X X X X	X X X	X X X X X X X X	X X	560 1028 00				
N	Slider Shoe SC-10 (red)	X X X	X X X X X X X X	X X X X	X X X	X X X X X X X X	X X	560 1030 00				
N	Slider Shoe SC-10 (violet)	X X X	X X X X X X X X	X X X X	X X X	X X X X X X X X	X X	560 1029 00				
N	Slider Shoe SC-10 (yellow)	X X X	X X X X X X X X	X X X X	X X X	X X X X X X X X	X X	560 1031 00				
N	Track extension kit (SC-10)	X X	X X X X	X X X				861 7594 00				
	Track 15.0" x 121" (1.45) 36.8 mm	X X	X X	X X X				861 7535 00				
	Track 15.0" x 121" (.912) 23.2 mm		X X	X				570 2101 00				
	Track 15.0" x 136" (1.45) 36.8 mm	X	X					861 7532 00				
	Track 15.0" x 136" (.912) 23.2 mm				X X X			570 2100 00				
N	Track Lock	X X X	X X X X X X X X	X X X X	X X X	X X X X X X X X	X X X X X	415 0253 00				
N	Transmission 1 for/rev	X X X	X X					860 4231 00				
N	Transmission 1 for/rev			X X	X	X X X		860 4232 00				
N	Transmission 1 for/rev		X	X X X	X X			860 4233 00				
N	Transmission 1 for/rev		X X		X			860 4234 00				
	Windshield (High)	X X X	X X X X X	X X X X	X X X			414 9391 00				
	Windshield (High)		X X					415 0350 10				

NEW	DESCRIPTION	MACH	FORMULA	MX	SUMMIT	GRAND TOURING & TOURING	UTILITY	NUMBER	QTY	DEALER PRICE	TOTAL \$	SUGGESTED RETAIL
		M M M	F F F F F F F F	M M M M	S S S	G G G T T T T	S S T S S					
		A A A	O O O O O O O O	X X X X	U U U	O O O O	K K U K K					
		C C C	R R R R R R R R		M M M	T T T U U U U	A A N A A					
Z Z 1	III III Z 583 500 500 SL S	Z Z Z Z	670 583 500	SE 583 500 SLE LE E E	500 380 R <sup>SLIDER</sup>	D N N						
LT	LT          DE LUXE			LT	A WT W							
809 809 699	599 599 583 583 494 494 503 377	670 583 440 440F	670 583 494	699 583 494 503 443 377 377	503 377 277 503 503							
	Windshield (High)						X	414 6478 00				
	Windshield (Low)		X			X X X		414 7959 00				
	Windshield (Low)					X X X X	X X	414 8873 00				
N	Windshield (Medium)	X X X	X X X X X X X	X X X X	X X X	X X X		415 0505 00				
N	Backrest						X	M5241698				
N	Mountain Special Kit						X X	M5240321				
N	Emergency Brake						X X	M5340394				
N	Engine / Hood Protector Bar						X X	M5340389				
N	Plastic Ski (Fastener Kit)	X X X	X X X X X X X X		X X X	X X X X X X X X		860 6005 00				
N	Plastic Ski Black (Narrow)	X X X	X X X X X X X X		X X X	X X X X X X X X		572 0904 00				
N	Plastic Ski Pink (Narrow)	X X X	X X X X X X X X		X X X	X X X X X X X X		572 0905 00				
N	Plastic Ski Red (Narrow)	X X X	X X X X X X X X		X X X	X X X X X X X X		572 0906 00				
N	Plastic Ski Violet (Narrow)	X X X	X X X X X X X X		X X X	X X X X X X X X		572 0907 00				
N	Plastic Ski Yellow (Narrow)	X X X	X X X X X X X X		X X X	X X X X X X X X		572 0908 00				
	Ski Stance Widening Kit				X X X			860 5004 00				



**ski-doo®**

**Parts and  
Accessories**



**P-CL-96-05**

April 5, 1996

**MEMO TO: ALL CANADIAN SKI-DOO SNOWMOBILE DEALERS**

**ATTENTION: PARTS MANAGER**

**SUBJECT: CORRECTIONS TO THE 1997 SKI-DOO I/O PAD**

On the Initial Order pad for the 1997 Ski-Doo season, some changes have been made concerning accessories since its original publication.

Please make the following changes in your 1997 Initial Order Pad:

**Page 4** Ski steel (wide) S-2000, P/N 505 0677 00, applies to Formula Z, 500 Deluxe and MX Z 440F.

**Page 6** Track 15.0" x 121" (.912) 23.2 mm, P/N 570 2070 00, becomes P/N 570 2101 00, applies only to Formula 500, 500 Deluxe and MX Z 583.

Track 15.0" x 136" (.912) 23.2 mm, P/N 570 2072 00, becomes P/N 570 2100 00. No changes in applications.

Transmission 1 for/rev., P/N 860 4232 00, applies to Formula SL, S, MX Z 440F, Touring LE, E and E LT.

Transmission 1 for/rev., P/N 860 4233 00, applies to Formula Z, MX Z 670, 583, 440, Summit 670 and 583.

Transmission 1 for/rev., P/N 860 4234 00, only applies to Formula 583, 500 and Summit 500. Please delete following applications: Formula Z, SL and MX Z 440F.



Page 7 Please add backrest, P/N M5241698. This item applies to Skandic Wide Track.

Please add Mountain special kit, P/N M5240321. This item applies to Skandic Wide Track and Super Wide Track.

Please add Emergency brake, P/N M5340394. This item applies to Skandic Wide Track and Super Wide Track.

Please add Engine / hood protector bar, P/N M5340389. This item applies to Skandic Wide Track and Super Wide Track.

Please add plastic ski (fastener kit), P/N 860 6005 00. This item applies to Mach Z, Z LT, I, Formula III, III LT, Z, 583, 500, 500 Deluxe, LE, E, SL, S, Summit 670, 583, 500, GT SE, 583, 500, Touring SLE, and E LT.

Please add the following

Plastic ski black (narrow)	572 0904 00
Plastic ski pink (narrow)	572 0905 00
Plastic ski red (narrow)	572 0906 00
Plastic ski violet (narrow)	572 0907 00
Plastic ski yellow (narrow)	572 0908 00

These items apply to Mach Z, Z LT, I, Formula III, III LT, Z, 583, 500, 500 Deluxe, SL, S, Summit 670, 583, 500, GT SE, 583, 500, Touring SLE, LE, E and E LT.

Please add ski stance widening kit, P/N 860 5004 00, applies to Summit 670, 583 and 500.

Page 8 Prices on oil have changed as follows:  
Bombardier Formula XP-S Synthetic Oil  
 P/N 413 7105 00

P/N 413 7110 00

Attached are the corrected pages that you can also use to fill out your order.

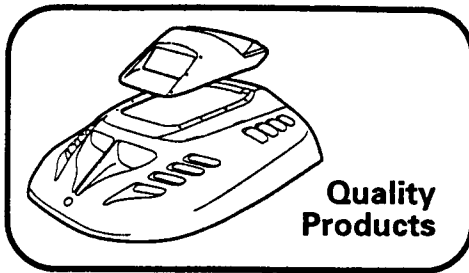
We are sorry for any inconvenience this may have caused.

Bombardier Inc.  
 Marketing - Parts and Accessories



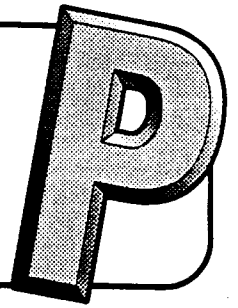
NEW	DESCRIPTION	MACH	FORMULA	MX	SUMMIT	GRAND TOURING & TOURING	UTILITY	NUMBER	QTY	DEALER PRICE	TOTAL \$	SUGGESTED RETAIL
		M M M	F F F F F F F F	M M M M	S S S	G G G T T T T T	S S T S S					
		A A A	O O O O O O O O	X X X X	U U U	O O O O	K K U K K					
		C C C	R R R R R R R R		M M M	T T T U U U U	A A N A A					
Z Z 1	III III Z 583 500 500 SL S	Z Z Z Z	670 583 500	SE 583 500 SLE LE E E	500 380 R	D N N						
LT	LT DE			LT	A WT W							
	809 809 699	599 599 583 583 494 494 503 377	670 583 440 440 F	670 583 494	699 583 494 503 443 377 377	503 377 277 503 503						
	Slider Shoe C-7 (red)			PREVIOUS YEARS				560 1015 00				
	Slider Shoe C-7 (violet)			PREVIOUS YEARS				560 1017 00				
	Slider Shoe C-7 (yellow)			PREVIOUS YEARS				560 1016 00				
N	Slider Shoe SC-10 (black)	X X X	X X X X X X X X	X X X X	X X X	X X X X X X X	X X	560 3149 00				
N	Slider Shoe SC-10 (pink)	X X X	X X X X X X X X	X X X X	X X X	X X X X X X X	X X	560 1028 00				
N	Slider Shoe SC-10 (red)	X X X	X X X X X X X X	X X X X	X X X	X X X X X X X	X X	560 1030 00				
N	Slider Shoe SC-10 (violet)	X X X	X X X X X X X X	X X X X	X X X	X X X X X X X	X X	560 1029 00				
N	Slider Shoe SC-10 (yellow)	X X X	X X X X X X X X	X X X X	X X X	X X X X X X X	X X	560 1031 00				
N	Track extension kit (SC-10)	X X	X X X X	X X X				861 7594 00				
	Track 15.0" x 121" (1.45) 36.8 mm	X X	X X	X X X				861 7535 00				
	Track 15.0" x 121" (.912) 23.2 mm		X X	X				570 2101 00				
	Track 15.0" x 136" (1.45) 36.8 mm	X	X					861 7532 00				
	Track 15.0" x 136" (.912) 23.2 mm				X X X			570 2100 00				
N	Track Lock	X X X	X X X X X X X X	X X X X	X X X	X X X X X X X	X X X X X	415 0253 00				
N	Transmission 1 for/rev	X X X	X X					860 4231 00				
N	Transmission 1 for/rev			X X	X	X X X		860 4232 00				
N	Transmission 1 for/rev		X	X X X	X X			860 4233 00				
N	Transmission 1 for/rev		X X		X			860 4234 00				
	Windshield (High)	X X X	X X X X X	X X X X	X X X			414 9391 00				
	Windshield (High)		X X					415 0350 10				

NEW	DESCRIPTION	MACH	FORMULA	MX	SUMMIT	GRAND TOURING & TOURING	UTILITY	NUMBER	QTY	DEALER PRICE	TOTAL \$	SUGGESTED RETAIL
		M M M	F F F F F F F F	M M M M	S S S	G G G T T T T	S S T S S					
		A A A	O O O O O O O O	X X X X	U U U	O O O O	K K U K K					
		C C C	R R R R R R R R		M M M	T T T U U U U	A A N A A					
Z Z 1	III III Z 583 500 500 SL S	Z Z Z Z	670 583 500	SE 583 500 SLE LE E E	500 380 R <sup>SLIDER</sup>	D N N						
LT	LT          DE LUXE			LT	A W T W							
809 809 699	599 599 583 583 494 494 503 377	670 583 440 440F	670 583 494	699 583 494 503 443 377 377	503 377 277 503 503							
	Windshield (High)						X	414 6478 00				
	Windshield (Low)		X			X X X		414 7959 00				
	Windshield (Low)					X X X X	X X	414 8873 00				
N	Windshield (Medium)	X X X	X X X X X X X	X X X X	X X X	X X X		415 0505 00				
N	Backrest						X	M5241698				
N	Mountain Special Kit						X X	M5240321				
N	Emergency Brake						X X	M5340394				
N	Engine / Hood Protector Bar						X X	M5340389				
N	Plastic Ski (Fastener Kit)	X X X	X X X X X X X X		X X X	X X X X X X X X		860 6005 00				
N	Plastic Ski Black (Narrow)	X X X	X X X X X X X X		X X X	X X X X X X X X		572 0904 00				
N	Plastic Ski Pink (Narrow)	X X X	X X X X X X X X		X X X	X X X X X X X X		572 0905 00				
N	Plastic Ski Red (Narrow)	X X X	X X X X X X X X		X X X	X X X X X X X X		572 0906 00				
N	Plastic Ski Violet (Narrow)	X X X	X X X X X X X X		X X X	X X X X X X X X		572 0907 00				
N	Plastic Ski Yellow (Narrow)	X X X	X X X X X X X X		X X X	X X X X X X X X		572 0908 00				
	Ski Stance Widening Kit				X X X			860 5004 00				



**ski-doo®**

**Parts and  
Accessories**



**P-CL-96-06**

April 5, 1996

**MEMO TO: ALL U.S. SKI-DOO SNOWMOBILE DEALERS**

**ATTENTION: PARTS & SERVICE MANAGER**

**SUBJECT: PARTS AND ACCESSORIES STORE DISPLAY UNIT**

Following Club Ski-Doo '97, we would simply like to remind you that we now have a parts and accessories store display unit available.

Slight modifications have been made to give dealers a wider variety.

1. P/N 480 7286 00: the dimensions have changed to 52"W x 82"H x 16"D and 10 hooks have been added for a total of 30 hooks.
2. P/N 480 7289 00: A double sided display has been added.
3. P/N 480 7290 00: Package of extra hooks have been added.

You will find herewith the order form for this display. Take advantage of your parts initial order freight benefits by ordering your display at the same time.

Please note that the prices on the order form are effective until May 31, 1996. Prices are subject to change as follows after the aforementioned date:

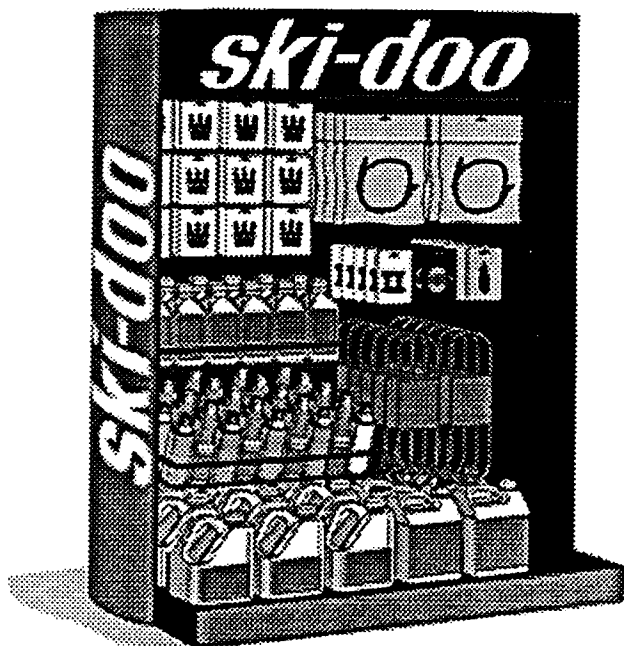
P/N 480 7286 00      Merchandising Unit

Bombardier Inc.  
Marketing Parts & Accessories

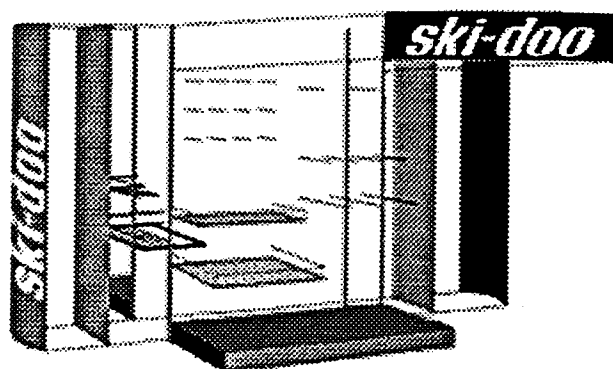
## NEW PARTS AND ACCESSORIES STORE DISPLAY UNIT ORDER FORM

Dress up your store's merchandising area with this new Ski-Doo parts, accessories and oil display unit. Increases your sales and inventory turn-over.

Easy-to-install, very versatile, it can be used as a single unit by placing two or three side by side or order our retrofit kit and place them back to back. For the dual dealers that also carry our Sea-Doo products, you can order Sea-Doo panels to convert from one to the other according to your sales season.



View of a single unit  
back unit



View of a double back to

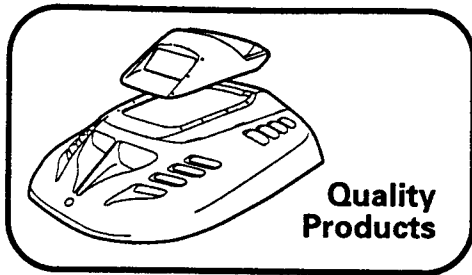
PART NUMBER	DESCRIPTION	UNIT PRICE	QTY	TOTAL
480 7286 00	Complete merchandising unit with shelves and 30 hooks. 52"W x 82"H x 16"D one shelf 24" x 12" other shelf 16" x 6"			
480 7287 00	Retrofit Kit Enables you to convert single unit to a double back to back unit			
219 700 073	Sea-Doo Panels			
480 7288 00	Extra Wire Shelves, kit of 2 one shelf 24" x 12" other shelf 16" x 6"			
480 7289 00	Double Sided Display 52"W x 60"H x 16"D 50 hooks 2 shelves 24" x 12" 2 shelves 16" x 6"			
480 7290 00	Extra Hooks Package of 10 6" loop hooks			

Dealer Name: \_\_\_\_\_ Dealer Number: \_\_\_\_\_

Telephone: \_\_\_\_\_ Fax: \_\_\_\_\_

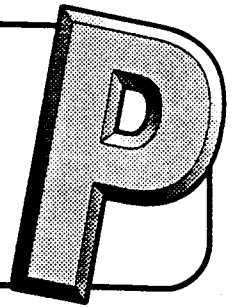
Purchase Order Number: \_\_\_\_\_ Date: \_\_\_\_\_

Signature: \_\_\_\_\_



**ski-doo®**

**Parts and  
Accessories**



**P-CL-96-06**

April 5, 1996

**MEMO TO:** ALL CANADIAN SKI-DOO SNOWMOBILE DEALERS  
**ATTENTION:** PARTS & SERVICE MANAGER

**SUBJECT:** PARTS AND ACCESSORIES STORE DISPLAY UNIT

Following Club Ski-Doo '97, we would simply like to remind you that we now have a parts and accessories store display unit available.

Slight modifications have been made to give dealers a wider variety.

1. P/N 480 7286 00: the dimensions have changed to 52"W x 82"H x 16"D and 10 hooks have been added for a total of 30 hooks.
2. P/N 480 7289 00: A double sided display has been added.
3. P/N 480 7290 00: Package of extra hooks have been added.

You will find herewith the order form for this display. Take advantage of your parts initial order freight benefits by ordering your display at the same time.

Please note that the prices on the order form are effective until May 31, 1996. Prices are subject to change as follows after the aforementioned date:

P/N 480 7286 00      Merchandising Unit

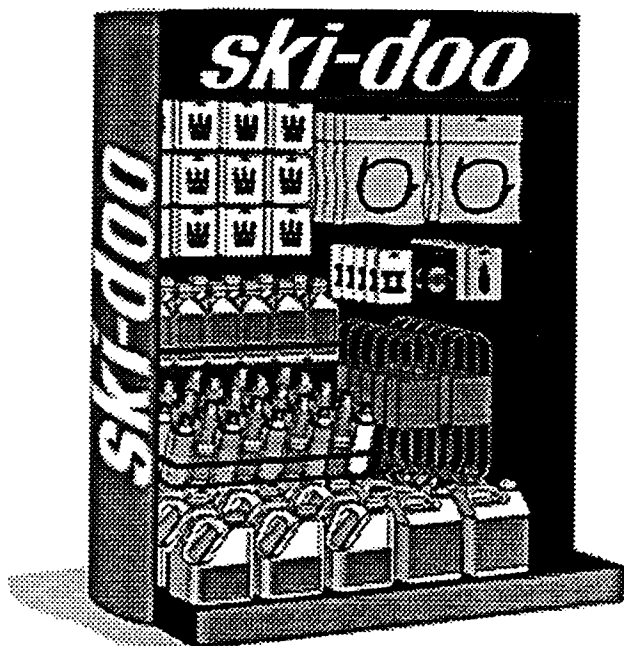
Bombardier Inc.  
Marketing Parts & Accessories



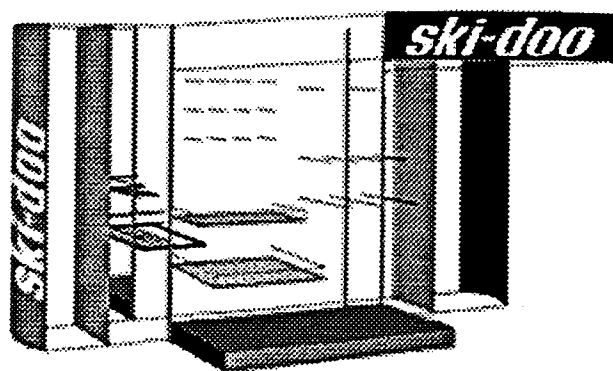
## NEW PARTS AND ACCESSORIES STORE DISPLAY UNIT ORDER FORM

Dress up your store's merchandising area with this new Ski-Doo parts, accessories and oil display unit. Increases your sales and inventory turn-over.

Easy-to-install, very versatile, it can be used as a single unit by placing two or three side by side or order our retrofit kit and place them back to back. For the dual dealers that also carry our Sea-Doo products, you can order Sea-Doo panels to convert from one to the other according to your sales season.



View of a single unit  
back unit



View of a double back to

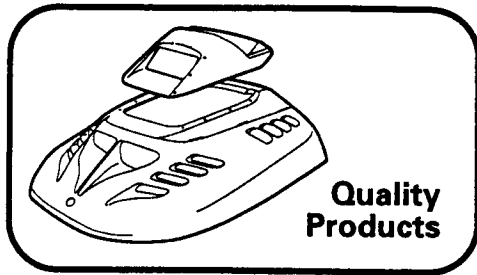
PART NUMBER	DESCRIPTION	UNIT PRICE	QTY	TOTAL
480 7286 00	Complete merchandising unit with shelves and 30 hooks. 52"W x 82"H x 16"D one shelf 24" x 12" other shelf 16" x 6"			
480 7287 00	Retrofit Kit Enables you to convert single unit to a double back to back unit			
219 700 073	Sea-Doo Panels			
480 7288 00	Extra Wire Shelves, kit of 2 one shelf 24" x 12" other shelf 16" x 6"			
480 7289 00	Double Sided Display 52"W x 60"H x 16"D 50 hooks 2 shelves 24" x 12" 2 shelves 16" x 6"			
480 7290 00	Extra Hooks Package of 10 6" loop hooks			

Dealer Name: \_\_\_\_\_ Dealer Number: \_\_\_\_\_

Telephone: \_\_\_\_\_ Fax: \_\_\_\_\_

Purchase Order Number: \_\_\_\_\_ Date: \_\_\_\_\_

Signature: \_\_\_\_\_



P-CL-96-07

April 5, 1996

MEMO TO: ALL U.S. SKI-DOO SNOWMOBILE DEALERS

ATTENTION: PARTS MANAGER

**SUBJECT: NEW 1997 SKI DOO PARTS**

To improve our service, you will find herewith a listing of the new 1997 Ski-Doo parts.

You can include these parts on your booking order. Attached are the pages that you can use to fill out your order.

Bombardier Inc.  
Marketing - Parts and Accessories

## NEW 1997 SKI-DOO PARTS

Part Number No. de Pièce	Description	Application	Qty Qté	Dealer Price Prix Conc.	Total	Sugg Retail Détail Sugg
400205800	MOTEUR 277 *ENGINE-277	Tundra II LT		1 123,48 \$		1 498,00 \$
400308500	MOTEUR 377 *ENGINE-377	Formula S, Touring E, E LT		1 408,78 \$		1 878,50 \$
400308600	MOTEUR 377 *ENGINE-377	Skandic 380		1 408,78 \$		1 878,50 \$
400407800	MOTEUR 443 *ENGINE-443	MX Z 440F, Touring LE		T.B.A		T.B.A.
400408000	MOTEUR 454 *ENGINE-454	MX Z 440		2 119,53 \$		2 826,50 \$
400408100	MOTEUR 494 *ENGINE-494	Summit 500		1 691,33 \$		2 255,50 \$
400408200	MOTEUR 494 *ENGINE-494	Formula 500 Deluxe, GT 500		1 691,33 \$		2 255,50 \$
400408400	MOTEUR 494 *ENGINE-494	Formula 500		1 691,33 \$		2 255,50 \$
400507400	MOTEUR 503 *ENGINE-503	Formula SL, Skandic 500		1 515,52 \$		2 020,95 \$
400507700	MOTEUR 583 *ENGINE-583	GT 583		2 086,11 \$		2 781,50 \$
400507800	MOTEUR 583 *ENGINE-583	Formula Z, 583		2 086,11 \$		2 781,50 \$
400507900	MOTEUR 583 *ENGINE-583	Summit 583		2 086,11 \$		2 781,50 \$
400508000	MOTEUR 583 *ENGINE-583	MX Z 583		2 086,11 \$		2 781,50 \$
400508100	MOTEUR 503 *ENGINE-503	Touring SLE		1 515,52 \$		2 020,95 \$
400508300	MOTEUR 599 *ENGINE-599	Formula III, III LT		2 800,35 \$		3 733,95 \$
400602700	MOTEUR 670 *ENGINE-670	Summit 670		2 246,71 \$		2 995,95 \$
400602800	MOTEUR 670 *ENGINE-670	MX Z 670		2 246,71 \$		2 995,95 \$
400602900	MOTEUR 699 *ENGINE-699	Mach I		2 831,30 \$		3 775,50 \$
400603000	MOTEUR 699 *ENGINE-699	GT SE		2 831,30 \$		3 775,50 \$
400800100	MOTEUR 809 *ENGINE-809	Mach Z, Z LT		2 869,68 \$		3 826,50 \$
403127200	CARB.VM-30 *CARB-VM-30	Formula S, Touring E, E LT, Skandic 380		68,60 \$		114,50 \$
403127400	CARB.VM-34 PTO *CARB-VM-34 PTO	Formula SL, Touring SLE, Skandic 500		73,64 \$		122,95 \$
403127500	CARB.VM-34 MAG *CARB-VM-34 MAG	Formula SL, Touring SLE, Skandic 500		73,64 \$		122,95 \$
403128600	CARB.VM-36 PTO *CARB-VM-36 PTO	Formula III, III LT		95,90 \$		159,95 \$
403128700	CARB.VM-36 CENT *CARB-VM-36 CEN	Formula III, III LT		95,90 \$		159,95 \$
403128800	CARB.VM-36 MAG *CARB-VM-36 MAG	Formula III, III LT		95,90 \$		159,95 \$
403128900	CARB.VM-38 PTO *CARB-VM-38 PTO	GT SE		93,87 \$		156,50 \$
403129000	CARB.VM-38 CENT *CARB-VM-38 CEN	GT SE		93,87 \$		156,50 \$
403129100	CARB.VM-38 MAG *CARB-VM-38 MAG	GT SE		93,87 \$		156,50 \$
403129200	CARB.VM-38 PTO *CARB-VM-38 PTO	Mach I		93,87 \$		156,50 \$
403129300	CARB.VM-38 CENT *CARB-VM-38 CEN	Mach I		93,87 \$		156,50 \$
403129400	CARB.VM-38 MAG *CARB-VM-38 MAG	Mach I		93,87 \$		156,50 \$
403129500	CARB.TM-38 *CARB-TM-38	Mach Z, Z LT		528,40 \$		621,95 \$
403129600	CARB.VM-40 PTO *CARB-VM-40 PTO	Formula Z, MX Z 583		118,00 \$		196,95 \$
403129700	CARB.VM-40 MAG *CARB-VM-40 MAG	Formula Z, MX Z 583		118,00 \$		196,95 \$
403130000	CARB.VM-38 PTO *CARB-VM-38 PTO	Formula 500, 500 Deluxe, GT 500		93,87 \$		156,50 \$
403130100	CARB.VM-38 MAG *CARB-VM-38 MAG	Formula 500, 500 Deluxe, GT 500		93,87 \$		156,50 \$

## NEW 1997 SKI-DOO PARTS

Part Number No. de Pièce	Description	Application	Qty Qté	Dealer Price Prix Conc.	Total	Sugg Retail Détail Sugg.
403130200	CARB.VM-34 PTO *CARB-VM-34 PTO	MX Z 440F		73,64 \$		122,95 \$
403130300	CARB.VM-34 MAG *CARB-VM-34 MAG	MX Z 440F		73,64 \$		122,95 \$
403130400	CARB.VM-38 PTO *CARB-VM-38 PTO	Formula 583, GT 583		93,87 \$		156,50 \$
403130500	CARB.VM-38 MAG *CARB-VM-38 MAG	Formula 583, GT 583		93,87 \$		156,50 \$
410111200	INTER.ALLUMAGE *SWITCH-IGNIT.	For SL, S, MX Z 670, 583, 440, 440F, Skandic 500, 380, Tundra II LT		11,25 \$		18,95 \$
410111300	INTER.ALLUMAGE *SWITCH-IGNIT.	Mach Z, ZLT, I, For III, III LT, Z, 583, 500, 500 deluxe, Summit 670, 583, 500 GT SE, 583, 500, Touring SLE, LE, E, E LT		11,25 \$		18,95 \$
410111400	LAMPE TEMOIN *LAMP-PILOT	GT SE		2,46 \$		4,10 \$
410111500	INTER.COMPRESS.*SWITCH-COMPRES.	GT SE		2,72 \$		4,60 \$
410212700	INVERSEUR *SWITCH-DIMMER	Tundra II LT		7,05 \$		11,95 \$
414792102	ALARME AC. *ALARM-AC.	Skandic 500, 380		22,35 \$		37,50 \$
414805102	ALARME DC *ALARM-DC	Formula 500 Deluxe, GT 583, 500, Touring SLE		17,17 \$		28,95 \$
414968501	MOULURE PARE-CH*MOLDING-BUMPER	GT SE		1,17 \$		2,00 \$
415024200	DECALQUE ROTAX *DECAL-ROTAX	Mach I		2,64 \$		4,40 \$
415025000	DECAL. R.A.V.E.*DECAL-R.A.V.E.	Mach Z, Z LT, I		1,76 \$		2,95 \$
415025700	BANDE DECOR. *PIN-STRIFE	Mach Z, Z LT, I, Formula III, III LT		1,12 \$		1,90 \$
415033000	AMORTISSEUR *SHOCK	Mach I		75,62 \$		126,50 \$
415033100	AMORTISSEUR *SHOCK	Mach Z, Formula III, MX Z 670, 583		75,62 \$		126,50 \$
415033200	AMORTISSEUR *SHOCK	Mach Z LT, Formula III LT, Z		26,99 \$		45,00 \$
415033300	AMORTISSEUR *SHOCK	Formula 583, 500, 500 Deluxe, MX Z 400F, Summit 670, 583, 500, GT 583, 500 Touring SLE		26,99 \$		45,00 \$
415033400	AMORTISSEUR *SHOCK	Mach Z LT, Formula III LT		26,99 \$		45,00 \$
415033500	AMORTISSEUR *SHOCK	Mach I		75,62 \$		126,50 \$
415033600	AMORTISSEUR *SHOCK	Mach I		75,62 \$		126,50 \$
415034000	IND.VITESSE KM *SPEEDOMETER KM	Mach Z, Z LT, I, For III, III LT, Z, MX Z 670, 583, 440, 440F, Summit 670, 583, 500 GT SE, 583, 500		56,63 \$		94,50 \$
415034200	COMPTE-TOURS *TACHOMETER	Mach Z, Z LT, I, For III, III LT, Z, MX Z 670, 583, 440, 440F, Summit 670, 583, 500 GT SE, 583, 500		89,55 \$		149,50 \$
415034500	ETRIER *CALIPER	For 583, 500, 500 Deluxe, SL, MX Z 440F, Summit 583, 500, GT 583, 500 Touring SLE, LE		80,07 \$		133,50 \$
415034600	MAITRE CYLINDRE*MASTER-CYLIND.	Mach Z, Z LT, I, For III, III LT, Z, 583, 500, SL, MX Z 670, 583, 440, 440F Summit 670, 583, 500, GT SE, 583, 500, Touring SLE, LE		76,99 \$		128,50 \$
415035400	AMORTISSEUR *SHOCK	Formula SL, S, Touring LE, E, E LT		26,99 \$		45,00 \$
415035500	RESSORT *SPRING SUSPENSION JAUNE / YELLOW	Mach Z LT, MX Z 440F		9,54 \$		15,95 \$
415035600	RESSORT *SPRING SUSPENSION BLEU/BLUE	Summit 670, 583, 500		8,38 \$		14,00 \$

## NEW 1997 SKI-DOO PARTS

Part Number No. de Pièce	Description	Application	Qty Qté	Dealer Price Prix Conc.	Total	Segg Retail Détail Sugg.
415035700	RESSORT *SPRING SUSPENSION BLEU/BLUE	GT SE		9,54 \$		15,95 \$
415035800	RESSORT *SPRING SUSPENSION VERT/GREEN	GT 583, 500		6,49 \$		15,95 \$
415035900	RESSORT *SPRING SUSPENSION NOIR/BLACK	Touring SLE, LE, E, E LT		8,38 \$		14,00 \$
415036500	ANNEAU ETANCHE*SEAL CAPOT/HOOD	Formula SL, MX Z 440F, Touring SLE, Skandic 500		3,18 \$		5,50 \$
415036603	HOUSSE DE SIEGE*COVER-SEAT	Formula 583, 500, 500 Deluxe, SL, S		118,07 \$		157,50 \$
415036703	HOUSSE DE SIEGE*COVER-SEAT	Touring SLE, LE, E LT		141,48 \$		235,95 \$
415036800	DOSSIER SIEGE *BACKREST-SEAT	Touring SLE, LE, E LT, Skandic 500, 380		84,01 \$		129,50 \$
415037800	LOGO BOMBARDIER*LOGO-BOMB.	All 1997 models except/Tous les modèles 1997 sauf Tundra		1,30 \$		2,20 \$
415038500	RESSORT *SPRING SUSPENSION ROUGE/RED	Formula III		7,80 \$		13,50 \$
415038600	AMORTISSEUR AIR*SHOCK-AIR	GT SE		65,24 \$		108,95 \$
415039200	AMORTISSEUR *SHOCK	Mach Z, Formula III, MX Z 670, 583, GT 583		98,27 \$		163,95 \$
415039300	AMORTISSEUR *SHOCK	MX Z 670, 583, 440		148,77 \$		247,95 \$
415039500	COUSSINET *CUSHION	Mach Z, Z LT, I, Formula III, III LT, MX Z 670, 583, 440		0,31 \$		0,55 \$
415040200	AMORTISSEUR *SHOCK	Mach Z LT, For III LT, Z, 583, 500, 500 Deluxe, MX Z 440F, GT SE, 583, 500		26,99 \$		45,00 \$
415040300	AMORTISSEUR *SHOCK	Summit 670, 583, 500		26,99 \$		45,00 \$
415040400	AMORTISSEUR *SHOCK	Formula Z		26,99 \$		45,00 \$
415040500	AMORTISSEUR *SHOCK	Formula 583, 500, 500 Deluxe, MX Z 440F, Summit 670, 583, 500		26,99 \$		45,00 \$
415040600	AMORTISSEUR *SHOCK	GT 583, 500, Touring SLE		26,99 \$		45,00 \$
415041100	COUSSINET *CUSHION	Mach Z, Z LT, I, For III, III LT, Z, 583, 500, 500 Deluxe, MX Z 670, 583, 440, 440F Summit 670, 583, 500, GT SE, 583, 500		0,78 \$		1,30 \$
415041200	BOITIER LUMIERE*HOUSING-LAMP	GT SE, 583, 500		10,74 \$		17,95 \$
415042300	JOINT ROTULE *JOINT-BALL	Mach Z, Z LT, I, Formula III, III LT, MX Z 670, 583, 440		12,36 \$		20,95 \$
415042500	JOINT ROTULE DR*JOINT-BALL RH	Mach Z, Z LT, I, Formula III, III LT, Z, MX Z 670, 583, 440		12,36 \$		20,95 \$
415042800	INDICATEUR TEMP*GAGE-TEMP.	Mach Z, Z LT, I, Formula III, III LT, Z, GT SE, 583, 500		28,50 \$		47,50 \$
415042900	INDICATEUR ESS.*GAUGE-FUEL	Mach Z, Z LT, I, Formula III, III LT, Z, GT SE, 583, 500		28,50 \$		47,50 \$
415043100	COUR.LANCEMENT *GEAR-RING 86TH	Formula 500 Deluxe, GT SE, 583, 500, Touring SLE, LE		63,96 \$		106,95 \$
415043300	RESSORT *SPRING CAPOT/HOOD	For Z, 583, 500, 500 Deluxe, SL, S, MX Z 670, 583, 440, 440F, Summit 670, 583, 500 GT 583, 500, Touring SLE, LE, E, E LT, Skandic 500, 380		0,35 \$		0,60 \$
415043400	COMPRESSEUR *COMPRESSOR	GT SE		142,81 \$		238,50 \$
415043500	IND.PRESSION *GAUGE-PRESSURE	GT SE		23,78 \$		39,95 \$
415043502	SUPPORT BOITIER*HOLDER-CASE	GT SE		5,69 \$		9,50 \$
415043600	CAPTEUR PRESSIO*SENDER-PRESSUR	GT SE		34,04 \$		56,95 \$

## NEW 1997 SKI-DOO PARTS

Part Number No. de Pièce	Description	Application	Qty Qté	Dealer Price Prix Conc.	Total	Sugg Retail Détail Sugg
415043700	VALVE ECHAPP. *VALVE-RELEASE	GT SE		38,07 \$		63,50 \$
415044100	RESSORT *SPRING	For Z, 583, 500, 500 Deluxe, MX Z 670, 583, 440, Summit 670, 583, 500, GT 583, 500		0,29 \$		0,50 \$
415044500	DOSSIER ASS. *BACKREST-ASSY.	GT 583, 500		119,01 \$		198,50 \$
415044600	DOSSIER ASS. *BACKREST-ASSY.	GT SE		166,62 \$		277,95 \$
415044800	MOUSSE ETANCH. *FOAM-SEALING	For Z, 583, 500, 500 Deluxe, MX Z 670, 583, 440, 440F, Summit 670, 583, 500 GT 583, 500		5,69 \$		9,50 \$
415047900	LOGEMENT INTER.*HOUSING-SWITCH	GT SE		T.B.A.		T.B.A.
415048800	BOUCHON RES.ESS*CAP-FUEL TANK	MX Z 670, 583		13,66 \$		22,95 \$
415049400	AMORTISSEUR AV.*SHOCK-FRONT	Touring SLE		26,99 \$		45,00 \$
415049900	INTER.FREIN *SWITCH-BRAKE	Formula S, Touring E, E LT, Skandic 500, 380		3,76 \$		6,50 \$
415050000	INVERSEUR *SWITCH-DIMMER	Formula S, Touring E, E LT, Skandic 500, 380		7,05 \$		11,95 \$
415050600	ENS.DECAL.CAPOT*KIT-DECAL HOOD	Formula SL		24,26 \$		40,50 \$
415050700	ENS.DECAL.BRAS *KIT-DECAL ARM	Formula Z, 583, SL, S		3,45 \$		5,75 \$
415050800	ENS.DECAL.CAPOT*KIT-DECAL HOOD	Formula SL		58,10 \$		96,95 \$
415052000	ENS.DECAL.CAPOT*KIT-DECAL HOOD	Formula S		24,26 \$		40,50 \$
415052100	ENS.DECAL.CAPOT*KIT-DECAL HOOD	Formula S		52,61 \$		87,95 \$
415052600	MODULE ALLUM.AS*MODULE-IGNIT.A	GT SE		128,53 \$		214,50 \$
415052700	CAME *CAM	Mach I		2,33 \$		3,90 \$
415052800	GUIDE RESSORT *GUIDE-SPRING	Mach I		0,29 \$		0,50 \$
415053000	ENS.DECAL.CAPOT*KIT-DECAL HOOD	Touring SLE		24,26 \$		40,50 \$
415053100	ENS.DECAL.BRAS *KIT-DECAL ARM	Touring SLE, LE, E, E LT		3,45 \$		5,75 \$
415053200	ENS.DECAL.CAPOT*KIT-DECAL HOOD	Touring SLE		57,75 \$		96,50 \$
415053400	ENS.DECAL.CAPOT*KIT-DECAL SIDE	Touring LE		24,26 \$		40,50 \$
415053500	ENS.DECAL.CAPOT*KIT-DECAL HOOD	Touring LE		50,01 \$		83,50 \$
415053600	ENS.GARNITURES *KIT-PADS BRAKE	Formula 583, 500, Touring SLE, LE		24,17 \$		40,50 \$
415054800	ENS.DECAL.CAPOT*KIT-DECAL SIDE	Touring E, E LT		24,26 \$		40,50 \$
415054900	ENS.DECAL.CAPOT*KIT-DECAL HOOD	Touring E		48,27 \$		80,50 \$
415055100	ENS.DECAL.CAPOT*KIT-DECAL HOOD	Touring E LT		55,21 \$		92,50 \$
415055800	ENS.DECAL.CAPOT*KIT-DECAL.HOOD	Skandic 500		56,94 \$		94,95 \$
415056400	ENS.DECAL.CAPOT*KIT-DECAL.HOOD	Skandic 380		56,94 \$		94,95 \$
415057100	ENS.DECAL.CAPOT*KIT-DECAL SIDE	GT 583, 500		20,75 \$		34,95 \$
415057200	ENS.DECAL.BRAS *KIT-DECAL ARM	GT 583, 500		6,34 \$		10,95 \$
415057300	ENS.DECAL.CAPOT*KIT-DECAL.HOOD	GT 500		52,90 \$		88,50 \$
415058000	ENS.DECAL.CHAS.*KIT-DECAL FRA.	GT 583		4,64 \$		7,75 \$
415058100	ENS.DECAL.CAPOT*KIT-DECAL.HOOD	GT 583		57,23 \$		95,50 \$
415058500	ENS.DECAL.CAPOT*KIT-DECAL SIDE	Formula 583		24,26 \$		40,50 \$
415058600	ENS.DECAL.CHAS.*KIT-DECAL FRA.	Formula Z, 583, 500		4,64 \$		7,75 \$

## NEW 1997 SKI-DOO PARTS

Part Number No. de Pièce	Description	Application	Qty Qté	Dealer Price Prix Conv.	Total	Sugg Retail Détail Sugg
415058700	ENS.DECAL CAPOT *KIT-DECAL.HOOD	Formula 583		67,35 \$		112,50 \$
415058900	ENS.DECAL CAPOT *KIT-DECAL SIDE	Formula 500		22,47 \$		37,50 \$
415059000	ENS.DECAL.CAPOT *KIT-DECAL HOOD	Formula 500		56,08 \$		93,50 \$
415059100	ENS.DECAL CAPOT *KIT-DECAL SIDE	Formula Z		22,55 \$		37,95 \$
415059200	ENS.DECAL.CAPOT *KIT-DECAL HOOD	Formula Z		58,39 \$		97,50 \$
415059400	ENS.DECAL CAPOT *KIT-DECAL SIDE	Formula III, III LT		29,40 \$		49,00 \$
415059500	ENS.DECAL.BRAS *KIT-DECAL ARM	Formula III, III LT		10,74 \$		17,95 \$
415059600	ENS.DECAL.CHAS.*KIT-DECAL FRA.	Formula III		4,64 \$		7,75 \$
415059700	ENS.DECAL.CAPOT *KIT-DECAL HOOD	Formula III		62,38 \$		104,00 \$
417003502	FLASQUE FIXE US *FLANGE-FIX.MAC	Formula Z, 583, MX Z 583, Summit 583, GT 583, Touring LE, Skandic 500		T.B.A.		T.B.A.
417003700	FLASQUE COUL.AS*FLANGE-SLID.AS	Mach Z, Z LT, I, For III, III LT, Z, 583, 500, 500 Deluxe, SL, MX Z 670, 583, 440, 440F Summit 670, 583, 500, GT SE, 583, 500, Touring SLE, LE, Skandic 500		T.B.A.		T.B.A.
417005700	RESSORT *SPRING-CLUTCH	Mach Z, Z LT, I, For III, III LT, Z, 583, 500, 500 Deluxe, SL, MX Z 670, 583, 440, 440F Summit 670, 583, 500, GT SE, 583, 500, Touring SLE, LE, Skandic 500		0,27 \$		0,45 \$
417005800	GLISSIERE *SHOE-SLIDER	Mach Z, Z LT, I, For III, III LT, Z, 583, 500, 500 Deluxe, SL, MX Z 670, 583, 440, 440F Summit 670, 583, 500, GT SE, 583, 500, Touring SLE, LE, Skandic 500		6,55 \$		8,75 \$
417121200	FLASQUE INT. *FLANGE-INNER	Formula S, Skandic 380		T.B.A.		T.B.A.
417121300	FLASQUE EXT.MOB*FLANGE-OUTER	Formula S, Skandic 380		T.B.A.		T.B.A.
417121400	COUV.RESSORT *COVER-SPRING	Formula S, Skandic 380		T.B.A.		T.B.A.
417121500	CAPUCHON *CAP	Formula S, Skandic 380		T.B.A.		T.B.A.
417215200	POULIE MOTRICE *PULLEY-DRIVE	Formula S		285,49 \$		475,95 \$
417215300	POULIE MOTRICE *PULLEY-DRIVE	Skandic 380		285,49 \$		475,95 \$
417215700	POULIE MOTRICE *PULLEY-DRIVE	Formula Z, 583, GT 583, Skandic 500		285,49 \$		475,95 \$
417215900	POULIE MOTRICE *PULLEY-DRIVE	Formula 500, GT 500		285,49 \$		475,95 \$
417216200	POULIE MOTRICE *PULLEY-DRIVE	Touring E		285,49 \$		475,95 \$
417216300	POULIE MOTRICE *PULLEY-DRIVE	Touring E LT		285,49 \$		475,95 \$
418000000	DEC.SKI-DOO *DECAL-SKI-DOO	Mach Z, Z LT, I, For III, III LT, Z, Summit 670, 583, 500, Skandic 500, 380, WT, Super WT		3,81 \$		6,50 \$
418000001	DECAL. SKI-DOO *DECAL-SKI-DOO	GT SE, 583, 500		4,31 \$		7,25 \$
418000002	DECAL. SKI-DOO *DECAL-SKI-DOO	Formula 583, 500, 500 Deluxe, SL, S		4,31 \$		7,25 \$
418000003	DECAL. SKI-DOO *DECAL-SKI-DOO	Touring SLE, LE, E, E LT		4,31 \$		7,25 \$
418000005	DECAL. SKI-DOO *DECAL-SKI-DOO	MX Z 670, 583, 440, 440F		4,31 \$		7,25 \$
418000006	DECAL. SKI-DOO *DECAL-SKI-DOO	Tundra II LT		4,31 \$		7,25 \$
418000100	DECAL ROTAX *DECAL-ROTAX	GT 500		2,33 \$		3,90 \$
418000101	DECAL ROTAX *DECAL-ROTAX	GT 583		2,33 \$		3,90 \$
418000102	DECAL ROTAX *DECAL-ROTAX	GT SE		2,33 \$		3,90 \$
418000103	DECAL ROTAX *DECAL-ROTAX	Formula S		2,02 \$		3,40 \$



**NEW 1997 SKI-DOO PARTS**

Part Number No. de Pièce	Description	Application	Qty Qté	Dealer Price Prix Conc.	Total	Sugg Retail Detail Sugg.
418000104	DECAL ROTAX *DECAL-ROTAX	Formula SL		2,02 \$		3,40 \$
418000105	DECAL ROTAX *DECAL-ROTAX	Touring E, E LT		2,02 \$		3,40 \$
418000106	DECAL ROTAX *DECAL-ROTAX	Touring LE		2,02 \$		3,40 \$
418000107	DECAL ROTAX *DECAL-ROTAX	Touring SLE		2,02 \$		3,40 \$
418000111	DECAL ROTAX *DECAL-ROTAX	MX Z 440, 440F		2,33 \$		3,90 \$
418000112	DECAL ROTAX *DECAL-ROTAX	MX Z 583		2,33 \$		3,90 \$
418000113	DECAL ROTAX *DECAL-ROTAX	MX Z 670		2,33 \$		3,90 \$
418000116	DECAL ROTAX *DECAL-ROTAX	Formula Z		2,33 \$		3,90 \$
418000117	DECAL ROTAX *DECAL-ROTAX	Formula 583		2,33 \$		3,90 \$
418000118	DECAL ROTAX *DECAL-ROTAX	Formula III, III LT		2,33 \$		3,90 \$
418000120	DECAL ROTAX *DECAL-ROTAX	Mach Z, Z LT, I		2,33 \$		3,90 \$
418000121	DECAL ROTAX *DECAL-ROTAX	Summit 583		2,33 \$		3,90 \$
418000122	DECAL ROTAX *DECAL-ROTAX	Summit 670		2,33 \$		3,90 \$
418000123	DECAL ROTAX *DECAL-ROTAX	Summit 500		2,93 \$		4,90 \$
418000124	DECAL ROTAX *DECAL-ROTAX	Formula 500, 500 Deluxe		2,02 \$		3,40 \$
418000900	DECAL. R.A.V.E.*DECAL-R.A.V.E.	GT SE		1,62 \$		2,70 \$
418000901	DECALQUE RAVE *DECAL-RAVE	MX Z 670, 583, 440		1,62 \$		2,70 \$
418000902	DECAL. R.A.V.E.*DECAL-R.A.V.E.	Formula III, III LT		1,62 \$		2,70 \$
418001000	BANDE DECOR. *PIN-STRIPE	GT SE		0,87 \$		1,50 \$
418001001	BANDE DECOR. *PIN-STRIPE	GT 583		0,87 \$		1,50 \$
418001002	BANDE DECOR. *PIN-STRIPE	MX Z 670, 583, 440, 440F		0,87 \$		1,50 \$
418001003	BANDE DECOR. *PIN-STRIPE	Summit 670, 583		0,87 \$		1,50 \$
418001004	BANDE DECOR. *PIN-STRIPE	Formula Z, Summit 670, 583		0,87 \$		1,50 \$
418001005	BANDE DECOR. *PIN-STRIPE	GT SE		0,87 \$		1,50 \$
418001006	BANDE DECOR. *PIN-STRIPE	Mach Z, I, Formula III, Z		0,87 \$		1,50 \$
418001007	BANDE DECOR. *PIN-STRIPE	Mach Z LT, Formula III LT		0,87 \$		1,50 \$
418001008	BANDE DECOR. *PIN-STRIPE	GT 583		0,87 \$		1,50 \$
418001100	DECALQUE IDENT.*DECAL-IDENT.	Mach Z LT, Formula III LT		1,92 \$		3,20 \$
418001101	DECALQUE IDENT.*DECAL-IDENT.	Touring E LT		1,59 \$		2,70 \$
418001300	DECAL. ELECTRIC*DECAL-ELECTRIC	Formula 500 Deluxe, GT SE, 583, 500, Touring SLE, LE, E, E LT		1,10 \$		1,90 \$
418001400	DECAL. D.P.M. *DECAL.-D.P.M.	GT SE		1,56 \$		2,60 \$
418001700	DECAL.AVERT. *DECAL-WARNING	GT SE		1,57 \$		2,70 \$
418001800	DECAL.POIG.CHAU*DECAL-HEATGRIP	GT SE, 583, 500		2,78 \$		4,70 \$
418001900	DECAL.INTERRUPT*DECAL-SWITCH	GT SE		1,56 \$		2,60 \$
420810552	DEFLECTEUR CYL.*COWL-CYL.	Formula S, Touring E, E LT, Skandic 380		43,30 \$		72,50 \$
420810603	DEFLECTEUR CYL.*COWL-CYL.	Formula SL, Touring SLE, Skandic 500		99,57 \$		165,95 \$
420810776	DEFLECTEUR CYL.*COWL-CYL.	Touring LE		99,57 \$		165,95 \$

## NEW 1997 SKI-DOO PARTS

Part Number No. de Pièce	Description	Application	Qty Qté	Dealer Price Prix Conc.	Total	Sugg Retail Détail Sugg
420810795	DEFLECTEUR CYL. *COWL-CYL.	Formula S, Touring E, E LT, Skandic 380		37,28 \$		62,50 \$
420818269	DEMI-VILEB.MAG. *HALF-CRANK MAG	Formula SL, Touring SLE, Skandic 500		78,31 \$		104,50 \$
420887247	VILEBREQUIN *CRANKSHAFT	Formula S, Touring LE, E, E LT, Skandic 380		413,96 \$		551,95 \$
420887460	PISTON 71,92 *PISTON-71,92	Tundra II LT		59,02 \$		98,50 \$
420887461	PISTON 72,17 *PISTON-72,17	Tundra II LT		62,36 \$		103,95 \$
420887462	PISTON 72,42 *PISTON-72,42	Tundra II LT		62,36 \$		103,95 \$
420887465	PISTON 71,91 *PISTON-71,91	Formula SL, Touring SLE, Skandic 500		56,32 \$		93,95 \$
420887466	PISTON 72,16 *PISTON-72,16	Formula SL, Touring SLE, Skandic 500		59,10 \$		98,50 \$
420887467	PISTON 72,41 *PISTON-72,41	Formula SL, Touring SLE, Skandic 500		59,10 \$		98,50 \$
420887470	PISTON 61,94 *PISTON 61,94	Formula S, Touring E, E LT, Skandic 380		56,32 \$		93,95 \$
420887471	PISTON 62,19 *PISTON 62,19	Formula S, Touring E, E LT, Skandic 380		59,10 \$		98,50 \$
420887472	PISTON 62,44 *PISTON 62,44	Formula S, Touring E, E LT, Skandic 380		59,10 \$		98,50 \$
420887480	PISTON 67,43 *PISTON-67,43	Touring LE		62,25 \$		103,95 \$
420887481	PISTON 67,68 *PISTON-67,68	Touring LE		65,32 \$		108,95 \$
420887482	PISTON 67,93 *PISTON-67,93	Touring LE		65,32 \$		108,95 \$
420887690	DEMAR.RAPPEL *STARTER-REWIND			67,44 \$		112,50 \$
420887691	ENS.DEMA.RAPPEL *KIT-STA.REWIND	Formula SL, Skandic 500		67,44 \$		112,50 \$
420887781	CARTER MOTEUR *CRANKCASE-ASSY	Formula S, Touring LE, E, E LT, Skandic 380		327,84 \$		437,50 \$
420887792	CARTER MOTEUR *CRANKCASE-ASSY	Formula SL, Touring SLE, Skandic 500		350,14 \$		466,95 \$
420913218	CYLINDRE + CHEM *CYLINDER-W.SLE	Touring LE, Tundra II LT		218,38 \$		291,50 \$
420923358	CYLINDRE MAG. *CYLINDER-MAG.	Touring LE		158,58 \$		211,50 \$
420923375	CULASSE *HEAD-CYLINDER	Touring LE		55,88 \$		74,50 \$
420923400	CYLINDRE PTO. *CYLINDER-PTO.	Formula S, Touring E, E LT, Skandic 380		158,58 \$		211,50 \$
420923405	CYLINDRE MAG. *CYLINDER-MAG.	Formula S, Touring E, E LT, Skandic 380		158,58 \$		211,50 \$
420923410	CYLINDRE + CHEM *CYLINDER-W.SLE	Formula SL, Touring SLE, Skandic 500		174,65 \$		232,95 \$
420923531	CHEMISE CYL. *SLEEVE-CYL.	Touring LE		52,28 \$		87,50 \$
420926180	WASHER-5,2 X 14,8 X1,5	Formula SL, S, Touring SLE, LE, E, E LT, Skandic 500, 380		0,13 \$		0,25 \$
420973984	COLLET ECHAPP. *COLLAR-EXHAUST	MX Z 670, 583		73,28 \$		122,50 \$
420973989	COLLECT.ECHAPP. *MANIFOLD-EXH.	Formula Z, 583, Summit 670, 583, GT 583		73,28 \$		122,50 \$
420996447	VILEBREQUIN *CRANKSHAFT	Formula SL, Touring SLE, Skandic 500		443,68 \$		591,95 \$
501026200	CAPUCHON *CAP	Formula SL, S, Touring LE, E, E LT		1,97 \$		3,30 \$
503170500	RAIL USINE *RUNNER-MACH.	Mach Z, I, Formula III, Z, MX Z 670, 583		T.B.A.		T.B.A.
503170700	BRAS ARR.SOUDE *ARM-REAR WELD.	Formula 583, 500, 500 Deluxe, Summit 670, 583, 500, GT 583, 500		T.B.A.		T.B.A.
503170800	RAIL USINE *RUNNER-MACH.	MX Z 670, 583, 440		T.B.A.		T.B.A.
503170900	BARRE ACCOUP. *TIE-ROD	Mach Z LT, Formula III LT, GT SE, 583		T.B.A.		T.B.A.
503171000	RONDELLE *WASHER	Mach Z, Z LT, I, Formula III LT, Z, 583, 500, 500 Deluxe, SL, S, MX Z 670, 583, 440 440F, Summit 670, 583, 500, GT SE, 583, 500, Tou SLE, LE, E, E LT, Skandic 500, 380		1,57 \$		2,70 \$

## NEW 1997 SKI-DOO PARTS

Part Number No. de Pièce	Description	Application	Qty Qté	Dealer Price Prix Cooc.	Total	Sugg Retail Détail Sugg
503171100	BRAS AVANT SOUD* ARM FRONT WELD	Mach Z, Z LT, I, For III, III LT, Z, MX Z 670, 583, 440, GT SE, 583		T.B.A.		T.B.A.
503171200	PLAQUE RENFORT *PLATE-REINF.	Mach Z LT, Formula III LT, GT SE		T.B.A.		T.B.A.
503171300	RAIL USINE *RUNNER-MACH	Mach Z LT, Formula III LT, GT SE, 583		T.B.A.		T.B.A.
503171400	LEVIER SOUDE *LEVER-WELD	Mach Z LT, Formula III LT, GT SE		T.B.A.		T.B.A.
503171500	BRAS ARR.SOUDE *ARM-REAR WELD.	GT SE, 583		T.B.A.		T.B.A.
503171600	AXE BARRE ACCO.*AXLE-TIE ROD	GT SE, 583		T.B.A.		T.B.A.
503171700	AXE PIVOT *AXLE-PIVOT	GT SE, 583		T.B.A.		T.B.A.
503171800	PLAQUE RENFORT *PLATE-REINF.	Summit 670, 583, 500, GT 583, 500, Touring SLE, LE, E LT, Skandic 500, 380		T.B.A.		T.B.A.
503171900	ATTACHE SOUDEE *BRACKET-WELD.	Mach Z, Z LT, I, Formula III, III LT, Z, MX Z 670, 583, 440, GT SE, 583		T.B.A.		T.B.A.
503172400	RAIL USINE *RUNNER-MACH	Summit 670, 583, 500, GT 500, Touring SLE, LE, E LT, Skandic 500, 380		T.B.A.		T.B.A.
503172700	RONDELLE *WASHER	Mach Z, Z LT, I, Formula III, III LT, Z, MX Z 670, 583, 440, GT SE, 583		0,44 \$		0,75 \$
503172800	BRAS ARR.SOUDE *ARM-REAR WELD.	Mach Z, Z LT, I, Formula III, III LT, Z, MX Z 670, 583, 440		T.B.A.		T.B.A.
503172900	DOUILLE SOUDEE *BUSHING-WELD.	Mach Z, Z LT, I, Formula III, III LT, Z, MX Z 670, 583, 440, GT SE, 583		T.B.A.		T.B.A.
503173000	RONDELLE *WASHER	Mach Z, Z LT, I, Formula III, III LT, Z, MX Z 670, 583, 440, GT SE, 583		0,14 \$		0,25 \$
503173100	TIGE FILETEE *ROD-THREADED	Mach Z, Z LT, I, Formula III, III LT, Z, MX Z 670, 583, 440, GT SE, 583		3,70 \$		6,25 \$
504098300	ARBRE RENVOI *SHAFT-COUNTER	For 583, 500, 500 Deluxe, SL, MX Z 440F, Summit 583, 500, GT 583, 500, Tou SLE, LE		114,70 \$		191,50 \$
504143600	FLASQUE COUL.AS*FLANGE-SLID.AS	Mach Z		T.B.A.		T.B.A.
504144600	CARTER CHAINE U*CASE-CHAIN MAC	Formula S, Touring E, E LT, Skandic 500, 380		65,26 \$		108,95 \$
504144700	CARTER CHAINE U*CASE-CHAIN MAC	Mach Z, Z LT, I, For III, III LT, Z, 583, 500, 500 Deluxe, MX Z 670, 583, 440 Summit 670, 583, 500, GT SE, 583, 500		65,26 \$		108,95 \$
504144701	CARTER CHAINE U*CASE-CHAIN MAC	Formula SL, MX Z 440F, Touring SLE, LE		65,26 \$		108,95 \$
504146300	LOGEMENT *HOUSING	Mach Z, Z LT		11,75 \$		19,95 \$
504146400	ENTRETOISE *SPACER	Formula SL, S, Touring LE, E, E LT		1,48 \$		2,50 \$
504146700	RALLONGE ARBRE *EXT-COUNTERSHA	Mach Z, Z LT, GT 583, 500		5,72 \$		9,75 \$
505067320	LISSE CARBURE *RUNNER-CARBIDE	Mach Z, Z LT, I, Formula III, III LT, Z		39,92 \$		66,95 \$
505067500	SUPPORT SKI SOU*SUPPORT-SKI WE	Mach Z, Z LT, I, For III, III LT, Z, 500 Deluxe, Summit 670, 583, 500, GT SE, 583, 500		T.B.A.		T.B.A.
505067509	BUTEE *STOPPER	Mach Z, Z LT, I, For III, III LT, Z, 500 Deluxe, Summit 670, 583, 500, GT SE, 583, 500		T.B.A.		T.B.A.
505067810	SKI SOUDE *SKI-WELD.	For Z, 583, 500, 500 Deluxe, S, MX Z 440F, Tou SLE, LE, E, E LT, Skandic 500, 380		34,01 \$		56,95 \$
506133610	BRAS OSC.GA. *ARM-SWING LH W	Formula 583, GT 583, 500		79,50 \$		132,50 \$
506133710	BRAS OSC.DR. *ARM-SWING RH W	Formula III, III LT, Z, 583, 500, 500 Deluxe, GT 583, 500		79,50 \$		132,50 \$
506133800	BRAS PIVOT.SOUD*ARM-PIVOT WELD	Mach Z, Z LT, I, For III, III LT, Z, 583, 500, 500 Deluxe, MX Z 670, 583, 440, 440F Summit 670, 583, 500, GT SE, 583, 500		T.B.A.		T.B.A.
506134100	BARRE STABILIS.*BAR-STABILIZER	Formula 583, 500, 500 Deluxe, SL		12,03 \$		20,50 \$
506134300	STABILISATEUR *STABILISATOR	Mach Z, Z LT, I, Formula III, III LT, MX Z 670, 583, 440		29,14 \$		48,95 \$
506134402	LEVIER STABIL.U*LEVER-STABIL.M	Mach Z, Z LT, I, Formula III, III LT, MX Z 670, 583, 440		5,78 \$		9,75 \$
506136000	BARRE ACCOUP. *TIE-ROD	Formula Z, 583, 500, 500 Deluxe, GT SE, 583, 500		8,41 \$		14,50 \$

## NEW 1997 SKI-DOO PARTS

Part Number No. de Pièce	Description	Application	Qty Qté	Dealer Price Prix Coac.	Total	Sugg Retail Detail Sugg
506136100	ARBRE DIR.SOUDE*TUBE-MAIN WELD	Mach Z, Z LT, I, Formula III, III LT, GT SE		T.B.A.		T.B.A.
506136400	RONDELLE *WASHER	Mach Z, Z LT, I, For III, III LT, Z, 583, 500, 500 Deluxe, MX Z 670, 583, 440, 440F Summit 670, 583, 500, GT SE, 583, 500		0,18 \$		0,30 \$
506137010	BRAS OSC.DR. P.*ARM-SWING RH P	Formula III, III LT		76,52 \$		127,95 \$
506137110	BRAS OSC.GA. P.*ARM-SWING LH P	Formula III, III LT		76,52 \$		127,95 \$
506137510	BRAS OSC.DR. *ARM-SWING RH W	Formula S, Touring E, E LT, Skandic 500, 380		79,50 \$		132,50 \$
506137610	BRAS OSC.GA. *ARM-SWING LH W	Formula S, Touring E, E LT, Skandic 500, 380		79,50 \$		132,50 \$
506137810	BRAS OSC.DR. *ARM-SWING RH.	Touring SLE, LE		79,50 \$		132,50 \$
506139000	LOGEMENT USINE *HOUSING-MACH.	Mach Z, Z LT, I, Formula III, III LT, MX Z 670, 583, 440		17,64 \$		29,50 \$
506139200	JAMBE DE SKI *LEG-SKI	Mach Z, Z LT, I, For III, III LT, Z, 583, 500, 500 Deluxe, SL, S, MX Z 670, 583, 440 440F, Summit 583, 500, GT SE, 583, 500, Touring SLE, LE, E, E LT, Skandic 500, 380		33,10 \$		55,50 \$
507030600	DISQUE ASS. *DISK-ASSY.	For 583, 500, 500 Deluxe, SL, MX Z 440F, Summit 583, 500, GT 583, 500, Tou SLE, LE		35,79 \$		59,95 \$
512056700	RONDELLE-FREIN *WASHER-LOCK	All except/Tous sauf Tundra, Skandic WT and Super WT		1,50 \$		2,50 \$
512056800	PLAQUE APP.SOUD*PLATE-WELD.	Mach I, Formula III, III LT, GT SE		T.B.A.		T.B.A.
512056900	VIS DE BUTEE *SCREW-STOPPER	Mach Z, Z LT, I, Formula III, III LT, GT SE		2,02 \$		3,40 \$
512057000	PLAQUE APP.SOUD*PLATE-WELD.	Mach Z, Z LT		T.B.A.		T.B.A.
514046500	TUYAU ECHAPP.AS*PIPE-TUNED AS	Formula Z, 583, Summit 670, 583, GT 583		146,07 \$		243,50 \$
514046600	TUYAU ECHAPP.AS*PIPE-TUNED AS	MX Z 670, 583		193,32 \$		322,50 \$
514046700	TUYAU ECHAP.SOU*PIPE-MUFFLER W	Formula SL, Touring SLE, Skandic 500		244,90 \$		408,50 \$
514047800	TUY.SORTIE SOUD*PIPE-TAIL WELD	MX Z 583		32,50 \$		54,50 \$
514047900	TUY.ECH.PTO ASS*PIPE-TUN.PTO A	Mach I, GT SE		T.B.A.		T.B.A.
514048000	TUYAU ECH.CEN.A*PIPE-TUNED CEN	Mach I, GT SE		T.B.A.		T.B.A.
514048100	TUY.ECH.MAG.ASS*PIPE-TUN.MAG.A	Mach I, GT SE		T.B.A.		T.B.A.
514048200	BUTOIR *BUMPER	Formula 500, 500 Deluxe, MX Z 440, Summit 500, GT 500		1,85 \$		3,10 \$
514048300	TUY.SORTIE SOUD*PIPE-TAIL WELD	Formula Z		32,50 \$		54,50 \$
514048400	TUYAU ECHAP.ASS*PIPE-MUFFLER	GT 500		193,32 \$		322,50 \$
514048500	TUYAU ECHAP.ASS*PIPE-MUFFLER A	Formula 500, 500 Deluxe, Summit 500		193,32 \$		322,50 \$
514048600	SUPPORT TUYAU *SUPPORT-PIPE	Formula 500, 500 Deluxe, MX Z 440, Summit 500, GT 500		T.B.A.		T.B.A.
515163800	REGU.TENSION AS*REGU-VOLT.ASSY	Mach Z, Z LT, I, For III, III LT, Z, 583, 500, SL, S, MX Z 670, 583, 440, 440F Summit 670, 583, 500, GT SE, Skandic 500, 380, Tundra II LT		11,66 \$		19,50 \$
515163900	REGU.TENSION AS*REGULATOR-VOLT	Formula 500 Deluxe, GT 583, 500, Touring SLE, LE, E, E LT		31,07 \$		51,95 \$
515165000	ELEMENT CHAUF.A*HEATER-ASS.	GT SE, 583, 500		T.B.A.		T.B.A.
515165800	INTERRUPTEUR AS*SWITCH-ASSY.	GT 583, 500, Touring SLE, Skandic 500, 380		9,08 \$		15,50 \$
515166700	FIL DE BATTERIE*WIRE-BATTERY	Touring SLE, LE, E, E LT		6,52 \$		10,95 \$
515166900	CAPUCHON ASS. *CAP-ASSY.	GT SE		18,62 \$		31,50 \$
515167300	INTERRUPTEUR AS*SWITCH-ASSY.	GT SE		9,08 \$		15,50 \$
517285300	SUPPORT AVERTIS*HORN-SUPPORT	GT SE		T.B.A.		T.B.A.

## NEW 1997 SKI-DOO PARTS

Part Number No. de Pièce	Description	Application	Qty Qté	Dealer Price Prix Cooc.	Total	Sugg Retail Détail Sugg
517285400	GARDE-COURR.ASS*GUARD-BELT ASS	Formula SL, S, MX Z 440F, Touring SLE, LE, E, E LT, Skandic 500, 380		52,53 \$		87,95 \$
517285500	GARDE-COURR.ASS*GUARD-BELT ASS	Summit 670, 583, 500		52,53 \$		87,95 \$
517285600	GARDE-COURR.ASS*GUARD-BELT ASS	Formula 583, 500, 500 Deluxe, MX Z 670, 583, 440, GT 583, 500		52,53 \$		87,95 \$
517285800	ATT.CHARN.SOU. *BRKT-HINGE WEL	For Z, 583, 500, 500 Deluxe, SL, S, MX Z 670, 583, 440, 440F, Summit 670, 583, 500 GT 583, 500, Touring SLE, LE, E, E LT, Skandic 500, 380		T.B.A.		T.B.A.
517285900	GRILLE ADM. *GRILL-INTAKE	Formula SL, S, MX Z 440F, Touring SLE, LE, E, E LT, Skandic 500, 380		T.B.A.		T.B.A.
517286000	LANIERE SOUDEE *STRIP-STEEL W	Formula 500 Deluxe, GT SE, 583, 500, Touring SLE, LE, E, E LT		1,53 \$		2,60 \$
517286100	LANIERE *STRIP-STEEL	Formula 500 Deluxe, GT SE, 583, 500, Touring SLE, LE, E, E LT		1,12 \$		1,90 \$
517286200	SIEGE BATTERIE *SEAT-BATTERY	Formula 500 Deluxe, GT SE, 583, 500, Touring SLE, LE, E, E LT		5,79 \$		9,75 \$
517287200	PLAQUE EN Z SOU*PLATE-Z WELD.	Touring SLE, LE, E LT, Skandic 500, 380		T.B.A.		T.B.A.
517287400	SUPPORT GAUCHE *SUPPORT-LH	Formula S, Summit 583, GT 583, 500, Touring LE, E, E LT, Skandic 500, 380		4,40 \$		7,50 \$
517287500	SUPPORT DROIT *SUPPORT-RH	For Z, 583, 500, 500 Deluxe, SL, S, MX Z 670, 583, 440, 440F, Summit 670, 583, 500 GT 583, 500, Touring SLE, LE, E, E LT, Skandic 500, 380		4,40 \$		7,50 \$
517287600	BRAS DR.EMBALLÉ*ARM-RH PACKED	GT SE, 583, 500		T.B.A.		T.B.A.
517289800	BRAS GA.EMBALLÉ*ARM-LH PACKED	GT SE, 583, 500		T.B.A.		T.B.A.
517289900	CHARNIERE INF.S*HINGE-LOW.WELD	For Z, 583, 500, 500 Deluxe, SL, S, MX Z 670, 583, 440, 440F, Summit 670, 583, 500 GT 583, 500, Touring SLE, LE, E, E LT, Skandic 500, 380		3,62 \$		6,25 \$
517290000	GUIDE *GUIDE	GT SE, 583, 500		T.B.A.		T.B.A.
517290200	RADIATEUR DR.SO*RADIATOR-RH.WE	GT 583, 500		181,85 \$		303,50 \$
517290201	RADIATEUR GA.SO*RAD.-LH.WELD.	GT 583, 500		181,85 \$		303,50 \$
517290300	SUPPORT RES.SOU*SUPP-TANK WELD	GT SE		T.B.A.		T.B.A.
518316240	CADRE SOUDE *MEMBER-FRONT	Formula SL, S, Touring E		516,15 \$		688,50 \$
518316241	CADRE SOUDE *MEMBER-FRONT	Touring SLE, LE, E LT, Skandic 500, 380		516,15 \$		688,50 \$
518316242	CADRE SOUDE *MEMBER-FRONT	Formula 583, 500, GT 583, 500		516,15 \$		688,50 \$
518316243	CADRE SOUDE *MEMBER-FRONT	Formula Z		516,15 \$		688,50 \$
518316245	CADRE SOUDE *MEMBER-FRONT	Formula III		516,15 \$		688,50 \$
518316702	SUP.REP.PI.GA.S*SUP.-FOOT.LH W	All 1997 models except/Tous modèles 1997 sauf Tundra Skandic WT and Super WT		T.B.A.		T.B.A.
518316703	SUP.REP.PI.DR.S*SUP.-FOOT.RH W	All 1997 models except/Tous modèles 1997 sauf Tundra Skandic WT and Super WT		T.B.A.		T.B.A.
518316704	SUPPORT SILENC.*SUPPORT-MUFFLE	Formula S, Touring LE, E, E LT, Skandic 380		T.B.A.		T.B.A.
518316705	RENF.TUNNEL GA.*REINF-FRAME LH	Touring SLE, LE, E LT, Skandic 500, 380		5,85 \$		9,95 \$
518316706	RENF.TUNNEL DR.*REINF-FRAME RH	Touring SLE, LE, E LT, Skandic 500, 380		5,85 \$		9,95 \$
518316709	PLAQUE RENF.DR.*PLATE-REINF.RH	All 1997 models except/Tous modèles 1997 sauf Tundra Skandic WT and Super WT		T.B.A.		T.B.A.
518316710	PLAQUE RENF.GA.*PLATE-REINF.LH	All 1997 models except/Tous modèles 1997 sauf Tundra Skandic WT and Super WT		T.B.A.		T.B.A.
518316713	RENF.TUNNEL GA.*REINF-FRAME LH	Formula SL, S, MX Z 440F, Touring E		T.B.A.		T.B.A.
518316714	RENF.TUNNEL DR.*REINF-FRAME RH	Formula SL, S, MX Z 440F, Touring E		T.B.A.		T.B.A.
518316757	REPOSE-PIED DR.*FOOTREST-RH.	GT SE		7,17 \$		11,95 \$
518316758	REPOSE-PIED GA.*FOOTREST-LH.	GT SE		7,17 \$		11,95 \$

## NEW 1997 SKI-DOO PARTS

Part Number No. de Pièce	Description	Application	Qty Qté	Dealer Price Prix Conc.	Total	Sugg Retail Détail Sugg.
518316802	TUNNEL *FRAME-FORMING	Touring E		182,19 \$		242,95 \$
518316804	TUNNEL *FRAME-FORMING	Touring LE, Skandic 500, 380		182,19 \$		242,95 \$
518316805	TUNNEL *FRAME-FORMING	Touring SLE, LE, E LT		182,19 \$		242,95 \$
518316840	TUNNEL *FRAME-FORMING	Formula III		182,19 \$		242,95 \$
518316843	TUNNEL *FRAME-FORMING	Formula SL, S		182,19 \$		242,95 \$
529031600	CLE REGLAGE *WRENCH-ADJ.	Mach I		T.B.A.		T.B.A.
560314800	GLISSIERE 121" *SHOE-RUNNER	Mach Z, I, Formula III, Z, MX Z 670, 583, 440		11,41 \$		19,50 \$
560314900	GLISSIERE *SHOE-RUNNER	All 1997 models except/Tous modèles 1997 sauf Tundra, Skandic WT and Super WT		11,41 \$		19,50 \$
561723200	TABEAU BORD RE*DASH-REW.	GT SE		17,02 \$		28,50 \$
570045105	CAPUCHON COQUE *CAP-PAN BOTTOM	GT SE		2,52 \$		4,20 \$
570045228	ROUE 135 *WHEEL-135 BLEU GEAI/BLUE JAY	GT SE		8,99 \$		15,00 \$
570045229	ROUE 135 *WHEEL-135 BLEU FRANC/FRENCH BLUE	Summit 500, 583, 670		8,99 \$		15,00 \$
570045230	ROUE 135 *WHEEL-135 VERT SAPIN/FIR GREEN	GT 583, 500		8,99 \$		15,00 \$
570045328	ROUE 165 *WHEEL-165 BLEU GEAI/BLUE JAY	GT SE		12,46 \$		20,95 \$
570045329	ROUE 165 *WHEEL-165 BLEU FRANC/FRENCH BLUE	Summit 500, 583, 670		12,46 \$		20,95 \$
570045330	ROUE 165 *WHEEL-165 VERT SAPIN/FIR GREEN	GT 583, 500		12,46 \$		20,95 \$
570053701	CAPUCHON COQUE *CAP-PAN BOTTOM	Formula 500, 500 Deluxe		2,55 \$		4,30 \$
570053702	CAPUCHON COQUE *CAP-PAN BOTTOM	For 583, SL, S, Summit 670, 583, 500, GT 583, 500, Touring SLE, LE, E, E LT, Skandic 500, 380		2,55 \$		4,30 \$
570053703	CAPUCHON COQUE *CAP-PAN BOTTOM	Formula Z		2,55 \$		4,30 \$
570063000	BUTEE CAOUTCH. *STOPPER-RUBBER	All 1997 models except/Tous modèles 1997 sauf Tundra, Skandic WT and Super WT		2,69 \$		4,50 \$
570064000	TAMPON ANCRAGE *MOUNT-RUBBER	GT SE		5,97 \$		9,95 \$
570209400	CHENILLE *TRACK-ASS 15" x 136" (18,4)	Touring SLE, LE, E LT		353,01 \$		542,95 \$
570209500	CHENILLE *TRACK-ASS 15" x 136" (23,2)	Touring LE, Skandic 500, 380		355,16 \$		546,50 \$
570209600	CHENILLE *TRACK-ASS 15" x 121" (18,4)	Formula SL, S, MX Z 440F, Touring E		308,49 \$		474,50 \$
570209700	CHENILLE *TRACK- 15" x 136" (18,4)	GT 583, 500		358,28 \$		550,95 \$
570209900	CHENILLE *TRACK 15" x 121" (23,2)	Mach Z, I, Formula III		319,57 \$		491,50 \$
570210000	CHENILLE *TRACK 15" x 136" (23,2)	Mach Z LT, Formula III LT, GT SE, 583, 500		364,32 \$		560,50 \$
570210100	CHENILLE *TRACK 15" x 121" (23,2)	Mach Z, Formula Z, 583, MX Z 670, 583		316,58 \$		486,95 \$
571009400	RESERVOIR ESSEN*TANK-FUEL	Formula Z, GT 583, 500		64,32 \$		107,50 \$

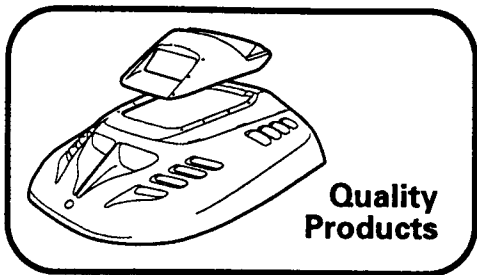
### NEW 1997 SKI-DOO PARTS

Part Number No. de Piéce	Description	Application	Qty Qté	Dealer Price Prix Conc.	Total	Sugg Retail Détail Sugg
572052702	CONSOLE INTER. *DASH-SWITCH	For Z, 583, 500, 500 Deluxe, SL, S, MX Z 670, 583, 440, 440F, Summit 670, 583, 500 GT 583, 500, Touring SLE, LE, E, E LT, Skandic 500, 380		2,26 \$		3,80 \$
572076104	COQUE *PAN-BOTTOM	GT SE		108,31 \$		144,50 \$
572076203	COQUE *PAN-BOTTOM	For 583, SL, S, Summit 670, 583, 500, GT 583, 500, Touring SLE, LE, E, E LT, Skandic 500,380		87,60 \$		116,95 \$
572076204	COQUE *PAN-BOTTOM	Formula 500, 500 Deluxe		100,84 \$		134,50 \$
572076205	COQUE *PAN-BOTTOM	Formula Z		100,84 \$		134,50 \$
572077115	CAPOT *HOOD	Formula SL		328,94 \$		438,95 \$
572077123	CAPOT *HOOD	Formula S		328,94 \$		438,95 \$
572077129	CAPOT *HOOD	Skandic 500, 380		328,94 \$		438,95 \$
572077130	CAPOT *HOOD	Touring SLE		328,94 \$		438,95 \$
572077131	CAPOT *HOOD	GT 583, 500		328,94 \$		438,95 \$
572077133	CAPOT *HOOD	Formula Z		328,94 \$		438,95 \$
572077134	CAPOT *HOOD	Touring E, E LT		328,94 \$		438,95 \$
572077135	CAPOT *HOOD	Touring LE		328,94 \$		438,95 \$
572077137	CAPOT *HOOD	Formula 583, 500		328,94 \$		438,95 \$
572079306	CAPOT *HOOD	GT SE		370,06 \$		493,50 \$
572079328	CAPOT *HOOD	Formula III, III LT		370,05 \$		493,50 \$
572083700	CONDUIT SORTIE *DUCT-OUTLET	MX Z 440F		6,65 \$		11,50 \$
572083800	MODLECT.SORTIE *DEFLECT.-OUTL.	Formula SL, MX Z 440F, Touring SLE, Skandic 500		4,60 \$		7,75 \$
572083900	CONDUIT SORTIE *DUCT-OUTLET	Formula SL, Touring SLE, Skandic 500		6,65 \$		11,50 \$
572084000	COUSSINET SECUR*PAD-STEERING	Formula S		20,15 \$		33,95 \$
572084100	COUSSINET SECUR*PAD-STEERING	Mach Z, Z LT, I, For III, III LT, Z, 583, 500, 500 Deluxe, SL, MX Z 670, 583, 440, 440F Summit 670, 583, 500, GT 583, 500		20,15 \$		33,95 \$
572084400	POIGNEE DEMAR. *GRIP-STARTER	All 1997 models except/Tous modèles 1997 sauf Tundra, Skandic WT and Super WT		2,13 \$		3,60 \$
572084500	MANETTE ASS. *HANDLE-ASS.	Touring E, E LT, Skandic 380		17,49 \$		29,50 \$
572084600	SUPP.PARE-BRISE*SUPPORT-WINDSH	For Z, 583, 500, 500 Deluxe, MX Z 670, 583, 440, 440F, Summit 670, 583, 500, GT 583, 500		47,59 \$		79,50 \$
572084700	GARDE-NEIGE *GUARD-SNOW	GT 583, 500, Touring SLE, LE		20,71 \$		34,95 \$
572084800	RENFORT BUTEE *REINF.-STOPPER	Mach Z, Z LT, I, For III, III LT, Z, 583, 500, 500 Deluxe, SL, S, MX Z 440F, Summit 670, 583, 500, GT SE, 583, 500, Tou SLE, LE, E, E LT, Skandic 500, 380		0,41 \$		0,70 \$
572085000	COUSSINET SECUR*PAD-STEERING	GT SE		20,15 \$		33,95 \$
572085100	GARDE-NEIGE *GUARD-SNOW	Summit 670, 583, 500		20,71 \$		34,95 \$
572085200	GAINÉ POIGNEE *GRIP-HANDLE	GT SE		1,83 \$		3,10 \$
572085500	RESERVOIR ESSEN*TANK-FUEL	MX Z 670, 583		64,32 \$		107,50 \$
572085700	SKI PLASTIQUE *SKI-PLASTIC	Mach Z, Z LT, I, For III, III LT, Z, 583, 500, 500 Deluxe, SL, S, Summit 670, 583, 500, GT SE, 583, 500, Touring SLE, LE, E, E LT		27,63 \$		46,50 \$

### NEW 1997 SKI-DOO PARTS

Part Number No. de Pièce	Description	Application	Qty Qté	Dealer Price Prix Conv.	Total	Sugg Retail Détail Sugg.
572085900	MANETTE ASS. *HANDLE-ASS.	Formula SL, MX Z 440, 440F, Touring SLE, LE, Skandic 500		17,49 \$		29,50 \$
572086000	DOUILLE *BUSHING	Formula 583, 500, 500 Deluxe, Summit 670, 583, 500, GT 583, 500		2,60 \$		4,40 \$
572086500	LOGEMENT FREIN *HOUSING-BRAKE	Formula S, Touring E, E LT, Skandic 500, 380		6,69 \$		11,50 \$
572086600	PLAQUE GAUCHE *PLATE-LH.	Formula S, Touring E, E LT, Skandic 500, 380		1,56 \$		2,60 \$
572086700	LOGEMENT ACC. *HOUSING-THROTT	Mach I, For III, III LT, SL, S, MX Z 440, 440F, Tou SLE, LE, E, E LT, Skandic 500, 380		3,61 \$		6,25 \$
572086800	PLAQUE *PLATE	Mach I, For III, III LT, SL, S, MX Z 440, 440F, Tou SLE, LE, E, E LT, Skandic 500, 380		1,27 \$		2,20 \$
572088700	REP.PIED ARR.DR*FOOTREST-RR.RH	GT SE, 583, 500		7,17 \$		11,95 \$
572088800	REP.PIED ARR.GA*FOOTREST-RR.LH	GT SE, 583, 500		7,17 \$		11,95 \$
572089200	LOGEMENT INTER.*HOUSING-SWITCH	GT SE, 583, 500		3,06 \$		5,25 \$
572089300	PLAQUE *PLATE	GT SE, 583, 500		T.B.A.		T.B.A.
572090300	MANETTE ASS. *HANDLE-ASS.	Mach I, Formula III, III LT		17,49 \$		29,50 \$
572090400	SKI PLASTIQUE *SKI-PLASTIC	Mach Z, I, Formula III		27,63 \$		46,50 \$
572090900	LOGEMENT ACC. *HOUSING-THROTT	GT SE		6,69 \$		11,50 \$
572091000	MANETTE ASS. *HANDLE-ASS.	GT SE		17,49 \$		29,50 \$
572091100	GARDE-NEIGE *GUARD-SNOW	GT SE		20,71 \$		34,95 \$
572091300	BOUCHON *CAP	All 1997 models except/Tous modèles 1997 sauf Tundra, Skandic WT and Super WT		0,35 \$		0,60 \$
572091400	ROUE 155 *WHEEL-155	Mach Z, Z LT, I, For III, III LT, Z, 583, 500, 500 Deluxe, MX Z 670, 583, 440, Summit 670, 583, 500, GT SE, 583, 500		12,46 \$		20,95 \$
572091600	RESERVOIR HUILE*TANK-OIL	Formula SL, S, MX Z 440F, Touring SLE, LE, E, E LT, Skandic 500, 380		22,01 \$		36,95 \$
580638605	SILENC.ADM.ASS.*INTAKE-AIR ASS	Formula 583, 500, 500 Deluxe, GT 583, 500		68,70 \$		114,50 \$
580649100	SILENC.ADM.ASS.*INTAKE-AIR ASS	Formula SL, Touring SLE, Skandic 500		68,70 \$		114,50 \$
580649200	SILENC.ADM.ASS.*INTAKE-AIR ASS	Formula S, MX Z 440F, Touring LE, E, E LT, Skandic 380		68,70 \$		114,50 \$
580649300	PORTE BAGAGE AS*RACK-ASS.	GT SE, 583, 500		214,23 \$		357,50 \$
580649600	BARREAU ASS. *ARM-ASS.	MX Z 440F		19,52 \$		32,95 \$
580649700	BARREAU ASS. *ARM-ASS.	Formula Z, 583, 500, 500 Deluxe, GT SE, 583, 500		19,52 \$		32,95 \$
580649800	BARREAU AJUST.A*ARM-ADJUST.ASS	Formula Z		19,52 \$		32,95 \$
580649900	BARREAU ASS. *ARM-ASS.	Mach Z, Z LT, I, Formula III, III LT, MX Z 670, 583, 440		19,52 \$		32,95 \$
580650800	BARREAU FIXE AS*ARM-FIXED ASS.	Mach Z, Z LT, I, Formula III, III LT, MX Z 670, 583		19,52 \$		32,95 \$
580653600	MANETTE ACC.ASS*HANDLE-THRO.AS	GT SE		33,30 \$		55,95 \$
580653800	BLOC PIVOT ASS.*BLOCK-PIVOT AS	Mach Z, Z LT, I, Formula III, III LT, Z, MX Z 670, 583, 440, GT SE, 583		18,79 \$		31,50 \$





P-CL-96-07

April 5, 1996

MEMO TO: ALL CANADIAN SKI-DOO SNOWMOBILE DEALERS

ATTENTION: PARTS MANAGER

**SUBJECT: NEW 1997 SKI DOO PARTS**

To improve our service, you will find herewith a listing of the new 1997 Ski-Doo parts.

You can include these parts on your booking order. Attached are the pages that you can use to fill out your order.

Bombardier Inc.  
Marketing - Parts and Accessories

## NEW 1997 SKI-DOO PARTS

Part Number No. de Pièce	Description	Application	Qty Qté	Dealer Price Prix Conc.	Total	Sugg Retail Détail Sugg
400205800	MOTEUR 277 *ENGINE-277	Tundra II LT		1 465,63 \$		2 007,95 \$
400308500	MOTEUR 377 *ENGINE-377	Formula S, Touring E, E LT		1 837,81 \$		2 517,95 \$
400308600	MOTEUR 377 *ENGINE-377	Skandic 380		1 837,81 \$		2 517,95 \$
400407800	MOTEUR 443 *ENGINE-443	MX Z 440F, Touring LE		T.B.A		T.B.A.
400408000	MOTEUR 454 *ENGINE-454	MX Z 440		2 765,00 \$		3 787,95 \$
400408100	MOTEUR 494 *ENGINE-494	Summit 500		2 206,41 \$		3 022,50 \$
400408200	MOTEUR 494 *ENGINE-494	Formula 500 Deluxe, GT 500		2 206,41 \$		3 022,50 \$
400408400	MOTEUR 494 *ENGINE-494	Formula 500		2 206,41 \$		3 022,50 \$
400507400	MOTEUR 503 *ENGINE-503	Formula SL, Skandic 500		1 977,05 \$		2 708,50 \$
400507700	MOTEUR 583 *ENGINE-583	GT 583		2 721,41 \$		3 728,00 \$
400507800	MOTEUR 583 *ENGINE-583	Formula Z, 583		2 721,41 \$		3 728,00 \$
400507900	MOTEUR 583 *ENGINE-583	Summit 583		2 721,41 \$		3 728,00 \$
400508000	MOTEUR 583 *ENGINE-583	MX Z 583		2 721,41 \$		3 728,00 \$
400508100	MOTEUR 503 *ENGINE-503	Touring SLE		1 977,05 \$		2 708,50 \$
400508300	MOTEUR 599 *ENGINE-599	Formula III, III LT		3 653,16 \$		5 004,50 \$
400602700	MOTEUR 670 *ENGINE-670	Summit 670		2 930,92 \$		4 015,00 \$
400602800	MOTEUR 670 *ENGINE-670	MX Z 670		2 930,92 \$		4 015,00 \$
400602900	MOTEUR 699 *ENGINE-699	Mach I		3 693,54 \$		5 059,95 \$
400603000	MOTEUR 699 *ENGINE-699	GT SE		3 693,54 \$		5 059,95 \$
400800100	MOTEUR 809 *ENGINE-809	Mach Z, Z LT		3 743,61 \$		5 128,50 \$
403127200	CARB.VM-30 *CARB-VM-30	Formula S, Touring E, E LT, Skandic 380		89,64 \$		154,95 \$
403127400	CARB.VM-34 PTO *CARB-VM-34 PTO	Formula SL, Touring SLE, Skandic 500		96,23 \$		165,95 \$
403127500	CARB.VM-34 MAG.*CARB-VM-34 MAG	Formula SL, Touring SLE, Skandic 500		96,23 \$		165,95 \$
403128600	CARB.VM-36 PTO *CARB-VM-36 PTO	Formula III, III LT		125,32 \$		216,50 \$
403128700	CARB.VM-36 CENT*CARB-VM-36 CEN	Formula III, III LT		125,32 \$		216,50 \$
403128800	CARB.VM-36 MAG.*CARB-VM-36 MAG	Formula III, III LT		125,32 \$		216,50 \$
403128900	CARB.VM-38 PTO *CARB-VM-38 PTO	GT SE		122,66 \$		211,50 \$
403129000	CARB.VM-38 CENT*CARB-VM-38 CEN	GT SE		122,66 \$		211,50 \$
403129100	CARB.VM-38 MAG *CARB-VM-38 MAG	GT SE		122,66 \$		211,50 \$
403129200	CARB.VM-38 PTO *CARB-VM-38 PTO	Mach I		122,66 \$		211,50 \$
403129300	CARB.VM-38 CENT*CARB-VM-38 CEN	Mach I		122,66 \$		211,50 \$
403129400	CARB.VM-38 MAG *CARB-VM-38 MAG	Mach I		122,66 \$		211,50 \$
403129500	CARB.TM-38 *CARB-TM-38	Mach Z, Z LT		646,24 \$		778,95 \$
403129600	CARB.VM-40 PTO *CARB-VM-40 PTO	Formula Z, MX Z 583		154,20 \$		265,95 \$
403129700	CARB.VM-40 MAG *CARB-VM-40 MAG	Formula Z, MX Z 583		154,20 \$		265,95 \$
403130000	CARB.VM-38 PTO *CARB-VM-38 PTO	Formula 500, 500 Deluxe, GT 500		122,66 \$		211,50 \$
403130100	CARB.VM-38 MAG *CARB-VM-38 MAG	Formula 500, 500 Deluxe, GT 500		122,66 \$		211,50 \$

## NEW 1997 SKI-DOO PARTS

Part Number No. de Pièce	Description	Application	Qty Qté	Dealer Price Prix Conc.	Total	Sugg Retail Detail Sugg
403130200	CARB.VM-34 PTO *CARB-VM-34 PTO	MX Z 440F		96,23 \$		165,95 \$
403130300	CARB.VM-34 MAG *CARB-VM-34 MAG	MX Z 440F		96,23 \$		165,95 \$
403130400	CARB.VM-38 PTO *CARB-VM-38 PTO	Formula 583, GT 583		122,66 \$		211,50 \$
403130500	CARB.VM-38 MAG *CARB-VM-38 MAG	Formula 583, GT 583		122,66 \$		211,50 \$
410111200	INTER.ALLUMAGE *SWITCH-IGNIT.	For SL, S, MX Z 670, 583, 440, 440F, Skandic 500, 380, Tundra II LT		13,79 \$		23,95 \$
410111300	INTER.ALLUMAGE *SWITCH-IGNIT.	Mach Z, ZLT, I, For III, III LT, Z, 583, 500, 500 deluxe, Summit 670, 583, 500 GT SE, 583, 500, Touring SLE, LE, E, E LT		13,79 \$		23,95 \$
410111400	LAMPE TEMOIN *LAMP-PILOT	GT SE		2,99 \$		5,25 \$
410111500	INTER.COMPRESS.*SWITCH-COMPRES.	GT SE		3,31 \$		5,75 \$
410212700	INVERSEUR *SWITCH-DIMMER	Tundra II LT		8,59 \$		14,95 \$
414792102	ALARME AC. *ALARM-AC.	Skandic 500, 380		27,23 \$		46,95 \$
414805102	ALARME DC *ALARM-DC	Formula 500 Deluxe, GT 583, 500, Touring SLE		20,92 \$		36,50 \$
414968501	MOULURE PARE-CH *MOLDING-BUMPER	GT SE		1,43 \$		2,50 \$
415024200	DECALQUE ROTAX *DECAL-ROTAX	Mach I		3,22 \$		5,75 \$
415025000	DECAL. R.A.V.E.*DECAL-R.A.V.E.	Mach Z, Z LT, I		2,15 \$		3,70 \$
415025700	BANDE DECOR. *PIN-STRIFE	Mach Z, Z LT, I, Formula III, III LT		1,36 \$		2,40 \$
415033000	AMORTISSEUR *SHOCK	Mach I		92,12 \$		158,95 \$
415033100	AMORTISSEUR *SHOCK	Mach Z, Formula III, MX Z 670, 583		92,12 \$		158,95 \$
415033200	AMORTISSEUR *SHOCK	Mach Z LT, Formula III LT, Z		32,88 \$		56,95 \$
415033300	AMORTISSEUR *SHOCK	Formula 583, 500, 500 Deluxe, MX Z 400F, Summit 670, 583, 500, GT 583, 500 Touring SLE		32,88 \$		56,95 \$
415033400	AMORTISSEUR *SHOCK	Mach Z LT, Formula III LT		32,88 \$		56,95 \$
415033500	AMORTISSEUR *SHOCK	Mach I		92,12 \$		158,95 \$
415033600	AMORTISSEUR *SHOCK	Mach I		92,12 \$		158,95 \$
415034000	IND.VITESSE KM *SPEEDOMETER KM	Mach Z, Z LT, I, For III, III LT, Z, MX Z 670, 583, 440, 440F, Summit 670, 583, 500 GT SE, 583, 500		68,99 \$		118,95 \$
415034200	COMPTE-TOURS *TACHOMETER	Mach Z, Z LT, I, For III, III LT, Z, MX Z 670, 583, 440, 440F, Summit 670, 583, 500 GT SE, 583, 500		109,09 \$		188,50 \$
415034500	ETRIER *CALIPER	For 583, 500, 500 Deluxe, SL, MX Z 440F, Summit 583, 500, GT 583, 500 Touring SLE, LE		97,54 \$		168,50 \$
415034600	MAITRE CYLINDRE*MASTER-CYLIND.	Mach Z, Z LT, I, For III, III LT, Z, 583, 500, SL, MX Z 670, 583, 440, 440F Summit 670, 583, 500, GT SE, 583, 500, Touring SLE, LE		93,79 \$		161,95 \$
415035400	AMORTISSEUR *SHOCK	Formula SL, S, Touring LE, E, E LT		32,88 \$		56,95 \$
415035500	RESSORT *SPRING SUSPENSION JAUNE / YELLOW	Mach Z LT, MX Z 440F		11,62 \$		20,50 \$
415035600	RESSORT *SPRING SUSPENSION BLEU/BLUE	Summit 670, 583, 500		10,21 \$		17,95 \$

## NEW 1997 SKI-DOO PARTS

Part Number No. de Pièce	Description	Application	Qty Qté	Dealer Price Prix Conc.	Total	Sugg Retail Détail Sugg
415035700	RESSORT *SPRING SUSPENSION BLEU/BLUE	GT SE		11,62 \$		20,50 \$
415035800	RESSORT *SPRING SUSPENSION VERT/GREEN	GT 583, 500		11,62 \$		20,50 \$
415035900	RESSORT *SPRING SUSPENSION NOIR/BLACK	Touring SLE, LE, E, E LT		10,21 \$		17,95 \$
415036500	ANNEAU ETANCHE*SEAL CAPOT/HOOD	Formula SL, MX Z 440F, Touring SLE, Skandic 500		3,87 \$		6,75 \$
415036603	HOUSSE DE SIEGE*COVER-SEAT	Formula 583, 500, 500 Deluxe, SL, S		143,56 \$		196,95 \$
415036703	HOUSSE DE SIEGE*COVER-SEAT	Touring SLE, LE, E LT		172,35 \$		297,50 \$
415036800	DOSSIER SIEGE *BACKREST-SEAT	Touring SLE, LE, E LT, Skandic 500, 380		102,47 \$		162,95 \$
415037800	LOGO BOMBARDIER*LOGO-BOMB.	All 1997 models except/Tous les modèles 1997 sauf Tundra		1,59 \$		2,80 \$
415038500	RESSORT *SPRING SUSPENSION ROUGE/RED	Formula III		9,51 \$		16,50 \$
415038600	AMORTISSEUR AIR*SHOCK-AIR	GT SE		79,48 \$		137,50 \$
415039200	AMORTISSEUR *SHOCK	Mach Z, Formula III, MX Z 670, 583, GT 583		119,71 \$		206,50 \$
415039300	AMORTISSEUR *SHOCK	MX Z 670, 583, 440		181,23 \$		312,50 \$
415039500	COUSSINET *CUSHION	Mach Z, Z LT, I, Formula III, III LT, MX Z 670, 583, 440		0,38 \$		0,65 \$
415040200	AMORTISSEUR *SHOCK	Mach Z LT, For III LT, Z, 583, 500, 500 Deluxe, MX Z 440F, GT SE, 583, 500		32,88 \$		56,95 \$
415040300	AMORTISSEUR *SHOCK	Summit 670, 583, 500		32,88 \$		56,95 \$
415040400	AMORTISSEUR *SHOCK	Formula Z		32,88 \$		56,95 \$
415040500	AMORTISSEUR *SHOCK	Formula 583, 500, 500 Deluxe, MX Z 440F, Summit 670, 583, 500		32,88 \$		56,95 \$
415040600	AMORTISSEUR *SHOCK	GT 583, 500, Touring SLE		32,88 \$		56,95 \$
415041100	COUSSINET *CUSHION	Mach Z, Z LT, I, For III, III LT, Z, 583, 500, 500 Deluxe, MX Z 670, 583, 440, 440F Summit 670, 583, 500, GT SE, 583, 500		0,95 \$		1,70 \$
415041200	BOITIER LUMIERE*HOUSING-LAMP	GT SE, 583, 500		13,08 \$		22,95 \$
415042300	JOINT ROTULE *JOINT-BALL	Mach Z, Z LT, I, Formula III, III LT, MX Z 670, 583, 440		15,05 \$		25,95 \$
415042500	JOINT ROTULE DR*JOINT-BALL RH	Mach Z, Z LT, I, Formula III, III LT, Z, MX Z 670, 583, 440		15,05 \$		25,95 \$
415042800	INDICATEUR TEMP*GAGE-TEMP.	Mach Z, Z LT, I, Formula III, III LT, Z, GT SE, 583, 500		34,72 \$		59,95 \$
415042900	INDICATEUR ESS.*GAUGE-FUEL	Mach Z, Z LT, I, Formula III, III LT, Z, GT SE, 583, 500		34,72 \$		59,95 \$
415043100	COUR.LANCEMENT *GEAR-RING 86TH	Formula 500 Deluxe, GT SE, 583, 500, Touring SLE, LE		77,92 \$		134,50 \$
415043300	RESSORT *SPRING CAPOT/HOOD	For Z, 583, 500, 500 Deluxe, SL, S, MX Z 670, 583, 440, 440F, Summit 670, 583, 500 GT 583, 500, Touring SLE, LE, E, E LT, Skandic 500, 380		0,43 \$		0,75 \$
415043400	COMPRESSEUR *COMPRESSOR	GT SE		173,97 \$		299,95 \$
415043500	IND.PRESSION *GAUGE-PRESSURE	GT SE		28,97 \$		49,95 \$
415043502	SUPPORT BOITIER*HOLDER-CASE	GT SE		6,93 \$		11,95 \$
415043600	CAPTEUR PRESSIO *SENDER-PRESSUR	GT SE		41,47 \$		71,50 \$

## NEW 1997 SKI-DOO PARTS

Part Number No. de Pièce	Description	Application	Qty Qté	Dealer Price Prix Conc.	Total	Sugg Retail Détail Sugg.
415043700	VALVE ECHAPP. *VALVE-RELEASE	GT SE		46,37 \$		79,95 \$
415044100	RESSORT *SPRING	For Z, 583, 500, 500 Deluxe, MX Z 670, 583, 440, Summit 670, 583, 500, GT 583, 500		0,35 \$		0,65 \$
415044500	DOSSIER ASS. *BACKREST-ASSY.	GT 583, 500		144,67 \$		249,95 \$
415044600	DOSSIER ASS. *BACKREST-ASSY.	GT SE		202,98 \$		349,95 \$
415044800	MOUSSE ETANCH. *FOAM-SEALING	For Z, 583, 500, 500 Deluxe, MX Z 670, 583, 440, 440F, Summit 670, 583, 500 GT 583, 500		6,93 \$		11,95 \$
415047900	LOGEMENT INTER. *HOUSING-SWITCH	GT SE		T.B.A.		T.B.A.
415048800	BOUCHON RES.ESS *CAP-FUEL TANK	MX Z 670, 583		16,64 \$		28,95 \$
415049400	AMORTISSEUR AV. *SHOCK-FRONT	Touring SLE		32,88 \$		56,95 \$
415049900	INTER.FREIN *SWITCH-BRAKE	Formula S, Touring E, E LT, Skandic 500, 380		4,58 \$		7,95 \$
415050000	INVERSEUR *SWITCH-DIMMER	Formula S, Touring E, E LT, Skandic 500, 380		8,59 \$		14,95 \$
415050600	ENS.DECAL.CAPOT *KIT-DECAL HOOD	Formula SL		29,55 \$		50,95 \$
415050700	ENS.DECAL.BRAS *KIT-DECAL ARM	Formula Z, 583, SL, S		4,21 \$		7,25 \$
415050800	ENS.DECAL.CAPOT *KIT-DECAL HOOD	Formula SL		70,78 \$		122,50 \$
415052000	ENS.DECAL.CAPOT *KIT-DECAL HOOD	Formula S		29,55 \$		50,95 \$
415052100	ENS.DECAL.CAPOT *KIT-DECAL HOOD	Formula S		64,09 \$		110,50 \$
415052600	MODULE ALLUM.AS *MODULE-IGNIT.A	GT SE		156,57 \$		269,95 \$
415052700	CAME *CAM	Mach I		2,84 \$		4,90 \$
415052800	GUIDE RESSORT *GUIDE-SPRING	Mach I		0,35 \$		0,65 \$
415053000	ENS.DECAL.CAPOT *KIT-DECAL HOOD	Touring SLE		29,55 \$		50,95 \$
415053100	ENS.DECAL.BRAS *KIT-DECAL ARM	Touring SLE, LE, E, E LT		4,21 \$		7,25 \$
415053200	ENS.DECAL.CAPOT *KIT-DECAL HOOD	Touring SLE		70,36 \$		121,50 \$
415053400	ENS.DECAL.CAPOT *KIT-DECAL SIDE	Touring LE		29,55 \$		50,95 \$
415053500	ENS.DECAL.CAPOT *KIT-DECAL HOOD	Touring LE		60,92 \$		105,50 \$
415053600	ENS.GARNITURES *KIT-PADS BRAKE	Formula 583, 500, Touring SLE, LE		29,45 \$		50,95 \$
415054800	ENS.DECAL.CAPOT *KIT-DECAL SIDE	Touring E, E LT		29,55 \$		50,95 \$
415054900	ENS.DECAL.CAPOT *KIT-DECAL HOOD	Touring E		58,81 \$		101,50 \$
415055100	ENS.DECAL.CAPOT *KIT-DECAL HOOD	Touring E LT		67,26 \$		116,00 \$
415055800	ENS.DECAL.CAPOT *KIT-DECAL.HOOD	Skandic 500		69,37 \$		119,95 \$
415056400	ENS.DECAL.CAPOT *KIT-DECAL.HOOD	Skandic 380		69,37 \$		119,95 \$
415057100	ENS.DECAL.CAPOT *KIT-DECAL SIDE	GT 583, 500		25,28 \$		43,95 \$
415057200	ENS.DECAL.BRAS *KIT-DECAL ARM	GT 583, 500		7,72 \$		13,50 \$
415057300	ENS.DECAL.CAPOT *KIT-DECAL.HOOD	GT 500		64,44 \$		111,50 \$
415058000	ENS.DECAL.CHAS. *KIT-DECAL FRA.	GT 583		5,65 \$		9,75 \$
415058100	ENS.DECAL.CAPOT *KIT-DECAL.HOOD	GT 583		69,72 \$		120,50 \$
415058500	ENS.DECAL.CAPOT *KIT-DECAL SIDE	Formula 583		29,55 \$		50,95 \$
415058600	ENS.DECAL.CHAS. *KIT-DECAL FRA.	Formula Z, 583, 500		5,65 \$		9,75 \$

Bombardier Inc. (Corporation) reserves the right to change prices without notice.

CANADA

## NEW 1997 SKI-DOO PARTS

Part Number No. de Piéce	Description	Application	Qty Qté	Dealer Price Prix Conc.	Total	Sugg Retail Détail Sugg
415058700	ENS.DECAL CAPOT *KIT-DECAL HOOD	Formula 583		82,05 \$		141,50 \$
415058900	ENS.DECAL CAPOT *KIT-DECAL SIDE	Formula 500		27,38 \$		47,50 \$
415059000	ENS.DECAL.CAPOT *KIT-DECAL HOOD	Formula 500		68,31 \$		117,95 \$
415059100	ENS.DECAL CAPOT *KIT-DECAL SIDE	Formula Z		27,47 \$		47,50 \$
415059200	ENS.DECAL.CAPOT *KIT-DECAL HOOD	Formula Z		71,13 \$		122,95 \$
415059400	ENS.DECAL CAPOT *KIT-DECAL SIDE	Formula III, III LT		35,81 \$		61,95 \$
415059500	ENS.DECAL.BRAS *KIT-DECAL ARM	Formula III, III LT		13,08 \$		22,95 \$
415059600	ENS.DECAL.CHAS. *KIT-DECAL FRA.	Formula III		5,65 \$		9,75 \$
415059700	ENS.DECAL.CAPOT *KIT-DECAL HOOD	Formula III		75,99 \$		131,50 \$
417003502	FLASQUE FIXE US *FLANGE-FIX.MAC	Formula Z, 583, MX Z 583, Summit 583, GT 583, Touring LE, Skandic 500		T.B.A.		T.B.A.
417003700	FLASQUE COUL.AS *FLANGE-SLID.AS	Mach Z, Z LT, I, For III, III LT, Z, 583, 500, 500 Deluxe, SL, MX Z 670, 583, 440, 440F Summit 670, 583, 500, GT SE, 583, 500, Touring SLE, LE, Skandic 500		T.B.A.		T.B.A.
417005700	RESSORT *SPRING-CLUTCH	Mach Z, Z LT, I, For III, III LT, Z, 583, 500, 500 Deluxe, SL, MX Z 670, 583, 440, 440F Summit 670, 583, 500, GT SE, 583, 500, Touring SLE, LE, Skandic 500		0,35 \$		0,60 \$
417005800	GLISSIERE *SHOE-SLIDER	Mach Z, Z LT, I, For III, III LT, Z, 583, 500, 500 Deluxe, SL, MX Z 670, 583, 440, 440F Summit 670, 583, 500, GT SE, 583, 500, Touring SLE, LE, Skandic 500		8,56 \$		11,95 \$
417121200	FLASQUE INT. *FLANGE-INNER	Formula S, Skandic 380		T.B.A.		T.B.A.
417121300	FLASQUE EXT.MOB *FLANGE-OUTER	Formula S, Skandic 380		T.B.A.		T.B.A.
417121400	COUV.RESSORT *COVER-SPRING	Formula S, Skandic 380		T.B.A.		T.B.A.
417121500	CAPUCHON *CAP	Formula S, Skandic 380		T.B.A.		T.B.A.
417215200	POULIE MOTRICE *PULLEY-DRIVE	Formula S		347,79 \$		599,95 \$
417215300	POULIE MOTRICE *PULLEY-DRIVE	Skandic 380		347,79 \$		599,95 \$
417215700	POULIE MOTRICE *PULLEY-DRIVE	Formula Z, 583, GT 583, Skandic 500		347,79 \$		599,95 \$
417215900	POULIE MOTRICE *PULLEY-DRIVE	Formula 500, GT 500		347,79 \$		599,95 \$
417216200	POULIE MOTRICE *PULLEY-DRIVE	Touring E		347,79 \$		599,95 \$
417216300	POULIE MOTRICE *PULLEY-DRIVE	Touring E LT		347,79 \$		599,95 \$
418000000	DEC.SKI-DOO *DECAL-SKI-DOO	Mach Z, Z LT, I, For III, III LT, Z, Summit 670, 583, 500, Skandic 500, 380, WT, Super WT		4,65 \$		8,25 \$
418000001	DECAL. SKI-DOO *DECAL-SKI-DOO	GT SE, 583, 500		5,25 \$		9,25 \$
418000002	DECAL. SKI-DOO *DECAL-SKI-DOO	Formula 583, 500, 500 Deluxe, SL, S		5,25 \$		9,25 \$
418000003	DECAL. SKI-DOO *DECAL-SKI-DOO	Touring SLE, LE, E, E LT		5,25 \$		9,25 \$
418000005	DECAL. SKI-DOO *DECAL-SKI-DOO	MX Z 670, 583, 440, 440F		5,25 \$		9,25 \$
418000006	DECAL. SKI-DOO *DECAL-SKI-DOO	Tundra II LT		5,25 \$		9,25 \$
418000100	DECAL ROTAX *DECAL-ROTAX	GT 500		2,84 \$		4,90 \$
418000101	DECAL ROTAX *DECAL-ROTAX	GT 583		2,84 \$		4,90 \$
418000102	DECAL ROTAX *DECAL-ROTAX	GT SE		2,84 \$		4,90 \$
418000103	DECAL ROTAX *DECAL-ROTAX	Formula S		2,47 \$		4,30 \$

## NEW 1997 SKI-DOO PARTS

Part Number No. de Piéce	Description	Application	Qty Qté	Dealer Price Prix Cosc.	Total	Sugg Retail Detail Sugg
418000104	DECAL ROTAX *DECAL-ROTAX	Formula SL		2,47 \$		4,30 \$
418000105	DECAL ROTAX *DECAL-ROTAX	Touring E, E LT		2,47 \$		4,30 \$
418000106	DECAL ROTAX *DECAL-ROTAX	Touring LE		2,47 \$		4,30 \$
418000107	DECAL ROTAX *DECAL-ROTAX	Touring SLE		2,47 \$		4,30 \$
418000111	DECAL ROTAX *DECAL-ROTAX	MX Z 440, 440F		2,84 \$		4,90 \$
418000112	DECAL ROTAX *DECAL-ROTAX	MX Z 583		2,84 \$		4,90 \$
418000113	DECAL ROTAX *DECAL-ROTAX	MX Z 670		2,84 \$		4,90 \$
418000116	DECAL ROTAX *DECAL-ROTAX	Formula Z		2,84 \$		4,90 \$
418000117	DECAL ROTAX *DECAL-ROTAX	Formula 583		2,84 \$		4,90 \$
418000118	DECAL ROTAX *DECAL-ROTAX	Formula III, III LT		2,84 \$		4,90 \$
418000120	DECAL ROTAX *DECAL-ROTAX	Mach Z, Z LT, I		2,84 \$		4,90 \$
418000121	DECAL ROTAX *DECAL-ROTAX	Summit 583		2,84 \$		4,90 \$
418000122	DECAL ROTAX *DECAL-ROTAX	Summit 670		2,84 \$		4,90 \$
418000123	DECAL ROTAX *DECAL-ROTAX	Summit 500		3,57 \$		6,25 \$
418000124	DECAL ROTAX *DECAL-ROTAX	Formula 500, 500 Deluxe		2,47 \$		4,30 \$
418000900	DECAL. R.A.V.E.*DECAL-R.A.V.E.	GT SE		1,97 \$		3,40 \$
418000901	DECALQUE RAVE *DECAL-RAVE	MX Z 670, 583, 440		1,97 \$		3,40 \$
418000902	DECAL. R.A.V.E.*DECAL-R.A.V.E.	Formula III, III LT		1,97 \$		3,40 \$
418001000	BANDE DECOR. *PIN-STRIPE	GT SE		1,06 \$		1,90 \$
418001001	BANDE DECOR. *PIN-STRIPE	GT 583		1,06 \$		1,90 \$
418001002	BANDE DECOR. *PIN-STRIPE	MX Z 670, 583, 440, 440F		1,06 \$		1,90 \$
418001003	BANDE DECOR. *PIN-STRIPE	Summit 670, 583		1,06 \$		1,90 \$
418001004	BANDE DECOR. *PIN-STRIPE	Formula Z, Summit 670, 583		1,06 \$		1,90 \$
418001005	BANDE DECOR. *PIN-STRIPE	GT SE		1,06 \$		1,90 \$
418001006	BANDE DECOR. *PIN-STRIPE	Mach Z, I, Formula III, Z		1,06 \$		1,90 \$
418001007	BANDE DECOR. *PIN-STRIPE	Mach Z LT, Formula III LT		1,06 \$		1,90 \$
418001008	BANDE DECOR. *PIN-STRIPE	GT 583		1,06 \$		1,90 \$
418001100	DECALQUE IDENT.*DECAL-IDENT.	Mach Z LT, Formula III LT		2,33 \$		4,10 \$
418001101	DECALQUE IDENT.*DECAL-IDENT.	Touring E LT		1,94 \$		3,40 \$
418001300	DECAL. ELECTRIC*DECAL-ELECTRIC	Formula 500 Deluxe, GT SE, 583, 500, Touring SLE, LE, E, E LT		1,34 \$		2,40 \$
418001400	DECAL. D.P.M. *DECAL.-D.P.M.	GT SE		1,90 \$		3,30 \$
418001700	DECAL.AVERT. *DECAL-WARNING	GT SE		1,91 \$		3,30 \$
418001800	DECAL.POIG.CHAU*DECAL-HEATGRIP	GT SE, 583, 500		3,39 \$		5,95 \$
418001900	DECAL.INTERRUPT*DECAL-SWITCH	GT SE		1,90 \$		3,30 \$
420810552	DEFLECTEUR CYL.*COWL-CYL.	Formula S, Touring E, E LT, Skandic 380		56,63 \$		97,95 \$
420810603	DEFLECTEUR CYL.*COWL-CYL.	Formula SL, Touring SLE, Skandic 500		130,22 \$		244,95 \$
420810776	DEFLECTEUR CYL.*COWL-CYL.	Touring LE		130,22 \$		224,95 \$

Bombardier Inc. (Corporation) reserves the right to change prices without notice.

CANADA

## NEW 1997 SKI-DOO PARTS

Part Number No. de Pièce	Description	Application	Qty Qté	Dealer Price Prix Conc.	Total	Sugg Retail Détail Sugg
420810795	DEFLECTEUR CYL. *COWL-CYL.	Formula S, Touring E, E LT, Skandic 380		48,75 \$		84,50 \$
420818269	DEMI-VILEB.MAG.*HALF-CRANK MAG	Formula SL, Touring SLE, Skandic 500		102,41 \$		140,50 \$
420887247	VILEBREQUIN *CRANKSHAFT	Formula S, Touring LE, E, E LT, Skandic 380		541,37 \$		741,95 \$
420887460	PISTON 71,92 *PISTON-71,92	Tundra II LT		77,19 \$		133,50 \$
420887461	PISTON 72,17 *PISTON-72,17	Tundra II LT		81,55 \$		140,95 \$
420887462	PISTON 72,42 *PISTON-72,42	Tundra II LT		81,55 \$		140,95 \$
420887465	PISTON 71,91 *PISTON-71,91	Formula SL, Touring SLE, Skandic 500		73,66 \$		127,00 \$
420887466	PISTON 72,16 *PISTON-72,16	Formula SL, Touring SLE, Skandic 500		77,28 \$		133,50 \$
420887467	PISTON 72,41 *PISTON-72,41	Formula SL, Touring SLE, Skandic 500		77,28 \$		133,50 \$
420887470	PISTON 61,94 *PISTON 61,94	Formula S, Touring E, E LT, Skandic 380		73,66 \$		127,00 \$
420887471	PISTON 62,19 *PISTON 62,19	Formula S, Touring E, E LT, Skandic 380		77,28 \$		133,50 \$
420887472	PISTON 62,44 *PISTON 62,44	Formula S, Touring E, E LT, Skandic 380		77,28 \$		133,50 \$
420887480	PISTON 67,43 *PISTON-67,43	Touring LE		81,41 \$		140,50 \$
420887481	PISTON 67,68 *PISTON-67,68	Touring LE		85,43 \$		147,50 \$
420887482	PISTON 67,93 *PISTON-67,93	Touring LE		85,43 \$		147,50 \$
420887690	DEMAR.RAPPEL *STARTER-REWIND			88,20 \$		152,50 \$
420887691	ENS.DEMA.RAPPEL *KIT-STA.REWIND	Formula SL, Skandic 500		88,20 \$		152,50 \$
420887781	CARTER MOTEUR *CRANKCASE-ASSY	Formula S, Touring LE, E, E LT, Skandic 380		428,75 \$		587,50 \$
420887792	CARTER MOTEUR *CRANKCASE-ASSY	Formula SL, Touring SLE, Skandic 500		457,92 \$		627,50 \$
420913218	CYLINDRE + CHEM *CYLINDER-W.SLE	Touring LE, Tundra II LT		285,60 \$		391,50 \$
420923358	CYLINDRE MAG. *CYLINDER-MAG.	Touring LE		207,39 \$		284,50 \$
420923375	CULASSE *HEAD-CYLINDER	Touring LE		73,07 \$		100,50 \$
420923400	CYLINDRE PTO. *CYLINDER-PTO.	Formula S, Touring E, E LT, Skandic 380		207,39 \$		284,50 \$
420923405	CYLINDRE MAG. *CYLINDER-MAG.	Formula S, Touring E, E LT, Skandic 380		207,39 \$		284,50 \$
420923410	CYLINDRE + CHEM *CYLINDER-W.SLE	Formula SL, Touring SLE, Skandic 500		228,40 \$		312,95 \$
420923531	CHEMISE CYL. *SLEEVE-CYL.	Touring LE		68,37 \$		117,95 \$
420926180	WASHER-5,2 X 14,8 X1,5	Formula SL, S, Touring SLE, LE, E, E LT, Skandic 500, 380		0,17 \$		0,30 \$
420973984	COLLET ECHAPP. *COLLAR-EXHAUST	MX Z 670, 583		95,83 \$		165,50 \$
420973989	COLLECT.ECHAPP.*MANIFOLD-EXH.	Formula Z, 583, Summit 670, 583, GT 583		95,83 \$		165,50 \$
420996447	VILEBREQUIN *CRANKSHAFT	Formula SL, Touring SLE, Skandic 500		580,25 \$		794,95 \$
501026200	CAPUCHON *CAP	Formula SL, S, Touring LE, E, E LT		2,39 \$		4,20 \$
503170500	RAIL USINE *RUNNER-MACH.	Mach Z, I, Formula III, Z, MX Z 670, 583		T.B.A.		T.B.A.
503170700	BRAS ARR.SOUDE *ARM-REAR WELD.	Formula 583, 500, 500 Deluxe, Summit 670, 583, 500, GT 583, 500		T.B.A.		T.B.A.
503170800	RAIL USINE *RUNNER-MACH.	MX Z 670, 583, 440		T.B.A.		T.B.A.
503170900	BARRE ACCOUP. *TIE-ROD	Mach Z LT, Formula III LT, GT SE, 583		T.B.A.		T.B.A.
503171000	RONDELLE *WASHER	Mach Z, Z LT, I, Formula III LT, Z, 583, 500, 500 Deluxe, SL, S, MX Z 670, 583, 440 440F, Summit 670, 583, 500, GT SE, 583, 500, Tou SLE, LE, E, E LT, Skandic 500, 380		1,91 \$		3,30 \$



## NEW 1997 SKI-DOO PARTS

Part Number No. de Piéce	Description	Application	Qty Qté	Dealer Price Prix Conc.	Total	Sugg Retail Detail Sugg
503171100	BRAS AVANT SOUD* ARM FRONT WELD	Mach Z, Z LT, I, For III, III LT, Z, MX Z 670, 583, 440, GT SE, 583		T.B.A.		T.B.A.
503171200	PLAQUE RENFORT *PLATE-REINF.	Mach Z LT, Formula III LT, GT SE		T.B.A.		T.B.A.
503171300	RAIL USINE *RUNNER-MACH	Mach Z LT, Formula III LT, GT SE, 583		T.B.A.		T.B.A.
503171400	LEVIER SOUDE *LEVER-WELD	Mach Z LT, Formula III LT, GT SE		T.B.A.		T.B.A.
503171500	BRAS ARR.SOUDE *ARM-REAR WELD.	GT SE, 583		T.B.A.		T.B.A.
503171600	AXE BARRE ACCO.*AXLE-TIE ROD	GT SE, 583		T.B.A.		T.B.A.
503171700	AXE PIVOT *AXLE-PIVOT	GT SE, 583		T.B.A.		T.B.A.
503171800	PLAQUE RENFORT *PLATE-REINF.	Summit 670, 583, 500, GT 583, 500, Touring SLE, LE, E LT, Skandic 500, 380		T.B.A.		T.B.A.
503171900	ATTACHE SOUDEE *BRACKET-WELD.	Mach Z, Z LT, I, Formula III, III LT, Z, MX Z 670, 583, 440, GT SE, 583		T.B.A.		T.B.A.
503172400	RAIL USINE *RUNNER-MACH	Summit 670, 583, 500, GT 500, Touring SLE, LE, E LT, Skandic 500, 380		T.B.A.		T.B.A.
503172700	RONDELLE *WASHER	Mach Z, Z LT, I, Formula III, III LT, Z, MX Z 670, 583, 440, GT SE, 583		0,54 \$		0,95 \$
503172800	BRAS ARR.SOUDE *ARM-REAR WELD.	Mach Z, Z LT, I, Formula III, III LT, Z, MX Z 670, 583, 440		T.B.A.		T.B.A.
503172900	DOUILLE SOUDEE *BUSHING-WELD.	Mach Z, Z LT, I, Formula III, III LT, Z, MX Z 670, 583, 440, GT SE, 583		T.B.A.		T.B.A.
503173000	RONDELLE *WASHER	Mach Z, Z LT, I, Formula III, III LT, Z, MX Z 670, 583, 440, GT SE, 583		0,17 \$		0,30 \$
503173100	TIGE FILETEE *ROD-THREADED	Mach Z, Z LT, I, Formula III, III LT, Z, MX Z 670, 583, 440, GT SE, 583		4,51 \$		7,95 \$
504098300	ARBRE RENVOI *SHAFT-COUNTER	For 583, 500, 500 Deluxe, SL, MX Z 440F, Summit 583, 500, GT 583, 500, Tou SLE, LE		139,65 \$		240,95 \$
504143600	FLASQUE COUL.AS*FLANGE-SLID.AS	Mach Z		T.B.A.		T.B.A.
504144600	CARTER CHAINE U*CASE-CHAIN MAC	Formula S, Touring E, E LT, Skandic 500, 380		79,45 \$		137,00 \$
504144700	CARTER CHAINE U*CASE-CHAIN MAC	Mach Z, Z LT, I, For III, III LT, Z, 583, 500, 500 Deluxe, MX Z 670, 583, 440 Summit 670, 583, 500, GT SE, 583, 500		79,45 \$		137,00 \$
504144701	CARTER CHAINE U*CASE-CHAIN MAC	Formula SL, MX Z 440F, Touring SLE, LE		79,45 \$		137,00 \$
504146300	LOGEMENT *HOUSING	Mach Z, Z LT		14,32 \$		24,95 \$
504146400	ENTRETOISE *SPACER	Formula SL, S, Touring LE, E, E LT		1,80 \$		3,10 \$
504146700	RALLONGE ARBRE *EXT-COUNTERSHA	Mach Z, Z LT, GT 583, 500		6,97 \$		12,50 \$
505067320	LISSE CARBURE *RUNNER-CARBIDE	Mach Z, Z LT, I, Formula III, III LT, Z		48,64 \$		83,95 \$
505067500	SUPPORT SKI SOU*SUPPORT-SKI WE	Mach Z, Z LT, I, For III, III LT, Z, 500 Deluxe, Summit 670, 583, 500, GT SE, 583, 500		T.B.A.		T.B.A.
505067509	BUTEE *STOPPER	Mach Z, Z LT, I, For III, III LT, Z, 500 Deluxe, Summit 670, 583, 500, GT SE, 583, 500		T.B.A.		T.B.A.
505067810	SKI SOUDE *SKI-WELD.	For Z, 583, 500, 500 Deluxe, S, MX Z 440F, Tou SLE, LE, E, E LT, Skandic 500, 380		41,41 \$		71,50 \$
506133610	BRAS OSC.GA. *ARM-SWING LH W	Formula 583, GT 583, 500		96,79 \$		166,95 \$
506133710	BRAS OSC.DR. *ARM-SWING RH W	Formula III, III LT, Z, 583, 500, 500 Deluxe, GT 583, 500		96,79 \$		166,95 \$
506133800	BRAS PIVOT.SOUD*ARM-PIVOT WELD	Mach Z, Z LT, I, For III, III LT, Z, 583, 500, 500 Deluxe, MX Z 670, 583, 440, 440F Summit 670, 583, 500, GT SE, 583, 500		T.B.A.		T.B.A.
506134100	BARRE STABILIS.*BAR-STABILIZER	Formula 583, 500, 500 Deluxe, SL		14,64 \$		25,50 \$
506134300	STABILISATEUR *STABILISATOR	Mach Z, Z LT, I, Formula III, III LT, MX Z 670, 583, 440		35,47 \$		61,50 \$
506134402	LEVIER STABIL.U*LEVER-STABIL.M	Mach Z, Z LT, I, Formula III, III LT, MX Z 670, 583, 440		7,04 \$		12,50 \$
506136000	BARRE ACCOUP. *TIE-ROD	Formula Z, 583, 500, 500 Deluxe, GT SE, 583, 500		10,24 \$		17,95 \$

## NEW 1997 SKI-DOO PARTS

Part Number No. de Pièce	Description	Application	Qty Qté	Dealer Price Prix Conc.	Total	Sugg Retail Détail Sugg
506136100	ARBRE DIR.SOUDE*TUBE-MAIN WELD	Mach Z, Z LT, I, Formula III, III LT, GT SE		T.B.A.		T.B.A.
506136400	RONDELLE *WASHER	Mach Z, Z LT, I, For III, III LT, Z, 583, 500, 500 Deluxe, MX Z 670, 583, 440, 440F Summit 670, 583, 500, GT SE, 583, 500		0,21 \$		0,40 \$
506137010	BRAS OSC.DR. P.*ARM-SWING RH P	Formula III, III LT		93,17 \$		160,95 \$
506137110	BRAS OSC.GA. P.*ARM-SWING LH P	Formula III, III LT		93,17 \$		160,95 \$
506137510	BRAS OSC.DR. *ARM-SWING RH W	Formula S, Touring E, E LT, Skandic 500, 380		96,79 \$		166,95 \$
506137610	BRAS OSC.GA. *ARM-SWING LH W	Formula S, Touring E, E LT, Skandic 500, 380		96,79 \$		166,95 \$
506137810	BRAS OSC.DR. *ARM-SWING RH.	Touring SLE, LE		96,79 \$		166,95 \$
506139000	LOGEMENT USINE *HOUSING-MACH.	Mach Z, Z LT, I, Formula III, III LT, MX Z 670, 583, 440		21,47 \$		37,50 \$
506139200	JAMBE DE SKI *LEG-SKI	Mach Z, Z LT, I, For III, III LT, Z, 583, 500, 500 Deluxe, SL, S, MX Z 670, 583, 440 440F, Summit 583, 500, GT SE, 583, 500, Touring SLE, LE, E, E LT, Skandic 500, 380		40,30 \$		69,50 \$
507030600	DISQUE ASS. *DISK-ASSY.	For 583, 500, 500 Deluxe, SL, MX Z 440F, Summit 583, 500, GT 583, 500, Tou SLE, LE		43,58 \$		75,50 \$
512056700	RONDELLE-FREIN *WASHER-LOCK	All except/Tous sauf Tundra, Skandic WT and Super WT		1,82 \$		3,20 \$
512056800	PLAQUE APP.SOUD*PLATE-WELD.	Mach I, Formula III, III LT, GT SE		T.B.A.		T.B.A.
512056900	VIS DE BUTEE *SCREW-STOPPER	Mach Z, Z LT, I, Formula III, III LT, GT SE		2,47 \$		4,30 \$
512057000	PLAQUE APP.SOUD*PLATE-WELD.	Mach Z, Z LT		T.B.A.		T.B.A.
514046500	TUYAU ECHAPP.AS*PIPE-TUNED AS	Formula Z, 583, Summit 670, 583, GT 583		177,84 \$		306,95 \$
514046600	TUYAU ECHAPP.AS*PIPE-TUNED AS	MX Z 670, 583		235,36 \$		405,95 \$
514046700	TUYAU ECHAP.SOU*PIPE-MUFFLER W	Formula SL, Touring SLE, Skandic 500		298,16 \$		514,50 \$
514047800	TUY.SORTIE SOUD*PIPE-TAIL WELD	MX Z 583		39,57 \$		68,50 \$
514047900	TUY.ECH.PTO ASS*PIPE-TUN.PTO A	Mach I, GT SE		T.B.A.		T.B.A.
514048000	TUYAU ECH.CEN.A*PIPE-TUNED CEN	Mach I, GT SE		T.B.A.		T.B.A.
514048100	TUY.ECH.MAG.ASS*PIPE-TUN.MAG.A	Mach I, GT SE		T.B.A.		T.B.A.
514048200	BUTOIR *BUMPER	Formula 500, 500 Deluxe, MX Z 440, Summit 500, GT 500		2,25 \$		3,90 \$
514048300	TUY.SORTIE SOUD*PIPE-TAIL WELD	Formula Z		39,57 \$		68,50 \$
514048400	TUYAU ECHAP.ASS*PIPE-MUFFLER	GT 500		235,36 \$		405,95 \$
514048500	TUYAU ECHAP.ASS*PIPE-MUFFLER A	Formula 500, 500 Deluxe, Summit 500		235,36 \$		405,95 \$
514048600	SUPPORT TUYAU *SUPPORT-PIPE	Formula 500, 500 Deluxe, MX Z 440, Summit 500, GT 500		T.B.A.		T.B.A.
515163800	REGU.TENSION AS*REGU-VOLT.ASSY	Mach Z, Z LT, I, For III, III LT, Z, 583, 500, SL, S, MX Z 670, 583, 440, 440F Summit 670, 583, 500, GT SE, Skandic 500, 380, Tundra II LT		14,29 \$		24,95 \$
515163900	REGU.TENSION AS*REGULATOR-VOLT	Formula 500 Deluxe, GT 583, 500, Touring SLE, LE, E, E LT		37,85 \$		65,50 \$
515165000	ELEMENT CHAUF.A*HEATER-ASS.	GT SE, 583, 500		T.B.A.		T.B.A.
515165800	INTERRUPTEUR AS*SWITCH-ASSY.	GT 583, 500, Touring SLE, Skandic 500, 380		11,06 \$		19,50 \$
515166700	FIL DE BATTERIE*WIRE-BATTERY	Touring SLE, LE, E, E LT		7,95 \$		13,95 \$
515166900	CAPUCHON ASS. *CAP-ASSY.	GT SE		22,68 \$		39,50 \$
515167300	INTERRUPTEUR AS*SWITCH-ASSY.	GT SE		11,06 \$		19,50 \$
517285300	SUPPORT AVERTIS*HORN-SUPPORT	GT SE		T.B.A.		T.B.A.

## NEW 1997 SKI-DOO PARTS

Part Number No. de Pièce	Description	Application	Qty Qté	Dealer Price Prix Cosc.	Total	Sugg Retail Détail Sugg
517285400	GARDE-COURR.ASS*GUARD-BELT ASS	Formula SL, S, MX Z 440F, Touring SLE, LE, E, E LT, Skandic 500, 380		63,96 \$		110,50 \$
517285500	GARDE-COURR.ASS*GUARD-BELT ASS	Summit 670, 583, 500		63,96 \$		110,50 \$
517285600	GARDE-COURR.ASS*GUARD-BELT ASS	Formula 583, 500, 500 Deluxe, MX Z 670, 583, 440, GT 583, 500		63,96 \$		110,50 \$
517285800	ATT.CHARN.SOU. *BRKT-HINGE WEL	For Z, 583, 500, 500 Deluxe, SL, S, MX Z 670, 583, 440, 440F, Summit 670, 583, 500 GT 583, 500, Touring SLE, LE, E, E LT, Skandic 500, 380		T.B.A.		T.B.A.
517285900	GRILLE ADM. *GRILL-INTAKE	Formula SL, S, MX Z 440F, Touring SLE, LE, E, E LT, Skandic 500, 380		T.B.A.		T.B.A.
517286000	LANIERE SOUDEE *STRIP-STEEL W	Formula 500 Deluxe, GT SE, 583, 500, Touring SLE, LE, E, E LT		1,86 \$		3,30 \$
517286100	LANIERE *STRIP-STEEL	Formula 500 Deluxe, GT SE, 583, 500, Touring SLE, LE, E, E LT		1,36 \$		2,40 \$
517286200	SIEGE BATTERIE *SEAT-BATTERY	Formula 500 Deluxe, GT SE, 583, 500, Touring SLE, LE, E, E LT		7,05 \$		12,50 \$
517287200	PLAQUE EN Z SOU*PLATE-Z WELD.	Touring SLE, LE, E LT, Skandic 500, 380		T.B.A.		T.B.A.
517287400	SUPPORT GAUCHE *SUPPORT-LH	Formula S, Summit 583, GT 583, 500, Touring LE, E, E LT, Skandic 500, 380		5,36 \$		9,25 \$
517287500	SUPPORT DROIT *SUPPORT-RH	For Z, 583, 500, 500 Deluxe, SL, S, MX Z 670, 583, 440, 440F, Summit 670, 583, 500 GT 583, 500, Touring SLE, LE, E, E LT, Skandic 500, 380		5,36 \$		9,25 \$
517287600	BRAS DR.EMBALLÉ*ARM-RH PACKED	GT SE, 583, 500		T.B.A.		T.B.A.
517289800	BRAS GA.EMBALLÉ*ARM-LH PACKED	GT SE, 583, 500		T.B.A.		T.B.A.
517289900	CHARNIERE INF.S*HINGE-LOW.WELD	For Z, 583, 500, 500 Deluxe, SL, S, MX Z 670, 583, 440, 440F, Summit 670, 583, 500 GT 583, 500, Touring SLE, LE, E, E LT, Skandic 500, 380		4,40 \$		7,75 \$
517290000	GUIDE *GUIDE	GT SE, 583, 500		T.B.A.		T.B.A.
517290200	RADIATEUR DR.SO*RADIATOR-RH.WE	GT 583, 500		221,40 \$		381,95 \$
517290201	RADIATEUR GA.SO*RAD.-LH.WELD.	GT 583, 500		221,40 \$		381,95 \$
517290300	SUPPORT RES.SOU*SUPP-TANK WELD	GT SE		T.B.A.		T.B.A.
518316240	CADRE SOUDE *MEMBER-FRONT	Formula SL, S, Touring E		633,35 \$		867,95 \$
518316241	CADRE SOUDE *MEMBER-FRONT	Touring SLE, LE, E LT, Skandic 500, 380		633,35 \$		867,95 \$
518316242	CADRE SOUDE *MEMBER-FRONT	Formula 583, 500, GT 583, 500		633,35 \$		867,95 \$
518316243	CADRE SOUDE *MEMBER-FRONT	Formula Z		633,35 \$		867,95 \$
518316245	CADRE SOUDE *MEMBER-FRONT	Formula III		633,35 \$		867,95 \$
518316702	SUP.REP.PI.GA.S*SUP.-FOOT.LH W	All 1997 models except/Tous modèles 1997 sauf Tundra Skandic WT and Super WT		T.B.A.		T.B.A.
518316703	SUP.REP.PI.DR.S*SUP.-FOOT.RH W	All 1997 models except/Tous modèles 1997 sauf Tundra Skandic WT and Super WT		T.B.A.		T.B.A.
518316704	SUPPORT SILENC.*SUPPORT-MUFFLE	Formula S, Touring LE, E, E LT, Skandic 380		T.B.A.		T.B.A.
518316705	RENF.TUNNEL GA.*REINF-FRAME LH	Touring SLE, LE, E LT, Skandic 500, 380		7,13 \$		12,50 \$
518316706	RENF.TUNNEL DR.*REINF-FRAME RH	Touring SLE, LE, E LT, Skandic 500, 380		7,13 \$		12,50 \$
518316709	PLAQUE RENF.DR.*PLATE-REINF.RH	All 1997 models except/Tous modèles 1997 sauf Tundra Skandic WT and Super WT		T.B.A.		T.B.A.
518316710	PLAQUE RENF.GA.*PLATE-REINF.LH	All 1997 models except/Tous modèles 1997 sauf Tundra Skandic WT and Super WT		T.B.A.		T.B.A.
518316713	RENF.TUNNEL GA.*REINF-FRAME LH	Formula SL, S, MX Z 440F, Touring E		T.B.A.		T.B.A.
518316714	RENF.TUNNEL DR.*REINF-FRAME RH	Formula SL, S, MX Z 440F, Touring E		T.B.A.		T.B.A.
518316757	REPOSE-PIED DR.*FOOTREST-RH.	GT SE		8,74 \$		15,50 \$
518316758	REPOSE-PIED GA.*FOOTREST-LH.	GT SE		8,74 \$		15,50 \$

## NEW 1997 SKI-DOO PARTS

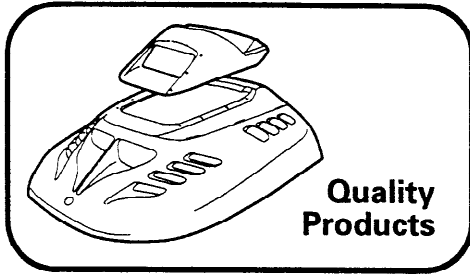
Part Number No. de Pièce	Description	Application	Qty Qté	Dealer Price Prix Conc.	Total	Sugg Retail Détail Sugg.
518316802	TUNNEL *FRAME-FORMING	Touring E		223,06 \$		305,95 \$
518316804	TUNNEL *FRAME-FORMING	Touring LE, Skandic 500, 380		223,06 \$		305,95 \$
518316805	TUNNEL *FRAME-FORMING	Touring SLE, LE, E LT		223,06 \$		305,95 \$
518316840	TUNNEL *FRAME-FORMING	Formula III		223,06 \$		305,95 \$
518316843	TUNNEL *FRAME-FORMING	Formula SL, S		223,06 \$		305,95 \$
529031600	CLE REGLAGE *WRENCH-ADJ.	Mach I		T.B.A.		T.B.A.
560314800	GLISSIERE 121" *SHOE-RUNNER	Mach Z, I, Formula III, Z, MX Z 670, 583, 440		13,90 \$		24,00 \$
560314900	GLISSIERE *SHOE-RUNNER	All 1997 models except/Tous modèles 1997 sauf Tundra, Skandic WT and Super WT		13,90 \$		24,00 \$
561723200	TABLEAU BORD RE*DASH-REW.	GT SE		20,72 \$		35,95 \$
570045105	CAPUCHON COQUE *CAP-PAN BOTTOM	GT SE		3,06 \$		5,50 \$
570045228	ROUE 135 *WHEEL-135 BLEU GEAI/BLUE JAY	GT SE		10,95 \$		18,95 \$
570045229	ROUE 135 *WHEEL-135 BLEU FRANC/FRENCH BLUE	Summit 500, 583, 670		10,95 \$		18,95 \$
570045230	ROUE 135 *WHEEL-135 VERT SAPIN/FIR GREEN	GT 583, 500		10,95 \$		18,95 \$
570045328	ROUE 165 *WHEEL-165 BLEU GEAI/BLUE JAY	GT SE		15,17 \$		26,50 \$
570045329	ROUE 165 *WHEEL-165 BLEU FRANC/FRENCH BLUE	Summit 500, 583, 670		15,17 \$		26,50 \$
570045330	ROUE 165 *WHEEL-165 VERT SAPIN/FIR GREEN	GT 583, 500		15,17 \$		26,50 \$
570053701	CAPUCHON COQUE *CAP-PAN BOTTOM	Formula 500, 500 Deluxe		3,11 \$		5,50 \$
570053702	CAPUCHON COQUE *CAP-PAN BOTTOM	For 583, SL, S, Summit 670, 583, 500, GT 583, 500, Touring SLE, LE, E, E LT, Skandic 500, 380		3,11 \$		5,50 \$
570053703	CAPUCHON COQUE *CAP-PAN BOTTOM	Formula Z		3,11 \$		5,50 \$
570063000	BUTEE CAOUTCH. *STOPPER-RUBBER	All 1997 models except/Tous modèles 1997 sauf Tundra, Skandic WT and Super WT		3,28 \$		5,75 \$
570064000	TAMPON ANCRAGE *MOUNT-RUBBER	GT SE		7,27 \$		12,95 \$
570209400	CHENILLE *TRACK-ASS 15" x 136" (18,4)	Touring SLE, LE, E LT		431,28 \$		684,95 \$
570209500	CHENILLE *TRACK-ASS 15" x 136" (23,2)	Touring LE, Skandic 500, 380		433,91 \$		688,95 \$
570209600	CHENILLE *TRACK-ASS 15" x 121" (18,4)	Formula SL, S, MX Z 440F, Touring E		376,89 \$		598,50 \$
570209700	CHENILLE *TRACK- 15" x 136" (18,4)	GT 583, 500		437,71 \$		694,95 \$
570209900	CHENILLE *TRACK 15" x 121" (23,2)	Mach Z, I, Formula III		390,42 \$		619,95 \$
570210000	CHENILLE *TRACK 15" x 136" (23,2)	Mach Z LT, Formula III LT, GT SE, 583, 500		445,10 \$		706,95 \$
570210100	CHENILLE *TRACK 15" x 121" (23,2)	Mach Z, Formula Z, 583, MX Z 670, 583		386,78 \$		613,95 \$
571009400	RESERVOIR ESSEN*TANK-FUEL	Formula Z, GT 583, 500		78,31 \$		135,50 \$

## NEW 1997 SKI-DOO PARTS

Part Number No. de Pièce	Description	Application	Qty Qté	Dealer Price Prix Conc.	Total	Sugg Retail Detail Sugg.
572052702	CONSOLE INTER. *DASH-SWITCH	For Z, 583, 500, 500 Deluxe, SL, S, MX Z 670, 583, 440, 440F, Summit 670, 583, 500 GT 583, 500, Touring SLE, LE, E, E LT, Skandic 500, 380		2,39 \$		4,20 \$
572076104	COQUE *PAN-BOTTOM	GT SE		131,69 \$		180,50 \$
572076203	COQUE *PAN-BOTTOM	For 583, SL, S, Summit 670, 583, 500, GT 583, 500, Touring SLE, LE, E, E LT, Skandic 500,380		106,51 \$		145,95 \$
572076204	COQUE *PAN-BOTTOM	Formula 500, 500 Deluxe		122,60 \$		167,95 \$
572076205	COQUE *PAN-BOTTOM	Formula Z		122,60 \$		167,95 \$
572077115	CAPOT *HOOD	Formula SL		399,94 \$		547,95 \$
572077123	CAPOT *HOOD	Formula S		399,94 \$		547,95 \$
572077129	CAPOT *HOOD	Skandic 500, 380		399,94 \$		547,95 \$
572077130	CAPOT *HOOD	Touring SLE		399,94 \$		547,95 \$
572077131	CAPOT *HOOD	GT 583, 500		399,94 \$		547,95 \$
572077133	CAPOT *HOOD	Formula Z		399,94 \$		547,95 \$
572077134	CAPOT *HOOD	Touring E, E LT		399,94 \$		547,95 \$
572077135	CAPOT *HOOD	Touring LE		399,94 \$		547,95 \$
572077137	CAPOT *HOOD	Formula 583, 500		399,94 \$		547,95 \$
572079306	CAPOT *HOOD	GT SE		449,94 \$		616,50 \$
572079328	CAPOT *HOOD	Formula III, III LT		449,93 \$		616,50 \$
572083700	CONDUIT SORTIE *DUCT-OUTLET	MX Z 440F		8,10 \$		14,00 \$
572083800	MODLECT.SORTIE *DEFLECT.-OUTL.	Formula SL, MX Z 440F, Touring SLE, Skandic 500		5,61 \$		9,75 \$
572083900	CONDUIT SORTIE *DUCT-OUTLET	Formula SL, Touring SLE, Skandic 500		8,10 \$		14,00 \$
572084000	COUSSINET SECUR*PAD-STEERING	Formula S		24,54 \$		42,50 \$
572084100	COUSSINET SECUR*PAD-STEERING	Mach Z, Z LT, I, For III, III LT, Z, 583, 500, 500 Deluxe, SL, MX Z 670, 583, 440, 440F Summit 670, 583, 500, GT 583, 500		24,54 \$		42,50 \$
572084400	POIGNEE DEMAR. *GRIP-STARTER	All 1997 models except/Tous modèles 1997 sauf Tundra, Skandic WT and Super WT		2,59 \$		4,50 \$
572084500	MANETTE ASS. *HANDLE-ASS.	Touring E, E LT, Skandic 380		21,31 \$		36,95 \$
572084600	SUPP.PARE-BRISE*SUPPORT-WINDSH	For Z, 583, 500, 500 Deluxe, MX Z 670, 583, 440, 440F, Summit 670, 583, 500, GT 583, 500		57,97 \$		99,95 \$
572084700	GARDE-NEIGE *GUARD-SNOW	GT 583, 500, Touring SLE, LE		25,22 \$		43,50 \$
572084800	RENFORT BUTEE *REINF.-STOPPER	Mach Z, Z LT, I, For III, III LT, Z, 583, 500, 500 Deluxe, SI, S, MX Z 440F, Summit 670, 583, 500, GT SE, 583, 500, Tou SLE, LE, E, E LT, Skandic 500, 380		0,49 \$		0,85 \$
572085000	COUSSINET SECUR*PAD-STEERING	GT SE		24,54 \$		42,50 \$
572085100	GARDE-NEIGE *GUARD-SNOW	Summit 670, 583, 500		25,22 \$		43,50 \$
572085200	GAINÉ POIGNEE *GRIP-HANDLE	GT SE		2,23 \$		3,90 \$
572085500	RESERVOIR ESSEN*TANK-FUEL	MX Z 670, 583		78,31 \$		135,50 \$
572085700	SKI PLASTIQUE *SKI-PLASTIC	Mach Z, Z LT, I, For III, III LT, Z, 583, 500, 500 Deluxe, SL, S, Summit 670, 583, 500, GT SE, 583, 500, Touring SLE, LE, E, E LT		33,66 \$		58,50 \$

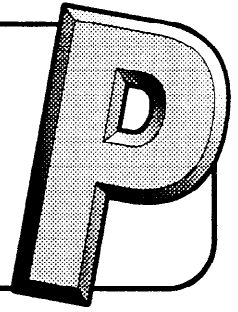
## NEW 1997 SKI-DOO PARTS

Part Number No. de Piéce	Description	Application	Qty Qté	Dealer Price Prix Conc.	Total	Sugg Retail Détail Sugg
572085900	MANETTE ASS. *HANDLE-ASS.	Formula SL, MX Z 440, 440F, Touring SLE, LE, Skandic 500		21,31 \$		36,95 \$
572086000	DOUILLE *BUSHING	Formula 583, 500, 500 Deluxe, Summit 670, 583, 500, GT 583, 500		3,17 \$		5,50 \$
572086500	LOGEMENT FREIN *HOUSING-BRAKE	Formula S, Touring E, E LT, Skandic 500, 380		8,15 \$		14,50 \$
572086600	PLAQUE GAUCHE *PLATE-LH.	Formula S, Touring E, E LT, Skandic 500, 380		1,90 \$		3,30 \$
572086700	LOGEMENT ACC. *HOUSING-THROTT	Mach I, For III, III LT, SL, S, MX Z 440, 440F, Tou SLE, LE, E, E LT, Skandic 500, 380		4,40 \$		7,75 \$
572086800	PLAQUE *PLATE	Mach I, For III, III LT, SL, S, MX Z 440, 440F, Tou SLE, LE, E, E LT, Skandic 500, 380		1,55 \$		2,70 \$
572088700	REP.PIED ARR.DR*FOOTREST-RR.RH	GT SE, 583, 500		8,74 \$		15,50 \$
572088800	REP.PIED ARR.GA*FOOTREST-RR.LH	GT SE, 583, 500		8,74 \$		15,50 \$
572089200	LOGEMENT INTER.*HOUSING-SWITCH	GT SE, 583, 500		3,73 \$		6,50 \$
572089300	PLAQUE *PLATE	GT SE, 583, 500		T.B.A.		T.B.A.
572090300	MANETTE ASS. *HANDLE-ASS.	Mach I, Formula III, III LT		21,31 \$		36,95 \$
572090400	SKI PLASTIQUE *SKI-PLASTIC	Mach Z, I, Formula III		33,66 \$		58,50 \$
572090900	LOGEMENT ACC. *HOUSING-THROTT	GT SE		8,15 \$		14,50 \$
572091000	MANETTE ASS. *HANDLE-ASS.	GT SE		21,31 \$		36,95 \$
572091100	GARDE-NEIGE *GUARD-SNOW	GT SE		25,22 \$		43,50 \$
572091300	BOUCHON *CAP	All 1997 models except/Tous modèles 1997 sauf Tundra, Skandic WT and Super WT		0,42 \$		0,75 \$
572091400	ROUE 155 *WHEEL-155	Mach Z, Z LT, I, For III, III LT, Z, 583, 500, 500 Deluxe, MX Z 670, 583, 440, Summit 670, 583, 500, GT SE, 583, 500		15,17 \$		26,50 \$
572091600	RESERVOIR HUILE*TANK-OIL	Formula SL, S, MX Z 440F, Touring SLE, LE, E, E LT, Skandic 500, 380		26,79 \$		46,50 \$
580638605	SILENC.ADM.ASS.*INTAKE-AIR ASS	Formula 583, 500, 500 Deluxe, GT 583, 500		83,69 \$		144,50 \$
580649100	SILENC.ADM.ASS.*INTAKE-AIR ASS	Formula SL, Touring SLE, Skandic 500		83,69 \$		144,50 \$
580649200	SILENC.ADM.ASS.*INTAKE-AIR ASS	Formula S, MX Z 440F, Touring LE, E, E LT, Skandic 380		83,69 \$		144,50 \$
580649300	PORTE BAGAGE AS*RACK-ASS.	GT SE, 583, 500		260,98 \$		449,95 \$
580649600	BARREAU ASS. *ARM-ASS.	MX Z 440F		23,78 \$		41,00 \$
580649700	BARREAU ASS. *ARM-ASS.	Formula Z, 583, 500, 500 Deluxe, GT SE, 583, 500		23,78 \$		41,00 \$
580649800	BARREAU AJUST.A*ARM-ADJUST.ASS	Formula Z		23,78 \$		41,00 \$
580649900	BARREAU ASS. *ARM-ASS.	Mach Z, Z LT, I, Formula III, III LT, MX Z 670, 583, 440		23,78 \$		41,00 \$
580650800	BARREAU FIXE AS*ARM-FIXED ASS.	Mach Z, Z LT, I, Formula III, III LT, MX Z 670, 583		23,78 \$		41,00 \$
580653600	MANETTE ACC.ASS*HANDLE-THRO.AS	GT SE		40,57 \$		69,95 \$
580653800	BLOC PIVOT ASS.*BLOCK-PIVOT AS	Mach Z, Z LT, I, Formula III, III LT, Z, MX Z 670, 583, 440, GT SE, 583		22,89 \$		39,50 \$



**ski-doo®**

**Parts and  
Accessories**



**P-CL-96-08**

May 3, 1996

**MEMO TO: ALL U.S. SKI-DOO SNOWMOBILE DEALERS**

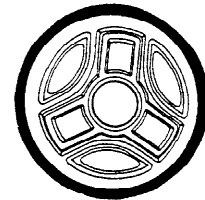
**ATTENTION: PARTS MANAGER**

**SUBJECT: NON PAINTED IDLER WHEEL, N/P 570 014 300**

Following many requests from dealers wanting a lower priced unpainted idler wheel, we would like to introduce a new 141mm idler wheel, P/N 570 014 300.

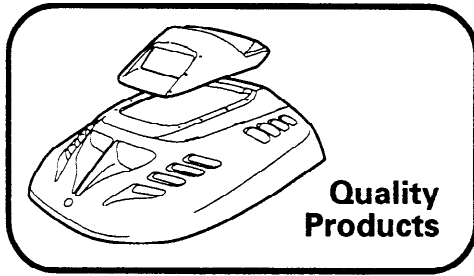
It has the same specifications as our aluminum idler wheel, P/N 503 099 600 but is not painted.

Item no: 780000008  
Suggested retail: \$14.95



This part should be available in fall. You can place an order through your respective order desk.

Bombardier Inc.  
Marketing - Parts and Accessories



P-CL-96-08

May 3, 1996

MEMO TO: ALL CANADIAN SKI-DOO SNOWMOBILE DEALERS

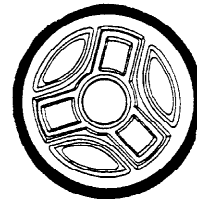
ATTENTION: PARTS MANAGER

**SUBJECT: NON PAINTED IDLER WHEEL, N/P 570 014 300**

Following many requests from dealers wanting a lower priced unpainted idler wheel, we would like to introduce a new 141mm idler wheel, P/N 570 014 300.

It has the same specifications as our aluminum idler wheel, P/N 503 099 600 but is not painted.

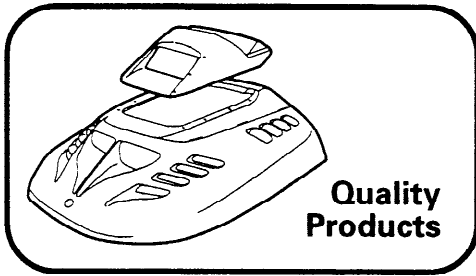
Item no: 080000001  
Suggested retail: \$18.95



This part should be available in fall. You can place an order through your respective order desk.

Bombardier Inc.  
Marketing - Parts and Accessories





P-CL-96-09

May 3, 1996

MEMO TO: ALL U.S. SKI-DOO SNOWMOBILE DEALERS

ATTENTION: PARTS MANAGER

**SUBJECT: PARTS CATALOGS ON CD ROM**

As a joint venture with Global Computer Systems located in Ontario, we can now offer you our Ski-Doo parts catalogs on CD ROM for use on PC type computer in the Windows format. The information starts from 1985 models and goes to 1995, The 1996 models will follow shortly. You will find a chart listing two packages offered and their costs. These must be ordered from the following:

Global Computer Systems Inc.  
5276 St John's Rd  
Stouffville, Ontario  
L4A 7X4  
Tel: 905-642-1253  
Fax: 905-642-0453  
Contact: Mrs. Pekka Tseng

Package A consists of the CD ROM parts catalog file and price file. Both will be updated on a regular basis and sent to you by Global Computer Systems.

Package B consists of package A as well as the program needed to connect to your inventory file. This will give you information on the parts numbers selected in the catalog file.

	<b>Initial Cost</b>	<b>Licensing Fee</b>	<b>Annual Recurring Fee</b>
Package A Price & fiches	\$250.00	\$350.00	\$100.00 price updates \$250.00 CD ROM
Package B Prices, fiches & inventory	\$1000.00	\$350.00	\$600.00 for all updates on prices, fiches & inventory hook up

Prices shown are for one Bombardier product line. If you should have two or three, please call Global Computer Systems for a special price quote. If you have a network system in your dealership with more than one user, call for a cost estimate.

The minimum equipment required for this system is the following:

- IBM 486 or equivalent
- IBM PENTIUM 75 MHZ is recommended for faster response time
- 16 MB RAM
- 17" color monitor
- IGB disk
- CD ROM reader Quad Speed
- 28.8 KBPS external modem
- HPSL laser jet printer
- PC DOS Windows 3.11

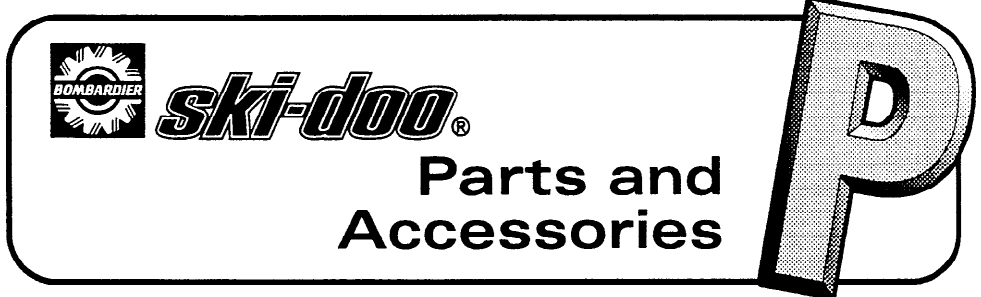
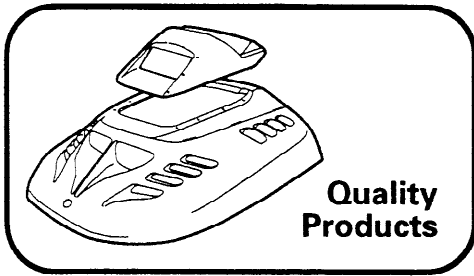
For future information, please contact Global Computer Systems. They are the specialists that can answer best to your needs on this specific project.

You can also contact Bell & Howell Lightspeed for parts catalogs on CD ROM. They offer the same services as Global Computer Systems. You may also contact them at the following:

Bell & Howell Lightspeed  
 1584 Willey Post Way  
 Salt Lake City, UT, 84116  
 Tel: 801 521-0300  
 Contact: Mrs. Dawn Bean

Please contact them concerning pricing.

Bombardier Inc.  
 Marketing - Parts & Accessories



P-CL-96-09

May 3, 1996

MEMO TO: ALL CANADIAN SKI-DOO SNOWMOBILE DEALERS &  
DISTRIBUTORS

ATTENTION: PARTS MANAGER

**SUBJECT: PARTS CATALOGS ON CD ROM**

As a joint venture with Global Computer Systems located in Ontario, we can now offer you our Ski-Doo parts catalogs on CD ROM for use on PC type computer in the Windows format. The information starts from 1985 models and goes to 1995, The 1996 models will follow shortly. You will find a chart listing two packages offered and their costs. These must be ordered from the following:

Global Computer Systems Inc.  
5276 St John's Rd  
Stouffville, Ontario  
L4A 7X4  
Tel: 905-642-1253  
Fax: 905-642-0453  
Contact: Mrs. Pekka Tseng

Package A consists of the CD ROM parts catalog file and price file. Both will be updated on a regular basis and sent to you by Global Computer Systems.

Package B consists of package A as well as the program needed to connect to your inventory file. This will give you information on the parts numbers selected in the catalog file.

	<b>Initial Cost</b>	<b>Licensing Fee</b>	<b>Annual Recurring Fee</b>
<b>Package A Price &amp; fiches</b>	\$250.00	\$350.00	\$100.00 price updates \$250.00 CD ROM
<b>Package B Prices, fiches &amp; inventory</b>	\$1000.00	\$350.00	\$600.00 for all updates on prices, fiches & inventory hook up

Prices shown are for one Bombardier product line. If you should have two or three, please call Global Computer Systems for a special price quote. If you have a network system in your dealership with more than one user, call for a cost estimate.

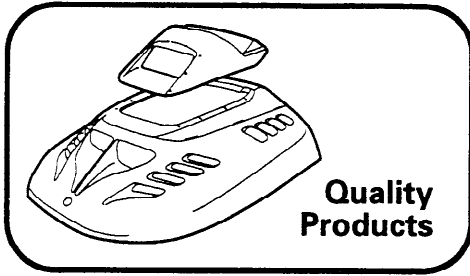
The minimum equipment required for this system is the following:

- IBM 486 or equivalent
- IBM PENTIUM 75 MHZ is recommended for faster response time
- 16 MB RAM
- 17" color monitor
- IGB disk
- CD ROM reader Quad Speed
- 28.8 KBPS external modem
- HPSL laser jet printer
- PC DOS Windows 3.11

For future information, please contact Global Computer Systems. They are the specialists that can answer best to your needs on this specific project.

Please contact them concerning pricing.

**Bombardier Inc.**  
**Marketing - Parts & Accessories**



P-CL-96-10

May 17, 1996

MEMO TO: ALL U.S.SKI-DOO SNOWMOBILE DEALERS

ATTENTION: PARTS MANAGER

**SUBJECT: NEW 2" TRACK P/N 861 7598 00**

We are proud to announce that a 2" profile track, P/N 861 7598 00, will be available this fall.

This new track consists of the following:

- Track 15 x 136" (2.0 profile)
- Drive axle assembly with sprockets (8 teeth)

Item no: 000000594

Suggested retail: \$761.50

Please take note that this track fits only on the following vehicles and is designed to be used in deep snow conditions:

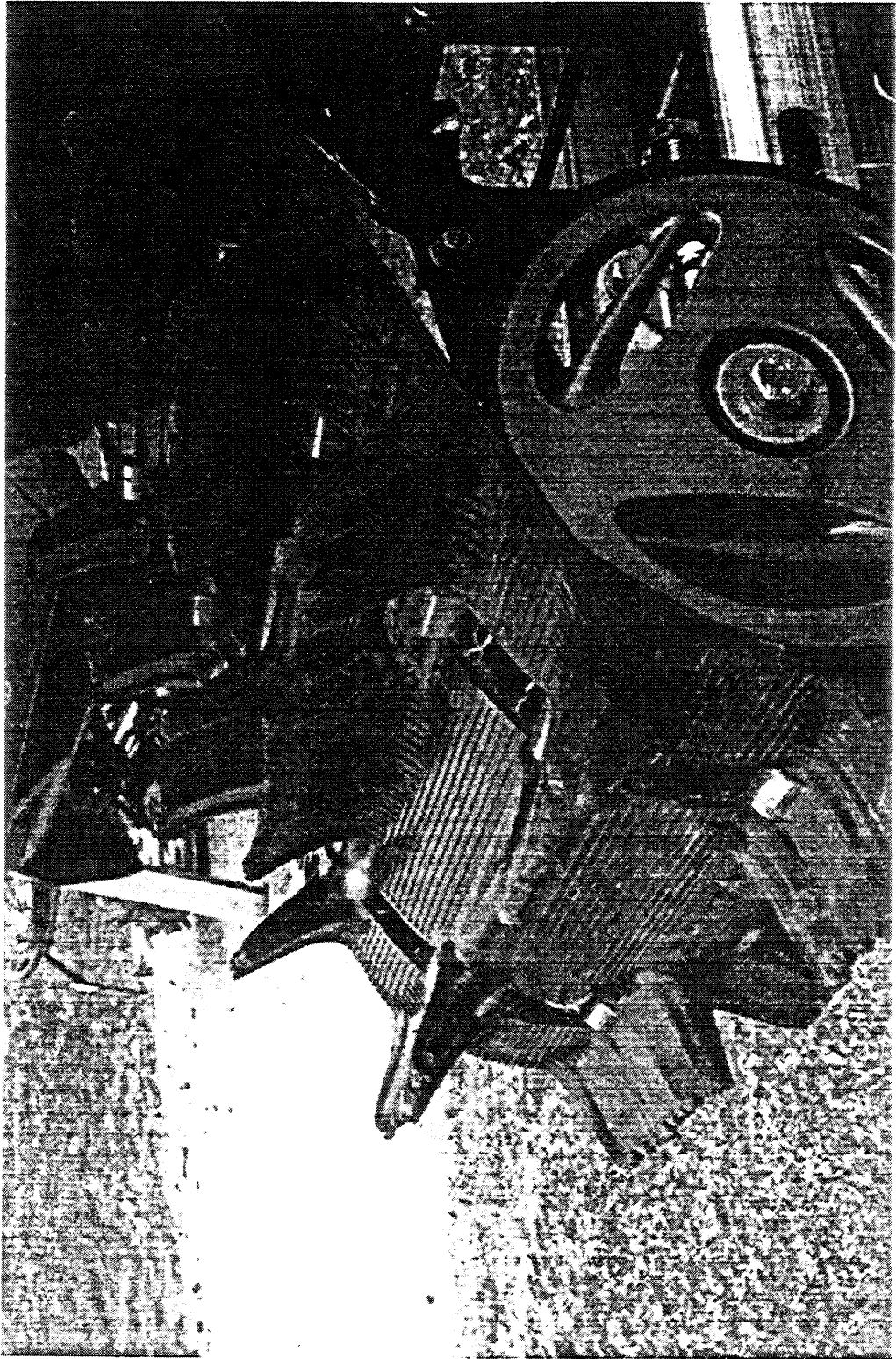
Summit 583

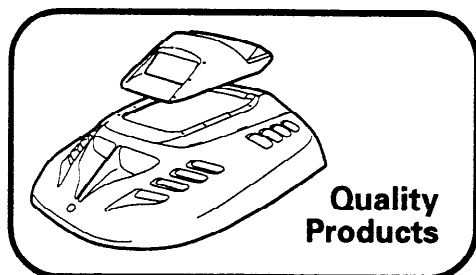
Summit 670

If you should have any inquiries about the track exchange program, please refer to your dealer binder or contact a parts analyst for assistance.

You can place an order through your respective order desk.

Bombardier Inc.  
Marketing - Parts and Accessories





P-CL-96-10

May 17, 1996

MEMO TO: ALL CANADIAN SKI-DOO SNOWMOBILE DEALERS

ATTENTION: PARTS MANAGER

**SUBJECT: NEW 2" TRACK P/N 861 7598 00**

We are proud to announce that a 2" profile track, P/N 861 7598 00, will be available this fall.

This new track consists of the following:

- Track 15 x 136" (2.0 profile)
- Drive axle assembly with sprockets (8 teeth)

Item no: 670000406

Suggested retail: \$959.95

Please take note that this track fits only on the following vehicles and is designed to be used in deep snow conditions:

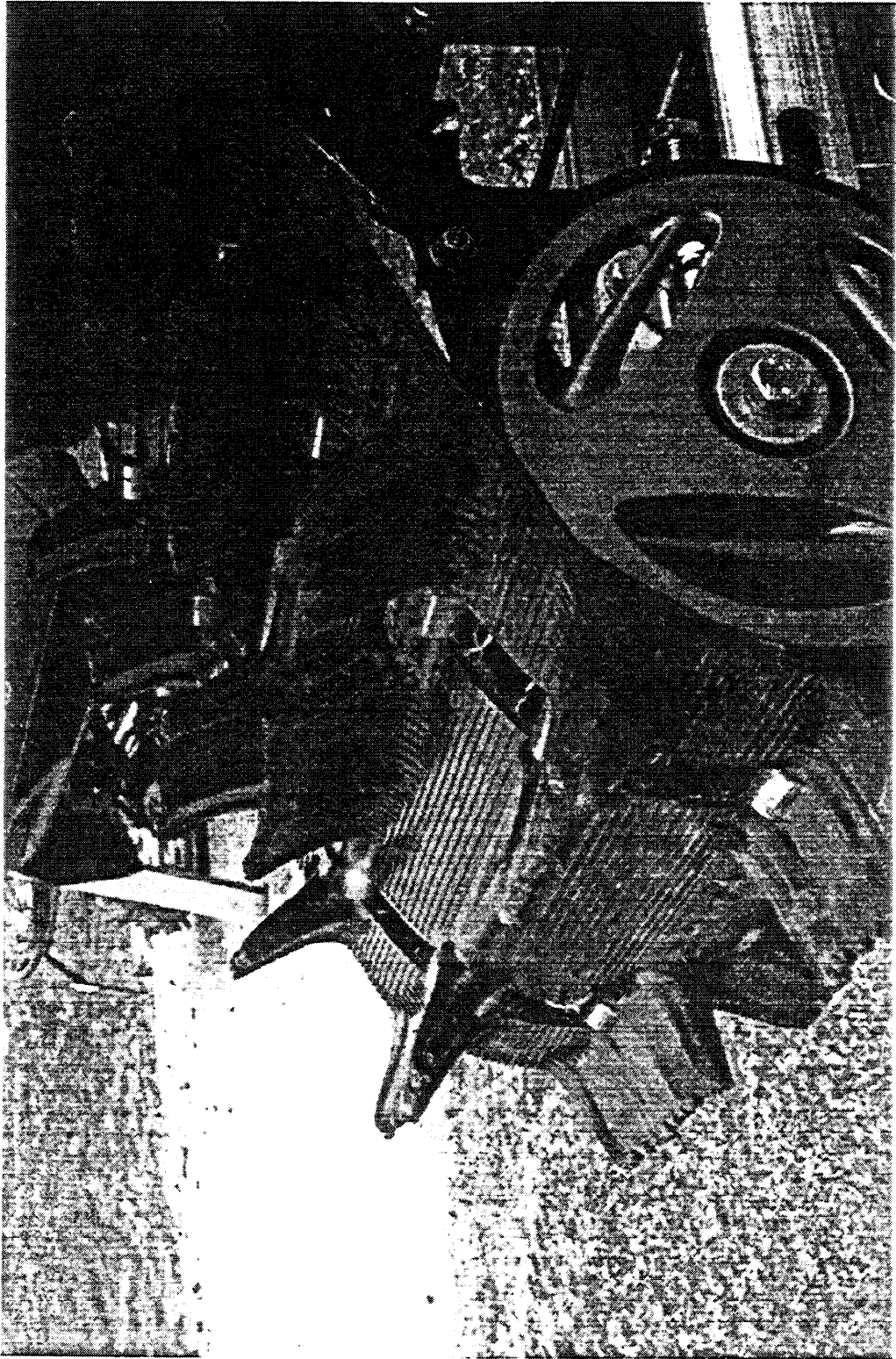
Summit 583

Summit 670

If you should have any inquiries about the track exchange program, please refer to your dealer binder or contact a parts analyst for assistance.

You can place an order through your respective order desk.

Bombardier Inc.  
Marketing - Parts and Accessories







**P-CL-96-11**

May 31, 1996

MEMO TO: ALL U.S. SKI-DOO SNOWMOBILE DEALERS

ATTENTION: PARTS & SERVICE MANAGER

**SUBJECT: PLASTIC SKI (FASTENER KIT) N/P 860 600 500**

We recently noticed that there has been a misprint in the May 6th price list, price diskette included and on the 1997 Ski-Doo Initial Order Pad.

The May price list and diskette reads the following:

		<b>Retail</b>	<b>Item no.</b>
860 600 500	Ens. fix plaque * Kit fas. skid 97		51000081

**The corrected version should read:**

860 600 500	Ens. fix ski * Kit fas. ski 97		96000054
-------------	--------------------------------	--	----------

The 1997 Initial Order Pad and parts bulletin #96-05 read:

Plastic ski (fastener kit) 860 600 500

**The corrected version should read**

Plastic ski (fastener kit) 860 600 500

Please take note of these corrections and rectify your price list and initial order pad accordingly.

Bombardier Inc.  
Marketing - Parts & Accessories



**P-CL-96-11**

May 31, 1996

**MEMO TO: ALL CANADIAN SKI-DOO SNOWMOBILE DEALERS**

**ATTENTION: PARTS & SERVICE MANAGER**

**SUBJECT: PLASTIC SKI (FASTENER KIT) N/P 860 600 500**

We recently noticed that there has been a misprint in the May 6th price list, price diskette included and on the 1997 Ski-Doo Initial Order Pad.

The May price list and diskette reads the following:

			Item no.
860 600 500	Ens. fix plaque *	Kit fas. skid 97	71000022

**The corrected version should read:**

860 600 500	Ens. fix ski	* Kit fas. ski 97	37000055
-------------	--------------	-------------------	----------

The 1997 Initial Order Pad and parts bulletin #96-05 read:

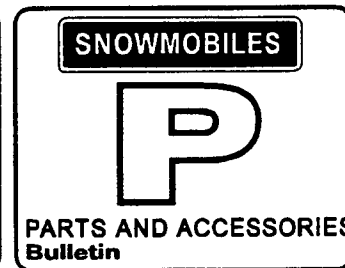
Plastic ski (fastener kit) 860 600 500

**The corrected version should read**

Plastic ski (fastener kit) 860 600 500

Please take note of these corrections and rectify your price list and initial order pad accordingly.

Bombardier Inc.  
Marketing - Parts & Accessories



**P-CL-96-12**

June 28, 1996

**MEMO TO: ALL SKI-DOO SNOWMOBILE DEALERS**

**ATTENTION: PARTS MANAGER**

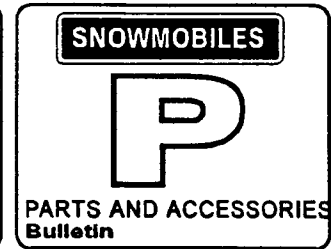
**SUBJECT: 1997 SKI-DOO PARTS CATALOGS AND MICROFICHES**

Here is the complete listing of our 1997 Ski-Doo parts catalogs and microfiches.

<b>MODEL</b>	<b>CATALOG NO.</b>	<b>MICROFICHE NO.</b>
Tundra 11 LT	480 1422 00	480 1422 01
Skandic 380/500	480 1423 00	480 1423 01
Touring E/E LT/LE/SLE	480 1424 00	480 1424 01
Grand Touring 500/583	480 1425 00	480 1425 01
Grand Touring SE	480 1426 00	480 1426 01
Summit 500/583/670	480 1427 00	480 1427 01
Formula S/SL	480 1428 00	480 1428 01
Formula 500/500 deluxe/Z/583	480 1429 00	480 1429 01
MX Z 440	480 1430 00	480 1430 01
MX Z 440F/583/670	480 1431 00	480 1431 01
Formula III/III LT	480 1432 00	480 1432 01
Skandic Wide Track/Super Wide Track / Wide Track LC	480 1433 00	480 1433 01
Mach 1/Z/Z LT	480 1434 00	480 1434 01

All dealers are on an auto-ship basis and will receive their copies (one per model) automatically as they become available. Should you desire additional copies, please place your order through regular channel. These will be available at the same time as the respective snowmobiles are shipped to you.

Bombardier Inc.  
Marketing - Parts and Accessories



**P-CL-96-13**

July 5, 1996

**MEMO TO: ALL SKI-DOO SNOWMOBILE DEALERS**

**ATTENTION: PARTS MANAGER**

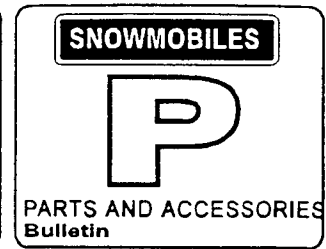
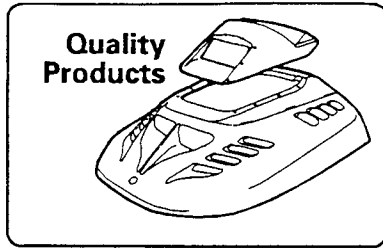
**SUBJECT: RETURN OF SEATS**

With the sales of optional two-up seats, some dealers are returning the original one-up on their annual parts return. These seats are not coded as a replacement part in our system. For the previous three years, we have been selling only the seat covers and foams, not the assembly.

As a service to dealers, we are accepting seat assemblies on their annual parts return at a cost of \$125.00 to \$139.00, depending on the model. Please make a note of this when taking a seat in exchange when selling an optional to a customer.

Please note that before returning a seat or any other part, you must contact one of our parts analysts to receive an authorization number. Without this authorization the return will be refused.

Bombardier Inc.  
Marketing - Parts and Accessories



**P-CL-96-14**

July 12, 1996

MEMO TO: ALL U.S. SKI-DOO SNOWMOBILE DEALERS

ATTENTION: PARTS MANAGER

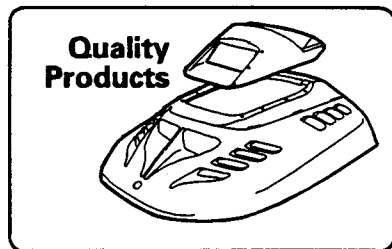
**SUBJECT: INVENTORY CLEARANCE SALES**

Attached you will find a list of parts that the dealer cost and suggested retail were drastically reduced.

Take advantage while quantities last as no back orders will be retained and these prices will be applied to our inventory stock only.

You can place an order through your respective order desk.

Bombardier Inc.  
Marketing - Parts and Accessories



**P-CL-96-14**

July 12, 1996

**MEMO TO: ALL CANADIAN SKI-DOO SNOWMOBILE DEALERS**

**ATTENTION: PARTS MANAGER**

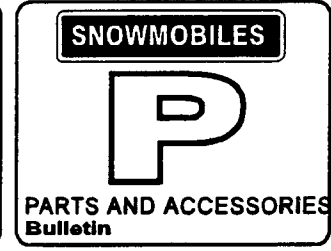
**SUBJECT: INVENTORY CLEARANCE SALES**

Attached you will find a list of parts that the dealer cost and suggested retail were drastically reduced.

Take advantage while quantities last as no back orders will be retained and these prices will be applied to our inventory stock only.

You can place an order through your respective order desk.

**Bombardier Inc.  
Marketing - Parts and Accessories**



**P-CL-96-15**

July 12, 1996

MEMO TO: ALL SKI-DOO SNOWMOBILE DEALERS & DISTRIBUTORS

ATTENTION: PARTS MANAGER

**SUBJECT: PLASTIC SKIS FOR 1997 SKI-DOO SNOWMOBILES  
(complement to I/O pad)**

For 1997, we will ship the plastic skis disassembled. This action was taken to help lower your inventory. You will be able to keep only one bridge (fastener kit ) in stock for various colors of ski sole.

The fastener kit will include all the components of a ski assembly except the sole. This fastener kit is the same for all models (regular width 139mm or narrow width 117mm).

The studs on the runner were relocated, therefore, the 1997 skis will not retrofit unless both are changed at the same time.

Here's a complete list of the 1997 plastic skis available "new profile":

Ski Assy	Color	Bridge (Fastener kit)	Sole	Width
860 5005 00*	Black	860 6005 00	572 0857 00	139 mm / 5 ½"
860 5006 00*	Pink	860 6005 00	572 0896 00	139 mm / 5 ½"
860 5007 00*	Red	860 6005 00	572 0897 00	139 mm / 5 ½"
860 5008 00*	Violet	860 6005 00	572 0898 00	139 mm / 5 ½"
860 5009 00*	Yellow	860 6005 00	572 0899 00	139 mm / 5 ½"

N/A	Black	860 6005 00	572 0904 00	117 mm / 4 5/8"
N/A	Pink	860 6005 00	572 0905 00	117 mm / 4 5/8"
N/A	Red	860 6005 00	572 0906 00	117 mm / 4 5/8"
N/A	Violet	860 6005 00	572 0907 00	117 mm / 4 5/8"
N/A	Yellow	860 6005 00	572 0908 00	117 mm / 4 5/8"

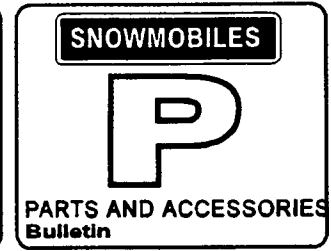
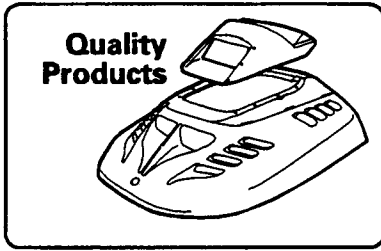
2-

**NOTE:** \* If you order two ski assemblies P/N 860 5009 00, you will receive two « fastener kits » P/N 860 6005 00 and two plastic « ski soles » P/N 572 0899 00.

Please note that the 1996 skis, upon depletion, will be shipped under 1997 part numbers.

Bombardier Inc.  
Marketing - Parts & Accessories





**P-CL-96-16**

July 12, 1996

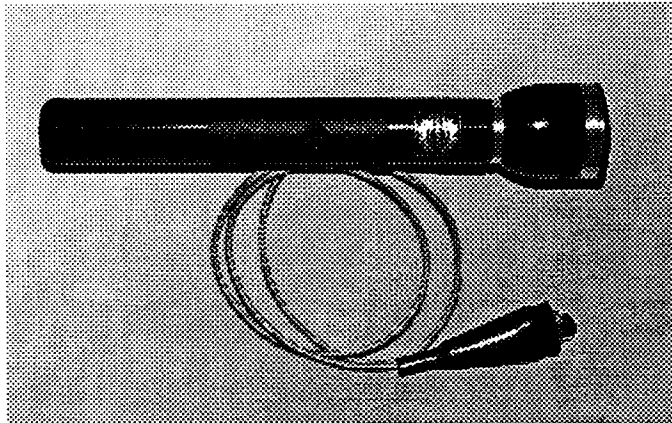
**MEMO TO: ALL CANADIAN SKI-DOO SNOWMOBILE DEALERS**

**ATTENTION: PARTS MANAGER**

**SUBJECT: NEW TOOL - TIMING LIGHT**

We are pleased to introduce the following new tool:

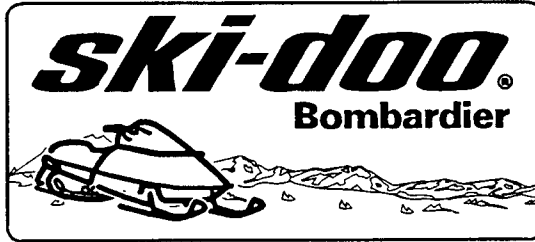
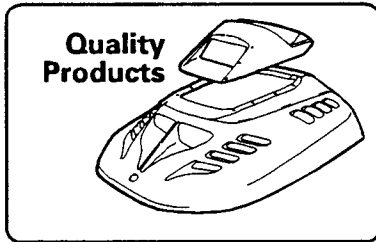
**TIMING LIGHT P/N 529 0319 00**



**Item No.: 890000642**

**This tool has been designed for Bombardier and is not mandatory.**

**Bombardier Inc.  
Marketing - Parts and Accessories**



**P-CL-96-17**

July 12, 1996

**MEMO TO: ALL U.S. SKI-DOO SNOWMOBILE DEALERS**

**ATTENTION: PARTS MANAGER**

**SUBJECT: NEW TOOL - CHOKE TOOL**

We are pleased to introduce the following new tool:

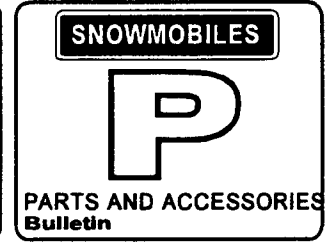
**CHOKE TOOL P/N 529 0321 00**

This tool adjusts the height of the choke plunger.

Item no. 78000004

Please note that this is a mandatory tool and will be automatically shipped to you.

**Bombardier Inc.  
Marketing - Parts and Accessories**



**P-CL-96-17**

July 12, 1996

**MEMO TO: ALL CANADIAN SKI-DOO SNOWMOBILE DEALERS**

**ATTENTION: PARTS MANAGER**

**SUBJECT: NEW TOOL - CHOKE TOOL**

We are pleased to introduce the following new tool:

**CHOKE TOOL P/N 529 0321 00**

This tool adjusts the height of the choke plunger.

Item no: 69000005

Please note that this is a mandatory tool and will be automatically shipped to you.

**Bombardier Inc.  
Marketing - Parts and Accessories**

Quality  
Products



**ski-doo**<sup>®</sup>  
Bombardier



SNOWMOBILES

**P**

PARTS AND ACCESSORIES  
Bulletin

August 1, 1996

## PC-L 96-18

MEMO TO: ALL SKI-DOO SNOWMOBILE  
DISTRIBUTORS AND DEALERS

ATTENTION: PARTS MANAGER

**SUBJECT: 1997 OPTIONS**

Attached is a list of options available by model for our 1997 snowmobiles.

Add to your sales and profits. Offer new options when selling a new Ski-Doo sled!

If more information is required please call your parts analyst.

Bombardier Inc.  
Marketing - Parts & Accessories



OPTIONS **97**

# MACH Z

## Models / Modèles 1180, 1181

Backrest (adj.)	861 7587 00	Dossier ajustable
Backrest (Touring)	861 7552 00	Dossier (Touring)
Backrest (Touring) (adj kit)	861 7553 00	Dossier ajust. (Tour.) (ens. ajust)
Carbide ski runner (5)	505 0673 20	Lisse au carbure (5)
Electric starter	861 5031 00	Démarrreur électrique
Extension kit (SC10)	861 7594 00	Ensemble extension SC-10
Forward/reverse transmission	860 4231 00	Transmission marche arrière
High altitude kit	861 7559 00	Ensemble haute altitude
Hitch (type hook)	861 7225 00 <sup>(1)</sup>	Attelage type crochet
Hitch (type tongue)	861 7546 00	Attelage type languette
Hourmeter	861 7482 00	Compteur horaire
Luggage rack (opt. backrest)	414 7182 00	Porte-bagages (pour dossier opt.)
Mirror	861 7493 00	Rétroviseur
Passenger footrest ass. kit	861 7528 00	Ens. d'appui-pieds pour passager
Passenger footrest ass. kit (GT)	861 7583 00	Ens. d'appui-pieds pour passager (GT)
Seat (two passenger) (red piping)	414 8647 70	Siège double (rouge)
Seat (two passenger) (yellow piping)	414 8743 70	Siège double (jaune)
Seat two pass. w/low backrest (red)	414 8972 00	Siège double avec dossier bas (rouge)
Seat two pass. w/low backrest (yellow)	414 8971 00	Siège double avec dossier bas (jaune)
Ski assembly (plastic) (black)	860 5005 00	Ens. ski (plastique) (noir)
Ski assembly (plastic) (pink)	860 5006 00	Ens. ski (plastique) (rose)
Ski assembly (plastic) (red)	860 5007 00	Ens. ski (plastique) (rouge)
Ski assembly (plastic) (violet)	860 5008 00	Ens. ski (plastique) (violet)
Ski assembly (plastic) (yellow)	860 5009 00	Ens. ski (plastique) (jaune)
Ski liner (plastic) (black)	860 5002 00	Garniture de ski (noir)
Ski liner (plastic) (red)	860 4224 00	Garniture de ski (rouge)
Ski sole (narrow) (pink)	572 0905 00	Semelle de ski étroite (rose)
Ski sole (narrow) (red)	572 0906 00	Semelle de ski étroite (rouge)
Ski sole (narrow) (yellow)	572 0908 00	Semelle de ski étroite (jaune)

**Note:** (1) Tongue type hitch required / Attelage type languette requis



# OPTIONS 97

Ski sole (narrow) (violet)	572 0907 00	Semelle de ski étroite (violet)
Ski steel (narrow)	505 0650 00	Ski étroit (acier)
Ski steel (wide)	505 0645 00	Ski large (acier)
Skid plate (black)	861 7472 00	Plaque protectrice (noir)
Skid plate (pink)	861 7584 00	Plaque protectrice (rose)
Skid plate (red)	861 7536 00	Plaque protectrice (rouge)
Skid plate (violet)	861 7588 00	Plaque protectrice (violet)
Skid plate (yellow)	861 7486 00	Plaque protectrice (jaune)
Slider shoe SC-10 (black)	560 3149 00	Glissière SC-10 (noire)
Slider shoe SC-10 (pink)	560 1028 00	Glissière SC-10 (rose)
Slider shoe SC-10 (red)	560 1030 00	Glissière SC-10 (rouge)
Slider shoe SC-10 (violet)	560 1029 00	Glissière SC-10 (violet)
Slider shoe SC-10 (yellow)	560 1031 00	Glissière SC-10 (jaune)
Track (15.0' x 121') (1.45')	861 7535 00	Chenille (15.0' x 121") 36.8mm
Windshield (high)	414 9391 00	Pare-brise haut
Windshield (medium)	415 0505 00	Pare-brise moyen



OPTIONS 97



# MACH Z LT

## Models / Modèles 1183, 1184

Backrest (adjustable)	861 7587 00	Dossier ajustable
Backrest (Touring)	861 7552 00	Dossier (Touring)
Backrest (Touring) (adj. kit)	861 7553 00	Dossier ajust (Tour.) (ens. ajust)
Backrest (adjustable GT)	861 7554 00 <sup>(1)</sup>	Dossier ajustable (GT)
Carbide ski runner (5)	505 0673 20	Lisse au carbure (5)
Electric starter	861 5031 00	Démarrreur électrique
Forward/reverse transmission	860 4231 00	Transmission marche arrière
High altitude kit	861 7560 00	Ensemble haute altitude
Hitch (type hook)	861 7225 00 <sup>(2)</sup>	Attelage type crochet
Hitch (type tongue)	861 7546 00	Attelage type languette
Hourmeter	861 7482 00	Compteur horaire
Luggage rack (GT)	861 7582 00	Porte-bagages (GT)
Luggage rack (S-2000)	861 7473 00	Porte-bagages (S-2000)
Mirror	861 7493 00	Rétroviseur
Passenger footrest ass. kit	861 7528 00	Ens. d'appui-pieds pour passager
Passenger footrest ass. kit (GT)	861 7583 00	Ens. d'appui-pieds pour pass. (GT)
Seat (two passenger) (red)	414 8647 70	Siège double (rouge)
Seat (two passenger) (yellow)	414 8743 70	Siège double (jaune)
Seat two pass. w/low backrest (red)	414 8972 00	Siège double dossier bas (rouge)
Seat two pass. w/low backrest (yel)	414 8971 00	Siège double dossier bas (jaune)
Ski assembly (plastic) (pink)	860 5006 00	Ens. ski (plastique) (rose)
Ski assembly (plastic) (red)	860 5007 00	Ens. ski (plastique) (rouge)
Ski assembly (plastic) (violet)	860 5008 00	Ens. ski (plastique) (violet)
Ski assembly (plastic) (yellow)	860 5009 00	Ens. ski (plastique) (jaune)
Ski liner (plastic) (black)	860 5002 00	Garniture de ski (noir)
Ski liner (plastic) (red)	860 4224 00	Garniture de ski (rouge)
Ski sole (narrow) (black)	572 0904 00	Semelle de ski étroite (noire)
Ski sole (narrow) (pink)	572 0905 00	Semelle de ski étroite (rose)
Ski sole (narrow) (red)	572 0906 00	Semelle de ski étroite (rouge)

**Note:** (1) Luggage rack GT type required / Ens. porte-bagages type GT requis

**Note:** (2) Tongue type hitch required / Attelage type languette requis



# OPTIONS 97

Ski sole (narrow) (yellow)	572 0908 00	Semelle de ski étroite (jaune)
Ski sole (narrow) (violet)	572 0907 00	Semelle de ski étroite (violet)
Ski steel (narrow)	505 0650 00	Ski étroit (acier)
Ski steel (wide)	505 0645 00	Ski large (acier)
Skid plate (black)	861 7472 00	Plaque protectrice (noir)
Skid plate (pink)	861 7584 00	Plaque protectrice (rose)
Skid plate (red)	861 7536 00	Plaque protectrice (rouge)
Skid plate (violet)	861 7588 00	Plaque protectrice (violet)
Skid plate (yellow)	861 7486 00	Plaque protectrice (jaune)
Slider shoe SC-10 (black)	560 3149 00	Glissière SC-10 (noire)
Slider shoe SC-10 (pink)	560 1028 00	Glissière SC-10 (rose)
Slider shoe SC-10 (red)	560 1030 00	Glissière SC-10 (rouge)
Slider shoe SC-10 (violet)	560 1029 00	Glissière SC-10 (violet)
Slider shoe SC-10 (yellow)	560 1031 00	Glissière SC-10 (jaune)
Track (15.0" x 136") (1.45')	861 7532 00	Chenille (15.0" x 136") 36.8mm
Windshield (high)	414 9391 00	Pare-brise haut
Windshield (medium)	415 0505 00	Pare-brise moyen



OPTIONS 97





# FORMULA 500 DELUXE

Models / Modèles 1191, 1192

Backrest (adjustable)	861 7587 00	Dossier ajustable
Backrest (Touring)	861 7552 00	Dossier (Touring)
Backrest (Touring) (adj kit)	861 7553 00	Dossier ajust (Tour) (ens. ajust)
Carbide ski runner (8)	505 0672 20	Lisse au carbure (8)
Extension kit (SC 10)	861 7594 00	Ensemble extension (SC-10)
Fuel gauge electric	861 5036 00	Ind. électrique de carburant
High altitude kit	861 7565 00	Ensemble haute altitude
Hitch (type hook)	861 7225 00 <sup>(1)</sup>	Attelage type crochet
Hitch (type tongue)	861 7546 00	Attelage type languette
Hourmeter	861 7482 00	Compteur horaire
Luggage rack (opt. backrest)	414 7182 00	Porte-bagages (pour dossier opt.)
Ski assembly (plastic) (pink)	860 5006 00	Ens. ski (plastique) (rose)
Ski assembly (plastic) (red)	860 5007 00	Ens. ski (plastique) (rouge)
Ski assembly (plastic) (violet)	860 5008 00	Ens. ski (plastique) (violet)
Ski assembly (plastic) (yellow)	860 5009 00	Ens. ski (plastique) (jaune)
Ski liner (plastic) (black)	860 5002 00	Garniture de ski (noir)
Ski liner (plastic) (red)	860 4224 00	Garniture de ski (rouge)
Ski sole (narrow) (black)	572 0904 00	Semelle de ski étroite (noire)
Ski sole (narrow) (pink)	572 0905 00	Semelle de ski étroite (rose)
Ski sole (narrow) (red)	572 0906 00	Semelle de ski étroite (rouge)
Ski sole (narrow) (yellow)	572 0908 00	Semelle de ski étroite (jaune)
Ski sole (narrow) (violet)	572 0907 00	Semelle de ski étroite (violet)
Ski steel (wide)	505 0678 10	Ski large (acier)
Skid plate (black)	861 7497 00	Plaque protectrice (noir)
Skid plate (pink)	861 7589 00	Plaque protectrice (rose)
Skid plate (red)	861 7534 00	Plaque protectrice (rouge)
Skid plate (violet)	861 7590 00	Plaque protectrice (violet)
Skid plate (yellow)	861 7498 00	Plaque protectrice (jaune)
Slider shoe SC-10 (black)	560 3149 00	Glissière SC-10 (noire)

**Note:** (1) Tongue type hitch required / Attelage type languette requis



OPTIONS **97**

Slider shoe SC-10 (pink)	560 1028 00	Glissière SC-10 (rose)
Slider shoe SC-10 (red)	560 1030 00	Glissière SC-10 (rouge)
Slider shoe SC-10 (violet)	560 1029 00	Glissière SC-10 (violet)
Slider shoe SC-10 (yellow)	560 1031 00	Glissière SC-10 (jaune)
Temperature gauge (electric)	861 7557 00	Ind. électrique de température
Track (15" x 121") (.912)	570 2101 00	Chenille (15" x 121") 23.2mm
Windshield (low)	414 7959 00	Pare-brise bas
Windshield (medium)	415 0505 00	Pare-brise moyen



OPTIONS 97

# FORMULA 500

## Models / Modèles 1138, 1139

Backrest (adjustable)	861 7587 00	Dossier ajustable
Backrest (Touring)	861 7552 00	Dossier (Touring)
Backrest (Touring) (adj kit)	861 7553 00	Dossier ajust (Tour) (ens. ajust)
Electric starter	861 5033 00	Démarreur électrique
Extension kit (SC 10)	861 7594 00	Ensemble extension (SC-10)
Forward/reverse transmission	860 4234 00	Transmission marche arrière
Fuel gauge electric	861 5036 00	Ind. électrique de carburant
High altitude kit	861 7565 00	Ensemble haute altitude
Hitch (type hook)	861 7225 00 <sup>(1)</sup>	Attelage type crochet
Hitch (type tongue)	861 7546 00	Attelage type languette
Hourmeter	861 7482 00	Compteur horaire
Luggage rack (opt. backrest)	414 7182 00	Porte-bagages (pour dossier opt.)
Mirror	861 7493 00	Rétroviseur
Ski assembly (plastic) (black)	860 5005 00	Ens. ski (plastique) (noir)
Ski assembly (plastic) (pink)	860 5006 00	Ens. ski (plastique) (rose)
Ski assembly (plastic) (red)	860 5007 00	Ens. ski (plastique) (rouge)
Ski assembly (plastic) (violet)	860 5008 00	Ens. ski (plastique) (violet)
Ski assembly (plastic) (yellow)	860 5009 00	Ens. ski (plastique) (jaune)
Ski liner (plastic) (black)	572 0783 00	Garniture de ski (noir)
Ski liner (plastic) (red)	572 0743 00	Garniture de ski (rouge)
Ski liner (plastic) (narrow) (black)	572 0956 00	Garniture de ski étroite (noir)
Ski liner (plastic) (narrow) (red)	572 0957 00	Garniture de ski étroite (rouge)
Ski sole (narrow) (black)	572 0904 00 <sup>(2)</sup>	Semelle de ski étroite (noire)
Ski sole (narrow) (pink)	572 0905 00 <sup>(2)</sup>	Semelle de ski étroite (rose)
Ski sole (narrow) (red)	572 0906 00 <sup>(2)</sup>	Semelle de ski étroite (rouge)
Ski sole (narrow) (yellow)	572 0908 00 <sup>(2)</sup>	Semelle de ski étroite (jaune)
Ski sole (narrow) (violet)	572 0907 00 <sup>(2)</sup>	Semelle de ski étroite (violet)
Skid plate (black)	861 7497 00	Plaque protectrice (noir)
Skid plate (pink)	861 7589 00	Plaque protectrice (rose)

**Note:** (1) Tongue type hitch required / Attelage type languette requis

**Note:** (2) Bridge kit required (P/N 860 6005 00) / Ens. d'attaches requis (N/P 860 6005 00)



OPTIONS 97

Skid plate (red)	861 7534 00	Plaque protectrice (rouge)
Skid plate (violet)	861 7590 00	Plaque protectrice (violet)
Skid plate (yellow)	861 7498 00	Plaque protectrice (jaune)
Slider shoe SC-10 (black)	560 3149 00	Glissière de ski étroite (noire)
Slider shoe SC-10 (pink)	560 1028 00	Glissière de ski étroite (rose)
Slider shoe SC-10 (red)	560 1030 00	Glissière de ski étroite (rouge)
Slider shoe SC-10 (violet)	560 1029 00	Glissière de ski étroite (violet)
Slider shoe SC-10 (yellow)	560 1031 00	Glissière de ski étroite (jaune)
Temperature gauge (electric)	861 7557 00	Ind. électrique de température
Track (15" x 121") (.912)	570 2101 00	Chenille (15" x 121") 23.2 mm
Windshield (high)	414 9391 00	Pare-brise haut
Windshield (medium)	415 0505 00	Pare-brise moyen



OPTIONS 97

# FORMULA III LT

## Models / Modèles 1151, 1152

Backrest (adjustable)	861 7587 00	Dossier ajustable
Backrest (Touring)	861 7552 00	Dossier (Touring)
Backrest (Touring) (adj kit)	861 7553 00	Dossier ajust (Tour) (ens. ajust)
Backrest (adjustable GT)	861 7554 00 <sup>(1)</sup>	Dossier ajustable (GT)
Carbide ski runner (8)	505 0672 20	Lisse au carbure (8)
Electric starter	861 5032 00	Démarrreur électrique
Forward/reverse transmission	860 4231 00	Transmission marche arrière
High altitude kit	861 7562 00	Ensemble haute altitude
Hitch (type hook)	861 7225 00 <sup>(2)</sup>	Attelage type crochet
Hitch (type tongue)	861 7546 00	Attelage type languette
Hourmeter	861 7482 00	Compteur horaire
Luggage rack (GT)	861 7582 00	Porte-bagages (GT)
Luggage rack (S-2000)	861 7473 00	Porte-bagages (S-2000)
Mirror	861 7493 00	Rétroviseur
Passenger footrest ass. kit	861 7528 00	Ens. d'appui-pieds pour passager
Passenger footrest ass. kit (GT)	861 7583 00	Ens. d'appui-pieds pour passager (GT)
Seat (two passenger) (red piping)	414 8647 70	Siège double (rouge)
Seat (two passenger) (yellow piping)	414 8743 70	Siège double (jaune)
Seat two pass. w/low backrest (red)	414 8972 00	Siège double avec dossier bas (rouge)
Seat two pass. w/low backrest (yellow)	414 8971 00	Siège double avec dossier bas (jaune)
Ski assembly (plastic) (pink)	860 5006 00	Ens. ski (plastique) (rose)
Ski assembly (plastic) (red)	860 5007 00	Ens. ski (plastique) (rouge)
Ski assembly (plastic) (violet)	860 5008 00	Ens. ski (plastique) (violet)
Ski assembly (plastic) (yellow)	860 5009 00	Ens. ski (plastique) (jaune)
Ski liner (plastic) (black)	860 5002 00	Garniture de ski (noir)
Ski liner (plastic) (red)	860 4224 00	Garniture de ski (rouge)
Ski sole (narrow) (black)	572 0904 00	Semelle de ski étroite (noire)
Ski sole (narrow) (pink)	572 0905 00	Semelle de ski étroite (rose)
Ski sole (narrow) (red)	572 0906 00	Semelle de ski étroite (rouge)

**Note:** (1) Luggage rack GT type required / Ens. porte-bagages type GT requis

**Note:** (2) Tongue type hitch required / Attelage type languette requis



OPTIONS 97

Ski sole (narrow) (yellow)	572 0908 00	Semelle de ski étroite (jaune)
Ski sole (narrow) (violet)	572 0907 00	Semelle de ski étroite (violet)
Ski steel (narrow)	505 0650 00	Ski étroit (acier)
Ski steel (wide)	505 0645 00	Ski large (acier)
Skid plate (black)	861 7472 00	Plaque protectrice (noir)
Skid plate (pink)	861 7584 00	Plaque protectrice (rose)
Skid plate (red)	861 7536 00	Plaque protectrice (rouge)
Skid plate (violet)	861 7588 00	Plaque protectrice (violet)
Skid plate (yellow)	861 7486 00	Plaque protectrice (jaune)
Slider shoe SC-10 (black)	560 3149 00	Glissière SC-10 (noire)
Slider shoe SC-10 (pink)	560 1028 00	Glissière SC-10 (rose)
Slider shoe SC-10 (red)	560 1030 00	Glissière SC-10 (rouge)
Slider shoe SC-10 (violet)	560 1029 00	Glissière SC-10 (violet)
Slider shoe SC-10 (yellow)	560 1031 00	Glissière SC-10 (jaune)
Track (15.0" x 136") (1.45")	861 7532 00	Chenille (15.0" x 136") 36.8mm
Windshield (high)	414 9391 00	Pare-brise haut
Windshield (medium)	415 0505 00	Pare-brise moyen



OPTIONS **97**



# FORMULA Z

Models / Modèles 1145, 1146

Backrest (adjustable)	861 7587 00	Dossier ajustable
Backrest (Touring)	861 7552 00	Dossier (Touring)
Backrest (Tour) (adj kit)	861 7553 00	Dossier ajust (Tour) (ens. ajust)
Carbide ski runner (8)	505 0672 20	Lisse au carbure (8)
Electric starter	861 5033 00	Démarrreur électrique
Extension kit (SC 10)	861 7594 00	Ensemble extension (SC-10)
Forward/reverse transmission	860 4233 00	Transmission marche arrière
High altitude kit	861 7563 00	Ensemble haute altitude
Hitch (type hook)	861 7225 00 <sup>(1)</sup>	Attelage type crochet
Hitch (type tongue)	861 7546 00	Attelage type languette
Hourmeter	861 7482 00	Compteur horaire
Luggage rack (opt. backrest)	414 7182 00	Porte-bagages (pour dossier opt.)
Mirror	861 7493 00	Rétroviseur
Passenger footrest ass. kit	861 7528 00	Ens. d'appui-pieds pour passager
Passenger footrest ass. kit (GT)	861 7583 00	Ens. d'appui-pieds pour passager (GT)
Seat (two passenger) (red piping)	414 8647 70	Siège double (rouge)
Seat (two passenger) (yellow piping)	414 8743 70	Siège double (jaune)
Seat two pass. w/low back (red)	414 8972 00	Siège double avec dossier bas (rouge)
Seat two pass. w/low back (yellow)	414 8971 00	Siège double avec dossier bas (jaune)
Ski assembly (plastic) (pink)	860 5006 00	Ens. ski (plastique) (rose)
Ski assembly (plastic) (red)	860 5007 00	Ens. ski (plastique) (rouge)
Ski assembly (plastic) (violet)	860 5008 00	Ens. ski (plastique) (violet)
Ski assembly (plastic) (yellow)	860 5009 00	Ens. ski (plastique) (jaune)
Ski liner (plastic) (black)	860 5002 00	Garniture de ski (noir)
Ski liner (plastic) (red)	860 4224 00	Garniture de ski (rouge)
Ski sole (narrow) (black)	572 0904 00	Semelle de ski étroite (noire)
Ski sole (narrow) (pink)	572 0905 00	Semelle de ski étroite (rose)
Ski sole (narrow) (red)	572 0906 00	Semelle de ski étroite (rouge)
Ski sole (narrow) (yellow)	572 0908 00	Semelle de ski étroite (jaune)

**Note:** (1) Tongue type hitch required / Attelage type languette requis



OPTIONS 97

Ski sole (narrow) (violet)	572 0907 00	Semelle de ski étroite (violet)
Ski steel (wide)	505 0678 10	Ski large (acier)
Skid plate (black)	861 7497 00	Plaque protectrice (noir)
Skid plate (pink)	861 7589 00	Plaque protectrice (rose)
Skid plate (red)	861 7534 00	Plaque protectrice (rouge)
Skid plate (violet)	861 7590 00	Plaque protectrice (violet)
Skid plate (yellow)	861 7498 00	Plaque protectrice (jaune)
Slider shoe SC-10 (black)	560 3149 00	Glissière SC-10 (noire)
Slider shoe SC-10 (pink)	560 1028 00	Glissière SC-10 (rose)
Slider shoe SC-10 (red)	560 1030 00	Glissière SC-10 (rouge)
Slider shoe SC-10 (violet)	560 1029 00	Glissière SC-10 (violet)
Slider shoe SC-10 (yellow)	560 1031 00	Glissière SC-10 (jaune)
Track (15.0' x 121") (1.45")	861 7535 00	Chenille (15.0' x 121") 36.8mm
Windshield (high)	414 9391 00	Pare-brise haut
Windshield (medium)	415 0505 00	Pare-brise moyen



OPTIONS 97





# FORMULA 583

Models / Modèles 1141, 1142

Backrest (adjustable)	861 7587 00	Dossier ajustable
Backrest (Touring)	861 7552 00	Dossier (Touring)
Backrest (Touring) (adj kit)	861 7553 00	Dossier ajust (Tour) (ens. ajust)
Electric starter	861 5033 00	Démarrreur électrique
Extension kit (SC 10)	861 7594 00	Ensemble extension (SC-10)
Forward/reverse transmission	860 4234 00	Transmission marche arrière
Fuel gauge electric	861 5036 00	Ind. électrique de carburant
High altitude kit	861 7564 00	Ensemble haute altitude
Hitch (type hook)	861 7225 00 <sup>(1)</sup>	Attelage type crochet
Hitch (type tongue)	861 7546 00	Attelage type languette
Hourmeter	861 7482 00	Compteur horaire
Luggage rack (opt. backrest)	414 7182 00	Porte-bagages (pour dossier opt.)
Mirror	861 7493 00	Rétroviseur
Ski assembly (plastic) (black)	860 5005 00	Ens. ski (plastique) (noir)
Ski assembly (plastic) (pink)	860 5006 00	Ens. ski (plastique) (rose)
Ski assembly (plastic) (red)	860 5007 00	Ens. ski (plastique) (rouge)
Ski assembly (plastic) (violet)	860 5008 00	Ens. ski (plastique) (violet)
Ski assembly (plastic) (yellow)	860 5009 00	Ens. ski (plastique) (jaune)
Ski liner (plastic) (black)	572 0783 00	Garniture de ski (noir)
Ski liner (plastic) (red)	572 0743 00	Garniture de ski (rouge)
Ski liner (plastic) (narrow) (black)	572 0956 00	Garniture de ski étroite (noir)
Ski liner (plastic) (narrow) (red)	572 0957 00	Garniture de ski étroite (rouge)
Ski sole (narrow) (black)	572 0904 00 <sup>(2)</sup>	Semelle de ski étroite (noire)
Ski sole (narrow) (pink)	572 0905 00 <sup>(2)</sup>	Semelle de ski étroite (rose)
Ski sole (narrow) (red)	572 0906 00 <sup>(2)</sup>	Semelle de ski étroite (rouge)
Ski sole (narrow) (yellow)	572 0908 00 <sup>(2)</sup>	Semelle de ski étroite (jaune)
Ski sole (narrow) (violet)	572 0907 00 <sup>(2)</sup>	Semelle de ski étroite (violet)
Skid plate (black)	861 7497 00	Plaque protectrice (noir)
Skid plate (pink)	861 7589 00	Plaque protectrice (rose)

**Note:** (1) Tongue type hitch required / Attelage type languette requis

**Note:** (2) Bridge kit required (P/N 860 6005 00) / Ens. d'attaches requis (N/P 860 6005 00)



OPTIONS 97

Skid plate (red)	861 7534 00	Plaque protectrice (rouge)
Skid plate (violet)	861 7590 00	Plaque protectrice (violet)
Skid plate (yellow)	861 7498 00	Plaque protectrice (jaune)
Slider shoe SC-10 (black)	560 3149 00	Glissière SC-10 (noire)
Slider shoe SC-10 (pink)	560 1028 00	Glissière SC-10 (rose)
Slider shoe SC-10 (red)	560 1030 00	Glissière SC-10 (rouge)
Slider shoe SC-10 (violet)	560 1029 00	Glissière SC-10 (violet)
Slider shoe SC-10 (yellow)	560 1031 00	Glissière SC-10 (jaune)
Temperature gauge (electric)	861 7557 00	Ind. électrique de température
Windshield (high)	414 9391 00	Pare-brise haut
Windshield (medium)	415 0505 00	Pare-brise moyen



OPTIONS 97



# FORMULA 500 DELUXE

Models / Modèles 1191, 1192

Backrest (adjustable)	861 7587 00	Dossier ajustable
Backrest (Touring)	861 7552 00	Dossier (Touring)
Backrest (Touring) (adj kit)	861 7553 00	Dossier ajust (Tour) (ens. ajust)
Carbide ski runner (8)	505 0672 20	Lisse au carbure (8)
Extension kit (SC 10)	861 7594 00	Ensemble extension (SC-10)
Fuel gauge electric	861 5036 00	Ind. électrique de carburant
High altitude kit	861 7565 00	Ensemble haute altitude
Hitch (type hook)	861 7225 00 <sup>(1)</sup>	Attelage type crochet
Hitch (type tongue)	861 7546 00	Attelage type languette
Hourmeter	861 7482 00	Compteur horaire
Luggage rack (opt. backrest)	414 7182 00	Porte-bagages (pour dossier opt.)
Ski assembly (plastic) (pink)	860 5006 00	Ens. ski (plastique) (rose)
Ski assembly (plastic) (red)	860 5007 00	Ens. ski (plastique) (rouge)
Ski assembly (plastic) (violet)	860 5008 00	Ens. ski (plastique) (violet)
Ski assembly (plastic) (yellow)	860 5009 00	Ens. ski (plastique) (jaune)
Ski liner (plastic) (black)	860 5002 00	Garniture de ski (noir)
Ski liner (plastic) (red)	860 4224 00	Garniture de ski (rouge)
Ski sole (narrow) (black)	572 0904 00	Semelle de ski étroite (noire)
Ski sole (narrow) (pink)	572 0905 00	Semelle de ski étroite (rose)
Ski sole (narrow) (red)	572 0906 00	Semelle de ski étroite (rouge)
Ski sole (narrow) (yellow)	572 0908 00	Semelle de ski étroite (jaune)
Ski sole (narrow) (violet)	572 0907 00	Semelle de ski étroite (violet)
Ski steel (wide)	505 0678 10	Ski large (acier)
Skid plate (black)	861 7497 00	Plaque protectrice (noir)
Skid plate (pink)	861 7589 00	Plaque protectrice (rose)
Skid plate (red)	861 7534 00	Plaque protectrice (rouge)
Skid plate (violet)	861 7590 00	Plaque protectrice (violet)
Skid plate (yellow)	861 7498 00	Plaque protectrice (jaune)
Slider shoe SC-10 (black)	560 3149 00	Glissière SC-10 (noire)

**Note:** (1) Tongue type hitch required / Attelage type languette requis



OPTIONS **97**

Slider shoe SC-10 (pink)	560 1028 00	Glissière SC-10 (rose)
Slider shoe SC-10 (red)	560 1030 00	Glissière SC-10 (rouge)
Slider shoe SC-10 (violet)	560 1029 00	Glissière SC-10 (violet)
Slider shoe SC-10 (yellow)	560 1031 00	Glissière SC-10 (jaune)
Temperature gauge (electric)	861 7557 00	Ind. électrique de température
Track (15" x 121") (.912)	570 2101 00	Chenille (15" x 121") 23.2mm
Windshield (low)	414 7959 00	Pare-brise bas
Windshield (medium)	415 0505 00	Pare-brise moyen



OPTIONS 97

# FORMULA 500

## Models / Modèles 1138, 1139

Backrest (adjustable)	861 7587 00	Dossier ajustable
Backrest (Touring)	861 7552 00	Dossier (Touring)
Backrest (Touring) (adj kit)	861 7553 00	Dossier ajust (Tour) (ens. ajust)
Electric starter	861 5033 00	Démarreur électrique
Extension kit (SC 10)	861 7594 00	Ensemble extension (SC-10)
Forward/reverse transmission	860 4234 00	Transmission marche arrière
Fuel gauge electric	861 5036 00	Ind. électrique de carburant
High altitude kit	861 7565 00	Ensemble haute altitude
Hitch (type hook)	861 7225 00 <sup>(1)</sup>	Attelage type crochet
Hitch (type tongue)	861 7546 00	Attelage type languette
Hourmeter	861 7482 00	Compteur horaire
Luggage rack (opt. backrest)	414 7182 00	Porte-bagages (pour dossier opt.)
Mirror	861 7493 00	Rétroviseur
Ski assembly (plastic) (black)	860 5005 00	Ens. ski (plastique) (noir)
Ski assembly (plastic) (pink)	860 5006 00	Ens. ski (plastique) (rose)
Ski assembly (plastic) (red)	860 5007 00	Ens. ski (plastique) (rouge)
Ski assembly (plastic) (violet)	860 5008 00	Ens. ski (plastique) (violet)
Ski assembly (plastic) (yellow)	860 5009 00	Ens. ski (plastique) (jaune)
Ski liner (plastic) (black)	572 0783 00	Garniture de ski (noir)
Ski liner (plastic) (red)	572 0743 00	Garniture de ski (rouge)
Ski liner (plastic) (narrow) (black)	572 0956 00	Garniture de ski étroite (noir)
Ski liner (plastic) (narrow) (red)	572 0957 00	Garniture de ski étroite (rouge)
Ski sole (narrow) (black)	572 0904 00 <sup>(2)</sup>	Semelle de ski étroite (noire)
Ski sole (narrow) (pink)	572 0905 00 <sup>(2)</sup>	Semelle de ski étroite (rose)
Ski sole (narrow) (red)	572 0906 00 <sup>(2)</sup>	Semelle de ski étroite (rouge)
Ski sole (narrow) (yellow)	572 0908 00 <sup>(2)</sup>	Semelle de ski étroite (jaune)
Ski sole (narrow) (violet)	572 0907 00 <sup>(2)</sup>	Semelle de ski étroite (violet)
Skid plate (black)	861 7497 00	Plaque protectrice (noir)
Skid plate (pink)	861 7589 00	Plaque protectrice (rose)

**Note:** (1) Tongue type hitch required / Attelage type languette requis

**Note:** (2) Bridge kit required (P/N 860 6005 00) / Ens. d'attaches requis (N/P 860 6005 00)



OPTIONS **97**

Skid plate (red)	861 7534 00	Plaque protectrice (rouge)
Skid plate (violet)	861 7590 00	Plaque protectrice (violet)
Skid plate (yellow)	861 7498 00	Plaque protectrice (jaune)
Slider shoe SC-10 (black)	560 3149 00	Glissière de ski étroite (noire)
Slider shoe SC-10 (pink)	560 1028 00	Glissière de ski étroite (rose)
Slider shoe SC-10 (red)	560 1030 00	Glissière de ski étroite (rouge)
Slider shoe SC-10 (violet)	560 1029 00	Glissière de ski étroite (violet)
Slider shoe SC-10 (yellow)	560 1031 00	Glissière de ski étroite (jaune)
Temperature gauge (electric)	861 7557 00	Ind. électrique de température
Track (15" x 121") (.912)	570 2101 00	Chenille (15" x 121") 23.2 mm
Windshield (high)	414 9391 00	Pare-brise haut
Windshield (medium)	415 0505 00	Pare-brise moyen



OPTIONS 97



# FORMULA SL

Models / Modèles 1106, 1107

Backrest (adjustable)	861 7587 00	Dossier ajustable
Backrest (Touring)	861 7552 00	Dossier (Touring)
Backrest (Touring) (adj kit)	861 7553 00	Dossier ajust (Tour) (ens. ajust)
Carbide ski runner (5)	505 0663 20	Lisse au carbure (5)
Electric starter	861 7555 00	Démarrreur électrique
Forward/reverse transmission	860 4232 00	Transmission marche arrière
Fuel gauge electric	861 5036 00	Ind. électrique de carburant
High altitude kit	861 7566 00	Ensemble haute altitude
Hitch (type hook)	861 7225 00 <sup>(1)</sup>	Attelage type crochet
Hitch (type tongue)	861 7546 00	Attelage type languette
Hourmeter	861 7482 00	Compteur horaire
Luggage rack (opt. backrest)	414 7182 00	Porte-bagages (pour dossier opt.)
Mirror	861 7493 00	Rétroviseur
Ski assembly (plastic) (black)	860 5005 00	Ens. ski (plastique) (noir)
Ski assembly (plastic) (pink)	860 5006 00	Ens. ski (plastique) (rose)
Ski assembly (plastic) (red)	860 5007 00	Ens. ski (plastique) (rouge)
Ski assembly (plastic) (violet)	860 5008 00	Ens. ski (plastique) (violet)
Ski assembly (plastic) (yellow)	860 5009 00	Ens. ski (plastique) (jaune)
Ski liner (plastic) (black)	572 0783 00	Garniture de ski (noir)
Ski liner (plastic) (red)	572 0743 00	Garniture de ski (rouge)
Ski liner (plastic) (narrow) (black)	572 0956 00	Garniture de ski étroite (noir)
Ski liner (plastic) (narrow) (red)	572 0957 00	Garniture de ski étroite (rouge)
Ski sole (narrow) (black)	572 0904 00 <sup>(2)</sup>	Semelle de ski étroite (noire)
Ski sole (narrow) (pink)	572 0905 00 <sup>(2)</sup>	Semelle de ski étroite (rose)
Ski sole (narrow) (red)	572 0906 00 <sup>(2)</sup>	Semelle de ski étroite (rouge)
Ski sole (narrow) (yellow)	572 0908 00 <sup>(2)</sup>	Semelle de ski étroite (jaune)
Ski sole (narrow) (violet)	572 0907 00 <sup>(2)</sup>	Semelle de ski étroite (violet)
Skid plate (black)	861 7497 00	Plaque protectrice (noir)
Skid plate (pink)	861 7589 00	Plaque protectrice (rose)

**Note:** (1) Tongue type hitch required / Attelage type languette requis

**Note:** (2) Bridge kit required (P/N 860 6005 00) / Ens. d'attaches requis (N/P 860 6005 00)



OPTIONS **97**

Skid plate (red)	861 7534 00	Plaque protectrice (rouge)
Skid plate (violet)	861 7590 00	Plaque protectrice (violet)
Skid plate (yellow)	861 7498 00	Plaque protectrice (jaune)
Slider shoe SC-10 (black)	560 3149 00	Glissière SC-10 (noire)
Slider shoe SC-10 (pink)	560 1028 00	Glissière SC-10 (rose)
Slider shoe SC-10 (red)	560 1030 00	Glissière SC-10 (rouge)
Slider shoe SC-10 (violet)	560 1029 00	Glissière SC-10 (violet)
Slider shoe SC-10 (yellow)	560 1031 00	Glissière SC-10 (jaune)
Tunnel protector kit	861 7492 00	Protecteur châssis
Windshield (high)	415 0350 10	Pare-brise haut



OPTIONS **97**





# FORMULA S

## Models / Modèles 1108, 1109

Backrest (adjustable)	861 7587 00	Dossier ajustable
Backrest (Touring)	861 7552 00	Dossier (Touring)
Backrest (Touring) (adj kit)	861 7553 00	Dossier ajust (Tour) (ens. ajust)
Carbide ski runner (5)	505 0663 20	Lisse au carbure (5)
Electric starter	861 7556 00	Démarrreur électrique
Forward/reverse transmission	860 4232 00	Transmission marche arrière
Fuel gauge electric	861 5036 00	Ind. électrique de carburant
Heated grips	861 5025 00	Poignées chauffantes
Heated throttle lever	861 7558 00	Manette accéléér. chauffante
High altitude kit	861 7567 00	Ensemble haute altitude
Hitch (type hook)	861 7225 00 <sup>(1)</sup>	Attelage type crochet
Hitch (type tongue)	861 7546 00	Attelage type languette
Hourmeter	861 7482 00	Compteur horaire
Luggage rack (opt. backrest)	414 7182 00	Porte-bagages (pour dossier opt.)
Mirror	861 7493 00	Rétroviseur
Ski assembly (plastic) (black)	860 5005 00	Ens. ski (plastique) (noir)
Ski assembly (plastic) (pink)	860 5006 00	Ens. ski (plastique) (rose)
Ski assembly (plastic) (red)	860 5007 00	Ens. ski (plastique) (rouge)
Ski assembly (plastic) (violet)	860 5008 00	Ens. ski (plastique) (violet)
Ski assembly (plastic) (yellow)	860 5009 00	Ens. ski (plastique) (jaune)
Ski liner (plastic) (black)	572 0783 00	Garniture de ski (noir)
Ski liner (plastic) (red)	572 0743 00	Garniture de ski (rouge)
Ski liner (plastic) (narrow) (black)	572 0956 00	Garniture de ski étroite (noir)
Ski liner (plastic) (narrow) (red)	572 0957 00	Garniture de ski étroite (rouge)
Ski sole (narrow) (black)	572 0904 00 <sup>(2)</sup>	Semelle de ski étroite (noire)
Ski sole (narrow) (pink)	572 0905 00 <sup>(2)</sup>	Semelle de ski étroite (rose)
Ski sole (narrow) (red)	572 0906 00 <sup>(2)</sup>	Semelle de ski étroite (rouge)
Ski sole (narrow) (yellow)	572 0908 00 <sup>(2)</sup>	Semelle de ski étroite (jaune)
Ski sole (narrow) (violet)	572 0907 00 <sup>(2)</sup>	Semelle de ski étroite (violet)

**Note:** (1) Tongue type hitch required / Attelage type languette requis

**Note:** (2) Bridge kit required (P/N 860 6005 00) / Ens. d'attaches requis (N/P 860 6005 00)



# OPTIONS 97

Skid plate (black)	861 7497 00	Plaque protectrice (noir)
Skid plate (pink)	861 7589 00	Plaque protectrice (rose)
Skid plate (red)	861 7534 00	Plaque protectrice (rouge)
Skid plate (violet)	861 7590 00	Plaque protectrice (violet)
Skid plate (yellow)	861 7498 00	Plaque protectrice (jaune)
Slider shoe SC-10 (black)	560 3149 00	Glissière SC-10 (noire)
Slider shoe SC-10 (pink)	560 1028 00	Glissière SC-10 (rose)
Slider shoe SC-10 (red)	560 1030 00	Glissière SC-10 (rouge)
Slider shoe SC-10 (violet)	560 1029 00	Glissière SC-10 (violet)
Slider shoe SC-10 (yellow)	560 1031 00	Glissière SC-10 (jaune)
Tachometer gauge	861 7466 00	Indicateur tachymètre
Tunnel protector kit	861 7492 00	Protecteur châssis
Windshield (high)	415 0350 10	Pare-brise haut



OPTIONS 97



# MX Z 670

Models / Modèles 1193, 1194

Extension kit (SC 10)	861 7594 00	Ensemble extension SC-10
Forward/reverse transmission	860 4233 00	Transmission marche arrière
Fuel gauge electric	861 5035 00	Ind. électrique de carburant
High altitude kit	861 7568 00	Ensemble haute altitude
Hourmeter	861 7482 00	Compteur horaire
Mirror	861 7493 00	Rétroviseur
Ski liner (plastic) (narrow) (black)	572 0958 00	Garniture de ski étroite (noir)
Ski liner (plastic) (narrow) (red)	572 0959 00	Garniture de ski étroite (rouge)
Ski liner (plastic) (narrow) (yellow)	572 0960 00	Garniture de ski étroite (jaune)
Skid plate (black)	861 7497 00	Plaque protectrice (noir)
Skid plate (pink)	861 7589 00	Plaque protectrice (rose)
Skid plate (red)	861 7534 00	Plaque protectrice (rouge)
Skid plate (violet)	861 7590 00	Plaque protectrice (violet)
Skid plate (yellow)	861 7498 00	Plaque protectrice (jaune)
Slider shoe SC-10 (black)	560 3149 00	Glissière SC-10 (noire)
Slider shoe SC-10 (pink)	560 1028 00	Glissière SC-10 (rose)
Slider shoe SC-10 (red)	560 1030 00	Glissière SC-10 (rouge)
Slider shoe SC-10 (violet)	560 1029 00	Glissière SC-10 (violet)
Slider shoe SC-10 (yellow)	560 1031 00	Glissière SC-10 (jaune)
Temperature gauge	861 7586 00	Ind. électrique de température
Track (15.0' x 121") (1.45)	861 7535 00	Chenille (15.0' x 121") 36.8 mm
Windshield (high)	414 9391 00	Pare-brise haut
Windshield (medium)	415 0505 00	Pare-brise moyen



OPTIONS 97



# MX Z 583

## Models / Modèles 1174, 1175

Extension kit (SC 10)	861 7594 00	Ensemble extension SC-10
Forward/reverse transmission	860 4233 00	Transmission marche arrière
Fuel gauge electric	861 5035 00	Ind. électrique de carburant
High altitude kit	861 7569 00	Ensemble haute altitude
Hourmeter	861 7482 00	Compteur horaire
Mirror	861 7493 00	Rétroviseur
Ski liner (plastic) (narrow) (black)	572 0958 00	Garniture de ski étroite (noir)
Ski liner (plastic) (narrow) (red)	572 0959 00	Garniture de ski étroite (rouge)
Ski liner (plastic) (narrow) (yellow)	572 0960 00	Garniture de ski étroite (jaune)
Skid plate (black)	861 7497 00	Plaque protectrice (noir)
Skid plate (pink)	861 7589 00	Plaque protectrice (rose)
Skid plate (red)	861 7534 00	Plaque protectrice (rouge)
Skid plate (violet)	861 7590 00	Plaque protectrice (violet)
Skid plate (yellow)	861 7498 00	Plaque protectrice (jaune)
Slider shoe SC-10 (black)	560 3149 00	Glissière SC-10 (noire)
Slider shoe SC-10 (pink)	560 1028 00	Glissière SC-10 (rose)
Slider shoe SC-10 (red)	560 1030 00	Glissière SC-10 (rouge)
Slider shoe SC-10 (violet)	560 1029 00	Glissière SC-10 (violet)
Slider shoe SC-10 (yellow)	560 1031 00	Glissière SC-10 (jaune)
Temperature gauge	861 7586 00	Ind. électrique de température
Track (15.0' x 121") (1.45)	861 7535 00	Chenille (15.0' x 121") 36.8 mm
Windshield (high)	414 9391 00	Pare-brise haut
Windshield (medium)	415 0505 00	Pare-brise moyen



OPTIONS 97



# MX Z 440

Models / Modèles 1168, 1169

Extension kit (SC 10)	861 7594 00	Ensemble extension SC-10
Forward/reverse transmission	860 4233 00	Transmission marche arrière
High altitude kit	861 7570 00	Ensemble haute altitude
Hourmeter	861 7482 00	Compteur horaire
Mirror	861 7493 00	Rétroviseur
Ski liner (plastic) (narrow) (black)	572 0958 00	Garniture de ski étroite (noir)
Ski liner (plastic) (narrow) (red)	572 0959 00	Garniture de ski étroite (rouge)
Ski liner (plastic) (narrow) (yellow)	572 0960 00	Garniture de ski étroite (jaune)
Skid plate (black)	861 7497 00	Plaque protectrice (noir)
Skid plate (pink)	861 7589 00	Plaque protectrice (rose)
Skid plate (red)	861 7534 00	Plaque protectrice (rouge)
Skid plate (violet)	861 7590 00	Plaque protectrice (violet)
Skid plate (yellow)	861 7498 00	Plaque protectrice (jaune)
Slider shoe SC-10 (black)	560 3149 00	Glissière SC-10 (noire)
Slider shoe SC-10 (pink)	560 1028 00	Glissière SC-10 (rose)
Slider shoe SC-10 (red)	560 1030 00	Glissière SC-10 (rouge)
Slider shoe SC-10 (violet)	560 1029 00	Glissière SC-10 (violet)
Slider shoe SC-10 (yellow)	560 1031 00	Glissière SC-10 (jaune)
Temperature gauge	861 7586 00	Ind. électrique de température
Track (15.0" x 121") (1.45)	861 7535 00	Chenille (15.0" x 121") 36.8 mm
Track (15.0" x 121") (.912)	570 2101 00	Chenille (15.0" x 121") 23.2 mm
Windshield (high)	414 9391 00	Pare-brise haut
Windshield (medium)	415 0505 00	Pare-brise moyen



OPTIONS 97



# MX Z 440F

Models / Modèles 1171, 1172

Forward/reverse transmission	860 4232 00	Transmission marche arrière
High altitude kit	861 7571 00	Ensemble haute altitude
Hourmeter	861 7482 00	Compteur horaire
Mirror	861 7493 00	Rétroviseur
Ski liner (plastic) (narrow) (black)	572 0958 00	Garniture de ski étroite (noir)
Ski liner (plastic) (narrow) (red)	572 0959 00	Garniture de ski étroite (rouge)
Ski liner (plastic) (narrow) (yellow)	572 0960 00	Garniture de ski étroite (jaune)
Ski steel (wide)	505 0678 10	Ski étroit (acier)
Skid plate (black)	861 7497 00	Plaque protectrice (noir)
Skid plate (pink)	861 7589 00	Plaque protectrice (rose)
Skid plate (red)	861 7534 00	Plaque protectrice (rouge)
Skid plate (violet)	861 7590 00	Plaque protectrice (violet)
Skid plate (yellow)	861 7498 00	Plaque protectrice (jaune)
Slider shoe SC-10 (black)	560 3149 00	Glissière SC-10 (noire)
Slider shoe SC-10 (pink)	560 1028 00	Glissière SC-10 (rose)
Slider shoe SC-10 (red)	560 1030 00	Glissière SC-10 (rouge)
Slider shoe SC-10 (violet)	560 1029 00	Glissière SC-10 (violet)
Slider shoe SC-10 (yellow)	560 1031 00	Glissière SC-10 (jaune)
Tunnel protector kit	861 7492 00	Protecteur châssis
Windshield (high)	414 9391 00	Pare-brise haut
Windshield (medium)	415 0505 00	Pare-brise moyen



OPTIONS 97



# SUMMIT 670

Models / Modèles 1162, 1163

Backrest (adjustable)	861 7587 00	Dossier ajustable
Backrest (Touring)	861 7552 00	Dossier (Touring)
Backrest (Touring) (adj kit)	861 7553 00	Dossier ajust (Tour) (ens. ajust)
Backrest (adjustable GT)	861 7554 00 <sup>(1)</sup>	Dossier ajustable (GT)
Carbide ski runner (8)	505 0672 20	Lisse au carbure (8)
Electric starter	861 5033 00	Démarrreur électrique
Forward/reverse transmission	860 4233 00	Transmission marche arrière
Fuel gauge (electric)	861 5035 00	Ind. de carburant électrique
Hitch (type hook)	861 7225 00 <sup>(2)</sup>	Attelage type crochet
Hitch (type tongue)	861 7546 00	Attelage type languette
Hourmeter	861 7482 00	Compteur horaire
Luggage rack	861 7473 00	Porte-bagages
Luggage rack (GT)	861 7582 00	Porte-bagages (GT)
Mirror	861 7493 00	Rétroviseur
Ski assembly (plastic) (pink)	860 5006 00	Ens. ski (plastique) (rose)
Ski assembly (plastic) (red)	860 5007 00	Ens. ski (plastique) (rouge)
Ski assembly (plastic) (violet)	860 5008 00	Ens. ski (plastique) (violet)
Ski assembly (plastic) (yellow)	860 5009 00	Ens. ski (plastique) (jaune)
Ski liner (plastic) (black)	860 5002 00	Garniture de ski (noir)
Ski liner (plastic) (red)	860 4224 00	Garniture de ski (rouge)
Ski sole (narrow) (black)	572 0904 00	Semelle de ski étroite (noire)
Ski sole (narrow) (pink)	572 0905 00	Semelle de ski étroite (rose)
Ski sole (narrow) (red)	572 0906 00	Semelle de ski étroite (rouge)
Ski sole (narrow) (yellow)	572 0908 00	Semelle de ski étroite (jaune)
Ski sole (narrow) (violet)	572 0907 00	Semelle de ski étroite (violet)
Ski stance widening kit	860 5004 00	Ens. d'élargis de la voie des skis
Skid plate (black)	861 7497 00	Plaque protectrice (noir)
Skid plate (pink)	861 7589 00	Plaque protectrice (rose)
Skid plate (red)	861 7534 00	Plaque protectrice (rouge)

**Note:** (1) Luggage rack GT type required / Ens. porte-bagages type GT requis

**Note:** (2) Tongue type hitch required / Attelage type languette requis



OPTIONS **97**

Skid plate (violet)	861 7590 00	Plaque protectrice (violet)
Skid plate (yellow)	861 7498 00	Plaque protectrice (jaune)
Slider shoe SC-10 (black)	560 3149 00	Glissière SC-10 (noire)
Slider shoe SC-10 (pink)	560 1028 00	Glissière SC-10 (rose)
Slider shoe SC-10 (red)	560 1030 00	Glissière SC-10 (rouge)
Slider shoe SC-10 (violet)	560 1029 00	Glissière SC-10 (violet)
Slider shoe SC-10 (yellow)	560 1031 00	Glissière SC-10 (jaune)
Temperature gauge (electric)	861 7586 00	Ind. électrique de température
Track (15.0' x 136") (.912")	570 2100 00	Chenille (15.0' x 136") 23.2mm
Track (15.0' x 136") (2.00")	861 7598 00	Chenille (15.0' x 136") 50.0mm
Windshield (high)	414 9391 00	Pare-brise haut
Windshield (medium)	415 0505 00	Pare-brise moyen



OPTIONS **97**





# SUMMIT 583

Models / Modèles 1159, 1160

Backrest (adjustable)	861 7587 00	Dossier ajustable
Backrest (Touring)	861 7552 00	Dossier (Touring)
Backrest (Touring) (adj kit)	861 7553 00	Dossier ajust (Tour) (ens. ajust)
Backrest (adjustable GT)	861 7554 00 <sup>(1)</sup>	Dossier ajustable (GT)
Carbide ski runner (8)	505 0672 20	Lisse au carbure (8)
Electric starter	861 5033 00	Démarrreur électrique
Forward/reverse transmission	860 4233 00	Transmission marche arrière
Fuel gauge (electric)	861 5035 00	Ind. de carburant électrique
Hitch (type hook)	861 7225 00 <sup>(2)</sup>	Attelage type crochet
Hitch (type tongue)	861 7546 00	Attelage type languette
Hourmeter	861 7482 00	Compteur horaire
Luggage rack	861 7473 00	Porte-bagages
Luggage rack (GT)	861 7582 00	Porte-bagages (GT)
Mirror	861 7493 00	Rétroviseur
Ski assembly (plastic) (pink)	860 5006 00	Ens. ski (plastique) (rose)
Ski assembly (plastic) (red)	860 5007 00	Ens. ski (plastique) (rouge)
Ski assembly (plastic) (violet)	860 5008 00	Ens. ski (plastique) (violet)
Ski assembly (plastic) (yellow)	860 5009 00	Ens. ski (plastique) (jaune)
Ski liner (plastic) (black)	860 5002 00	Garniture de ski (noir)
Ski liner (plastic) (red)	860 4224 00	Garniture de ski (rouge)
Ski sole (narrow) (black)	572 0904 00	Semelle de ski étroite (noire)
Ski sole (narrow) (pink)	572 0905 00	Semelle de ski étroite (rose)
Ski sole (narrow) (red)	572 0906 00	Semelle de ski étroite (rouge)
Ski sole (narrow) (yellow)	572 0908 00	Semelle de ski étroite (jaune)
Ski sole (narrow) (violet)	572 0907 00	Semelle de ski étroite (violet)
Ski stance widening kit	860 5004 00	Ens. d'élargis de la voie des skis
Skid plate (black)	861 7497 00	Plaque protectrice (noir)
Skid plate (pink)	861 7589 00	Plaque protectrice (rose)
Skid plate (red)	861 7534 00	Plaque protectrice (rouge)

**Note:** (1) Luggage rack GT type required / Ens. porte-bagages type GT requis

**Note:** (2) Tongue type hitch required / Attelage type languette requis



OPTIONS 97

Skid plate (violet)	861 7590 00	Plaque protectrice (violet)
Skid plate (yellow)	861 7498 00	Plaque protectrice (jaune)
Slider shoe SC-10 (black)	560 3149 00	Glissière SC-10 (noire)
Slider shoe SC-10 (pink)	560 1028 00	Glissière SC-10 (rose)
Slider shoe SC-10 (red)	560 1030 00	Glissière SC-10 (rouge)
Slider shoe SC-10 (violet)	560 1029 00	Glissière SC-10 (violet)
Slider shoe SC-10 (yellow)	560 1031 00	Glissière SC-10 (jaune)
Temperature gauge (electric)	861 7586 00	Ind. électrique de température
Track (15.0" x 136") (.912")	570 2100 00	Chenille (15.0" x 136") 23.2mm
Track (15.0" x 136") (2.00")	861 7598 00	Chenille (15.0" x 136") 50.0mm
Windshield (high)	414 9391 00	Pare-brise haut
Windshield (medium)	415 0505 00	Pare-brise moyen



OPTIONS 97



# SUMMIT 500

## Models / Modèles 1157, 1158

Backrest (adjustable)	861 7587 00	Dossier ajustable
Backrest (Touring)	861 7552 00	Dossier (Touring)
Backrest (Touring) (adj kit)	861 7553 00	Dossier ajust (Tour) (ens. ajust)
Backrest (adjustable GT)	861 7554 00 <sup>(1)</sup>	Dossier ajustable (GT)
Carbide ski runner (8)	505 0672 20	Lisse au carbure (8)
Electric starter	861 5033 00	Démarreur électrique
Forward/reverse transmission	860 4234 00	Transmission marche arrière
Fuel gauge (electric)	861 5035 00	Ind. de carburant électrique
Hitch (type hook)	861 7225 00 <sup>(2)</sup>	Attelage type crochet
Hitch (type tongue)	861 7546 00	Attelage type languette
Hourmeter	861 7482 00	Compteur horaire
Luggage rack	861 7473 00	Porte-bagages
Luggage rack (GT)	861 7582 00	Porte-bagages (GT)
Mirror	861 7493 00	Rétroviseur
Ski assembly (plastic) (pink)	860 5006 00	Ens. ski (plastique) (rose)
Ski assembly (plastic) (red)	860 5007 00	Ens. ski (plastique) (rouge)
Ski assembly (plastic) (violet)	860 5008 00	Ens. ski (plastique) (violet)
Ski assembly (plastic) (yellow)	860 5009 00	Ens. ski (plastique) (jaune)
Ski liner (plastic) (black)	860 5002 00	Garniture de ski (noir)
Ski liner (plastic) (red)	860 4224 00	Garniture de ski (rouge)
Ski sole (narrow) (black)	572 0904 00	Semelle de ski étroite (noire)
Ski sole (narrow) (pink)	572 0905 00	Semelle de ski étroite (rose)
Ski sole (narrow) (red)	572 0906 00	Semelle de ski étroite (rouge)
Ski sole (narrow) (yellow)	572 0908 00	Semelle de ski étroite (jaune)
Ski sole (narrow) (violet)	572 0907 00	Semelle de ski étroite (violet)
Ski stance widening kit	860 5004 00	Ens. d'élargis de la voie des skis
Skid plate (black)	861 7497 00	Plaque protectrice (noir)
Skid plate (pink)	861 7589 00	Plaque protectrice (rose)
Skid plate (red)	861 7534 00	Plaque protectrice (rouge)

**Note:** (1) Luggage rack GT type required / Ens. porte-bagages type GT requis

**Note:** (2) Tongue type hitch required / Attelage type languette requis



# OPTIONS 97

Skid plate (violet)	861 7590 00	Plaque protectrice (violet)
Skid plate (yellow)	861 7498 00	Plaque protectrice (jaune)
Slider shoe SC-10 (black)	560 3149 00	Glissière SC-10 (noire)
Slider shoe SC-10 (pink)	560 1028 00	Glissière SC-10 (rose)
Slider shoe SC-10 (red)	560 1030 00	Glissière SC-10 (rouge)
Slider shoe SC-10 (violet)	560 1029 00	Glissière SC-10 (violet)
Slider shoe SC-10 (yellow)	560 1031 00	Glissière SC-10 (jaune)
Temperature gauge (electric)	861 7586 00	Ind. électrique de température
Track (15.0' x 136") (.912") 23.2mm	570 2100 00	Chenille (15.0' x 136") (.912") 23.2mm
Windshield (high)	414 9391 00	Pare-brise haut
Windshield (medium)	415 0505 00	Pare-brise moyen



OPTIONS 97



# GRAND TOURING SE

Models / Modèles 1129, 1130

Carbide ski runner (8)	505 0672 20	Lisse au carbure (8)
High altitude kit	861 7572 00	Ensemble haute altitude
Hitch (type hook)	861 7225 00	Attelage type crochet
Hourmeter	861 7482 00	Compteur horaire
Ski assembly (plastic) (pink)	860 5006 00	Ens. ski (plastique) (rose)
Ski assembly (plastic) (red)	860 5007 00	Ens. ski (plastique) (rouge)
Ski assembly (plastic) (violet)	860 5008 00	Ens. ski (plastique) (violet)
Ski assembly (plastic) (yellow)	860 5009 00	Ens. ski (plastique) (jaune)
Ski liner (plastic) (black)	860 5002 00	Garniture de ski (noir)
Ski liner (plastic) (red)	860 4224 00	Garniture de ski (rouge)
Ski sole (narrow) (black)	572 0904 00	Semelle de ski étroite (noire)
Ski sole (narrow) (pink)	572 0905 00	Semelle de ski étroite (rose)
Ski sole (narrow) (red)	572 0906 00	Semelle de ski étroite (rouge)
Ski sole (narrow) (yellow)	572 0908 00	Semelle de ski étroite (jaune)
Ski sole (narrow) (violet)	572 0907 00	Semelle de ski étroite (violet)
Ski steel (narrow)	505 0650 00	Ski étroit (acier)
Ski steel (wide)	505 0645 00	Ski large (acier)
Skid plate (black)	861 7472 00	Plaque protectrice (noir)
Skid plate (pink)	861 7584 00	Plaque protectrice (rose)
Skid plate (red)	861 7536 00	Plaque protectrice (rouge)
Skid plate (violet)	861 7588 00	Plaque protectrice (violet)
Skid plate (yellow)	861 7486 00	Plaque protectrice (jaune)
Slider shoe SC-10 (black)	560 3149 00	Glissière SC-10 (noire)
Slider shoe SC-10 (pink)	560 1028 00	Glissière SC-10 (rose)
Slider shoe SC-10 (red)	560 1030 00	Glissière SC-10 (rouge)
Slider shoe SC-10 (violet)	560 1029 00	Glissière SC-10 (violet)
Slider shoe SC-10 (yellow)	560 1031 00	Glissière SC-10 (jaune)
Windshield (low)	414 7959 00	Pare-brise bas
Windshield (medium)	415 0505 00	Pare-brise moyen



OPTIONS 97



# GRAND TOURING 583

Models / Modèles 1126, 1127

Carbide ski runner (8)	505 0672 20	Lisse au carbure (8)
High altitude kit	861 7573 00	Ensemble haute altitude
Hitch (type hook)	861 7225 00 <sup>(1)</sup>	Attelage type crochet
Hitch (tongue type)	861 7593 00	Attelage type languette
Hourmeter	861 7482 00	Compteur horaire
Ski assembly (plastic) (pink)	860 5006 00	Ens. ski (plastique) (rose)
Ski assembly (plastic) (red)	860 5007 00	Ens. ski (plastique) (rouge)
Ski assembly (plastic) (violet)	860 5008 00	Ens. ski (plastique) (violet)
Ski assembly (plastic) (yellow)	860 5009 00	Ens. ski (plastique) (jaune)
Ski liner (plastic) (black)	860 5002 00	Garniture de ski (noir)
Ski liner (plastic) (red)	860 4224 00	Garniture de ski (rouge)
Ski sole (narrow) (black)	572 0904 00	Semelle de ski étroite (noire)
Ski sole (narrow) (pink)	572 0905 00	Semelle de ski étroite (rose)
Ski sole (narrow) (red)	572 0906 00	Semelle de ski étroite (rouge)
Ski sole (narrow) (yellow)	572 0908 00	Semelle de ski étroite (jaune)
Ski sole (narrow) (violet)	572 0907 00	Semelle de ski étroite (violet)
Skid plate (black)	861 7497 00	Plaque protectrice (noir)
Skid plate (pink)	861 7589 00	Plaque protectrice (rose)
Skid plate (red)	861 7534 00	Plaque protectrice (rouge)
Skid plate (violet)	861 7590 00	Plaque protectrice (violet)
Skid plate (yellow)	861 7498 00	Plaque protectrice (jaune)
Slider shoe SC-10 (black)	560 3149 00	Glissière SC-10 (noire)
Slider shoe SC-10 (pink)	560 1028 00	Glissière SC-10 (rose)
Slider shoe SC-10 (red)	560 1030 00	Glissière SC-10 (rouge)
Slider shoe SC-10 (violet)	560 1029 00	Glissière SC-10 (violet)
Slider shoe SC-10 (yellow)	560 1031 00	Glissière SC-10 (jaune)
Windshield (low)	414 7959 00	Pare-brise bas
Windshield (medium)	415 0505 00	Pare-brise moyen

**Note:** (1) Tongue type hitch required / Attelage type languette requis



OPTIONS 97



# GRAND TOURING 500

Models / Modèles 1123, 1124

Carbide ski runner (8)	505 0672 20	Lisse au carbure (8)
High altitude kit	861 7574 00	Ensemble haute altitude
Hitch (type hook)	861 7225 00 <sup>(1)</sup>	Attelage type crochet
Hitch (tongue type)	861 7593 00	Attelage type languette
Hourmeter	861 7482 00	Compteur horaire
Ski assembly (plastic) (pink)	860 5006 00	Ens. ski (plastique) (rose)
Ski assembly (plastic) (red)	860 5007 00	Ens. ski (plastique) (rouge)
Ski assembly (plastic) (violet)	860 5008 00	Ens. ski (plastique) (violet)
Ski assembly (plastic) (yellow)	860 5009 00	Ens. ski (plastique) (jaune)
Ski liner (plastic) (black)	860 5002 00	Garniture de ski (noir)
Ski liner (plastic) (red)	860 4224 00	Garniture de ski (rouge)
Ski sole (narrow) (black)	572 0904 00	Semelle de ski étroite (noire)
Ski sole (narrow) (pink)	572 0905 00	Semelle de ski étroite (rose)
Ski sole (narrow) (red)	572 0906 00	Semelle de ski étroite (rouge)
Ski sole (narrow) (yellow)	572 0908 00	Semelle de ski étroite (jaune)
Ski sole (narrow) (violet)	572 0907 00	Semelle de ski étroite (violet)
Skid plate (black)	861 7497 00	Plaque protectrice (noir)
Skid plate (pink)	861 7589 00	Plaque protectrice (rose)
Skid plate (red)	861 7534 00	Plaque protectrice (rouge)
Skid plate (violet)	861 7590 00	Plaque protectrice (violet)
Skid plate (yellow)	861 7498 00	Plaque protectrice (jaune)
Slider shoe SC-10 (black)	560 3149 00	Glissière SC-10 (noire)
Slider shoe SC-10 (pink)	560 1028 00	Glissière SC-10 (rose)
Slider shoe SC-10 (red)	560 1030 00	Glissière SC-10 (rouge)
Slider shoe SC-10 (violet)	560 1029 00	Glissière SC-10 (violet)
Slider shoe SC-10 (yellow)	560 1031 00	Glissière SC-10 (jaune)
Windshield (low)	414 7959 00	Pare-brise bas
Windshield (medium)	415 0505 00	Pare-brise moyen

**Note:** (1) Tongue type hitch required / Attelage type languette requis



OPTIONS 97



# TOURING SLE

Models / Modèles 1110, 1111

Backrest (Touring) (adj kit)	861 7553 00	Dossier ajust (Tour) (ens. ajust)
Fuel gauge (electric)	861 5036 00	Ind. de carburant électrique
High altitude kit	861 7575 00	Ensemble haute altitude
Hitch (type hook)	861 7225 00 <sup>(1)</sup>	Attelage type crochet
Hitch (tongue type)	861 7386 00	Attelage type languette
Hourmeter	861 7482 00	Compteur horaire
Luggage rack (S-2000)	861 7473 00	Porte-bagages (S-2000)
Passenger footrest ass. kit	861 7583 00	Ens. d'appui-pieds pour passager
Ski assembly (plastic) (black)	860 5005 00	Ens. ski (plastique) (noir)
Ski assembly (plastic) (pink)	860 5006 00	Ens. ski (plastique) (rose)
Ski assembly (plastic) (red)	860 5007 00	Ens. ski (plastique) (rouge)
Ski assembly (plastic) (violet)	860 5008 00	Ens. ski (plastique) (violet)
Ski assembly (plastic) (yellow)	860 5009 00	Ens. ski (plastique) (jaune)
Ski liner (plastic) (black)	572 0783 00	Garniture de ski (noir)
Ski liner (plastic) (red)	572 0743 00	Garniture de ski (rouge)
Ski liner (plastic) (narrow) (black)	572 0956 00	Garniture de ski étroite (noir)
Ski liner (plastic) (narrow) (red)	572 0957 00	Garniture de ski étroite (rouge)
Ski sole (narrow) (black)	572 0904 00 <sup>(2)</sup>	Semelle de ski étroite (noire)
Ski sole (narrow) (pink)	572 0905 00 <sup>(2)</sup>	Semelle de ski étroite (rose)
Ski sole (narrow) (red)	572 0906 00 <sup>(2)</sup>	Semelle de ski étroite (rouge)
Ski sole (narrow) (yellow)	572 0908 00 <sup>(2)</sup>	Semelle de ski étroite (jaune)
Ski sole (narrow) (violet)	572 0907 00 <sup>(2)</sup>	Semelle de ski étroite (violet)
Skid plate (black)	861 7497 00	Plaque protectrice (noir)
Skid plate (pink)	861 7589 00	Plaque protectrice (rose)
Skid plate (red)	861 7534 00	Plaque protectrice (rouge)
Skid plate (violet)	861 7590 00	Plaque protectrice (violet)
Skid plate (yellow)	861 7498 00	Plaque protectrice (jaune)
Slider shoe SC-10 (black)	560 3149 00	Glissière SC-10 (noire)
Slider shoe SC-10 (pink)	560 1028 00	Glissière SC-10 (rose)

**Note:** (1) Tongue type hitch required / Attelage type languette requis

**Note:** (2) Bridge kit required (P/N 860 6005 00) / Ens. d'attaches requis (N/P 860 6005 00)



OPTIONS 97



Slider shoe SC-10 (red)	560 1030 00	Glissière SC-10 (rouge)
Slider shoe SC-10 (violet)	560 1029 00	Glissière SC-10 (violet)
Slider shoe SC-10 (yellow)	560 1031 00	Glissière SC-10 (jaune)
Tachometer	861 7463 00	Compte-tours
Tunnel protector kit	861 7492 00	Protecteur châssis
Windshield (low)	414 8873 00	Pare-brise bas



OPTIONS 97



# TOURING LE

Models / Modèles 1112, 1113

Backrest (Touring) (adj kit)	861 7553 00	Dossier ajust (Tour) (ens. ajust)
Carbide ski runner (5)	505 0663 20	Lisse au carbure (5)
Forward/reverse transmission	860 4232 00	Transmission marche arrière
Fuel gauge (electric)	861 5036 00	Ind. de carburant électrique
High altitude kit	861 7576 00	Ensemble haute altitude
Hitch (type hook)	861 7225 00 <sup>(1)</sup>	Attelage type crochet
Hitch (tongue type)	861 7386 00	Attelage type languette
Hourmeter	861 7482 00	Compteur horaire
Luggage rack (S-2000)	861 7473 00	Porte-bagages (S-2000)
Mirror	861 7493 00	Rétroviseur
Passenger footrest ass. kit	861 7583 00	Ens. d'appui-pieds pour passager
Ski assembly (plastic) (black)	860 5005 00	Ens. ski (plastique) (noir)
Ski assembly (plastic) (pink)	860 5006 00	Ens. ski (plastique) (rose)
Ski assembly (plastic) (red)	860 5007 00	Ens. ski (plastique) (rouge)
Ski assembly (plastic) (violet)	860 5008 00	Ens. ski (plastique) (violet)
Ski assembly (plastic) (yellow)	860 5009 00	Ens. ski (plastique) (jaune)
Ski liner (plastic) (black)	572 0783 00	Garniture de ski (noir)
Ski liner (plastic) (red)	572 0743 00	Garniture de ski (rouge)
Ski liner (plastic) (narrow) (black)	572 0956 00	Garniture de ski étroite (noir)
Ski liner (plastic) (narrow) (red)	572 0957 00	Garniture de ski étroite (rouge)
Ski sole (narrow) (black)	572 0904 00 <sup>(2)</sup>	Semelle de ski étroite (noire)
Ski sole (narrow) (pink)	572 0905 00 <sup>(2)</sup>	Semelle de ski étroite (rose)
Ski sole (narrow) (red)	572 0906 00 <sup>(2)</sup>	Semelle de ski étroite (rouge)
Ski sole (narrow) (yellow)	572 0908 00 <sup>(2)</sup>	Semelle de ski étroite (jaune)
Ski sole (narrow) (violet)	572 0907 00 <sup>(2)</sup>	Semelle de ski étroite (violet)
Skid plate (black)	861 7497 00	Plaque protectrice (noir)
Skid plate (pink)	861 7589 00	Plaque protectrice (rose)
Skid plate (red)	861 7534 00	Plaque protectrice (rouge)
Skid plate (violet)	861 7590 00	Plaque protectrice (violet)

**Note:** (1) Tongue type hitch required / Attelage type languette requis

**Note:** (2) Bridge kit required (P/N 860 6005 00) / Ens. d'attaches requis (N/P 860 6005 00)



OPTIONS 97

Skid plate (yellow)	861 7498 00	Plaque protectrice (jaune)
Slider shoe SC-10 (black)	560 3149 00	Glissière SC-10 (noire)
Slider shoe SC-10 (pink)	560 1028 00	Glissière SC-10 (rose)
Slider shoe SC-10 (red)	560 1030 00	Glissière SC-10 (rouge)
Slider shoe SC-10 (violet)	560 1029 00	Glissière SC-10 (violet)
Slider shoe SC-10 (yellow)	560 1031 00	Glissière SC-10 (jaune)
Tachometer	861 7463 00	Compte-tours
Tunnel protector kit	861 7492 00	Protecteur châssis
Windshield (low)	414 8873 00	Pare-brise bas



OPTIONS 97



# TOURING E

Model / Modèle 1115

Backrest (adjustable)	861 7587 00	Dossier ajustable
Backrest (Touring)	861 7552 00	Dossier (Touring)
Backrest (Touring) (adj kit)	861 7553 00	Dossier ajust (Tour) (ens. ajust)
Carbide ski runner (5)	505 0663 20	Lisse au carbure (5)
Forward/reverse transmission	860 4232 00	Transmission marche arrière
Fuel gauge (electric)	861 5036 00	Ind. de carburant électrique
High altitude kit	861 7577 00	Ensemble haute altitude
Hitch (type hook)	861 7225 00 <sup>(1)</sup>	Attelage type crochet
Hitch (tongue type)	861 7546 00	Attelage type languette
Hourmeter	861 7482 00	Compteur horaire
Luggage rack (opt. backrest)	414 7182 00	Porte-bagages pour dossier opt.
Mirror	861 7493 00	Rétroviseur
Ski assembly (plastic) (black)	860 5005 00	Ens. ski (plastique) (noir)
Ski assembly (plastic) (pink)	860 5006 00	Ens. ski (plastique) (rose)
Ski assembly (plastic) (red)	860 5007 00	Ens. ski (plastique) (rouge)
Ski assembly (plastic) (violet)	860 5008 00	Ens. ski (plastique) (violet)
Ski assembly (plastic) (yellow)	860 5009 00	Ens. ski (plastique) (jaune)
Ski liner (plastic) (black)	572 0783 00	Garniture de ski (noir)
Ski liner (plastic) (red)	572 0743 00	Garniture de ski (rouge)
Ski liner (plastic) (narrow) (black)	572 0956 00	Garniture de ski étroite (noir)
Ski liner (plastic) (narrow) (red)	572 0957 00	Garniture de ski étroite (rouge)
Ski sole (narrow) (black)	572 0904 00 <sup>(2)</sup>	Semelle de ski étroite (noire)
Ski sole (narrow) (pink)	572 0905 00 <sup>(2)</sup>	Semelle de ski étroite (rose)
Ski sole (narrow) (red)	572 0906 00 <sup>(2)</sup>	Semelle de ski étroite (rouge)
Ski sole (narrow) (yellow)	572 0908 00 <sup>(2)</sup>	Semelle de ski étroite (jaune)
Ski sole (narrow) (violet)	572 0907 00 <sup>(2)</sup>	Semelle de ski étroite (violet)
Skid plate (black)	861 7497 00	Plaque protectrice (noir)
Skid plate (pink)	861 7589 00	Plaque protectrice (rose)
Skid plate (red)	861 7534 00	Plaque protectrice (rouge)

**Note:** (1) Tongue type hitch required / Attelage type languette requis

**Note:** (2) Bridge kit required (P/N 860 6005 00) / Ens. d'attaches requis (N/P 860 6005 00)



OPTIONS 97

Skid plate (violet)	861 7590 00	Plaque protectrice (violet)
Skid plate (yellow)	861 7498 00	Plaque protectrice (jaune)
Slider shoe SC-10 (black)	560 3149 00	Glissière SC-10 (noire)
Slider shoe SC-10 (pink)	560 1028 00	Glissière SC-10 (rose)
Slider shoe SC-10 (red)	560 1030 00	Glissière SC-10 (rouge)
Slider shoe SC-10 (violet)	560 1029 00	Glissière SC-10 (violet)
Slider shoe SC-10 (yellow)	560 1031 00	Glissière SC-10 (jaune)
Tachometer	861 7466 00	Compte-tours
Tunnel protector kit	861 7492 00	Protecteur châssis
Windshield (low)	414 8873 00	Pare-brise bas



OPTIONS 97

# TOURING E LT

## Model / Modèle 1116

Backrest (Touring) (adj kit)	861 7553 00	Dossier ajust (Tour) (ens. ajust)
Carbide ski runner (5)	505 0663 20	Lisse au carbure (5)
Forward/reverse transmission	860 4232 00	Transmission marche arrière
Fuel gauge (electric)	861 5036 00	Ind. de carburant électrique
High altitude kit	861 7577 00	Ensemble haute altitude
Hitch (type hook)	861 7225 00 <sup>(1)</sup>	Attelage type crochet
Hitch (tongue type)	861 7386 00	Attelage type languette
Hourmeter	861 7482 00	Compteur horaire
Luggage rack (S-2000)	861 7473 00	Porte-bagages (S-2000)
Mirror	861 7493 00	Rétroviseur
Passenger footrest ass. kit	861 7583 00	Ens. d'appui pieds pour passager
Ski assembly (plastic) (black)	860 5005 00	Ens. ski (plastique) (noir)
Ski assembly (plastic) (pink)	860 5006 00	Ens. ski (plastique) (rose)
Ski assembly (plastic) (red)	860 5007 00	Ens. ski (plastique) (rouge)
Ski assembly (plastic) (violet)	860 5008 00	Ens. ski (plastique) (violet)
Ski assembly (plastic) (yellow)	860 5009 00	Ens. ski (plastique) (jaune)
Ski liner (plastic) (black)	572 0783 00	Garniture de ski (noir)
Ski liner (plastic) (red)	572 0743 00	Garniture de ski (rouge)
Ski liner (plastic) (narrow) (black)	572 0956 00	Garniture de ski étroite (noir)
Ski liner (plastic) (narrow) (red)	572 0957 00	Garniture de ski étroite (rouge)
Ski sole (narrow) (black)	572 0904 00 <sup>(2)</sup>	Semelle de ski étroite (noire)
Ski sole (narrow) (pink)	572 0905 00 <sup>(2)</sup>	Semelle de ski étroite (rose)
Ski sole (narrow) (red)	572 0906 00 <sup>(2)</sup>	Semelle de ski étroite (rouge)
Ski sole (narrow) (yellow)	572 0908 00 <sup>(2)</sup>	Semelle de ski étroite (jaune)
Ski sole (narrow) (violet)	572 0907 00 <sup>(2)</sup>	Semelle de ski étroite (violet)
Skid plate (black)	861 7497 00	Plaque protectrice (noir)
Skid plate (pink)	861 7589 00	Plaque protectrice (rose)
Skid plate (red)	861 7534 00	Plaque protectrice (rouge)
Skid plate (violet)	861 7590 00	Plaque protectrice (violet)

**Note:** (1) Tongue type hitch required / Attelage type languette requis

**Note:** (2) Bridge kit required (P/N 860 6005 00) / Ens. d'attaches requis (N/P 860 6005 00)



OPTIONS 97

Skid plate (yellow)	861 7498 00	Plaque protectrice (jaune)
Slider shoe SC-10 (black)	560 3149 00	Glissière SC-10 (noire)
Slider shoe SC-10 (pink)	560 1028 00	Glissière SC-10 (rose)
Slider shoe SC-10 (red)	560 1030 00	Glissière SC-10 (rouge)
Slider shoe SC-10 (violet)	560 1029 00	Glissière SC-10 (violet)
Slider shoe SC-10 (yellow)	560 1031 00	Glissière SC-10 (jaune)
Tachometer	861 7466 00	Compte-tours
Tunnel protector kit	861 7492 00	Protecteur châssis
Windshield (low)	414 8873 00	Pare-brise bas



OPTIONS 97



# SKANDIC 500

Models / Modèles 1117, 1118

Backrest (Touring) (adj kit)	861 7553 00	Dossier ajust (Tour) (ens. ajust)
Carbide ski runner (5)	505 0663 20	Lisse au carbure (5)
Electric starter	861 7555 00	Démarrreur électrique
Fuel gauge (electric)	861 5036 00	Ind. de carburant électrique
High altitude kit	861 7578 00	Ensemble haute altitude
Hitch (type hook)	861 7225 00	Attelage type crochet
Hourmeter	861 7482 00	Compteur horaire
Mirror	861 7493 00	Rétroviseur
Passenger footrest ass. kit	861 7583 00	Ens. d'appui pieds pour passager
Ski liner (plastic) (black)	572 0783 00	Garniture de ski (noir)
Ski liner (plastic) (red)	572 0743 00	Garniture de ski (rouge)
Ski liner (plastic) (narrow) (black)	572 0956 00	Garniture de ski étroite (noir)
Ski liner (plastic) (narrow) (red)	572 0957 00	Garniture de ski étroite (rouge)
Skid plate (black)	861 7497 00	Plaque protectrice (noir)
Skid plate (pink)	861 7589 00	Plaque protectrice (rose)
Skid plate (red)	861 7534 00	Plaque protectrice (rouge)
Skid plate (violet)	861 7590 00	Plaque protectrice (violet)
Skid plate (yellow)	861 7498 00	Plaque protectrice (jaune)
Slider shoe SC-10 (black)	560 3149 00	Glissière SC-10 (noire)
Slider shoe SC-10 (pink)	560 1028 00	Glissière SC-10 (rose)
Slider shoe SC-10 (red)	560 1030 00	Glissière SC-10 (rouge)
Slider shoe SC-10 (violet)	560 1029 00	Glissière SC-10 (violet)
Slider shoe SC-10 (yellow)	560 1031 00	Glissière SC-10 (jaune)
Tachometer	861 7463 00	Compte-tours
Tunnel protector kit	861 7492 00	Protecteur châssis
Windshield (low)	414 8873 00	Pare-brise bas



OPTIONS 97





# SKANDIC 380

Models / Modèles 1120, 1121

Backrest (Touring) (adj kit)	861 7553 00	Dossier ajust (Tour) (ens. ajust)
Carbide ski runner (5)	505 0663 20	Lisse au carbure (5)
Electric starter	861 7556 00	Démarrreur électrique
Fuel gauge (electric)	861 5036 00	Ind. de carburant électrique
High altitude kit	861 7579 00	Ensemble haute altitude
Hitch (type hook)	861 7225 00	Attelage type crochet
Hourmeter	861 7482 00	Compteur horaire
Mirror	861 7493 00	Rétroviseur
Passenger footrest ass. kit	861 7583 00	Ens. d'appui pieds pour passager
Ski liner (plastic) (black)	572 0783 00	Garniture de ski (noir)
Ski liner (plastic) (red)	572 0743 00	Garniture de ski (rouge)
Ski liner (plastic) (narrow) (black)	572 0956 00	Garniture de ski étroite (noir)
Ski liner (plastic) (narrow) (red)	572 0957 00	Garniture de ski étroite (rouge)
Skid plate (black)	861 7497 00	Plaque protectrice (noir)
Skid plate (pink)	861 7589 00	Plaque protectrice (rose)
Skid plate (red)	861 7534 00	Plaque protectrice (rouge)
Skid plate (violet)	861 7590 00	Plaque protectrice (violet)
Skid plate (yellow)	861 7498 00	Plaque protectrice (jaune)
Slider shoe SC-10 (black)	560 3149 00	Glissière SC-10 (noire)
Slider shoe SC-10 (pink)	560 1028 00	Glissière SC-10 (rose)
Slider shoe SC-10 (red)	560 1030 00	Glissière SC-10 (rouge)
Slider shoe SC-10 (violet)	560 1029 00	Glissière SC-10 (violet)
Slider shoe SC-10 (yellow)	560 1031 00	Glissière SC-10 (jaune)
Tachometer	861 7463 00	Compte-tours
Tunnel protector kit	861 7492 00	Protecteur châssis
Windshield (low)	414 8873 00	Pare-brise bas



OPTIONS 97



# TUNDRA II LT

Model / Modèle 3266

Backrest (ajustable)	861 7587 00	Dossier ajustable
Carbide ski runner (8)	505 0648 20	Lisse au carbure (8)
Heated grips (driver)	861 5025 00	Poignées chauffantes
Heated throttle lever	861 7530 00	Manette accélér. chauffantes
High altitude kit	861 7538 00	Ensemble haute altitude
Hitch (type hook)	861 7225 00 <sup>(1)</sup>	Attelage type crochet
Hourmeter	861 7482 00	Compteur horaire
Speedometer with trip meter	861 7411 00	Ind. de vit. et compteur journalier
Windshield (high)	414 6478 00	Pare-brise haut



OPTIONS 97

**Note:** (1) Tongue type hitch required / Attelage type languette requis



# SKANDIC WIDE TRACK

Models / Modèles 1134, 1135

Fuel gauge (electric)	861 5034 00	Ind de carburant électrique
High altitude kit	861 7580 00	Ensemble haute altitude
Hitch (type hook)	M545228	Attelage type crochet
Hourmeter	861 7482 00	Compteur horaire
Mirrors	861 7493 00	Rétroviseur
Mountain special kit	M5240321	Ensemble "Mountain Special"
Ski liner (plastic) (black)	M5340865	Garn. ski (plastique) (noire)
Tachometer	861 7591 00	Compte-tours



OPTIONS 97



# SKANDIC SUPER WIDE TRACK

Models / Modèles 1136, 1137

Backrest	M5241698	Dossier
Fuel gauge (electric)	861 5034 00	Ind de carburant électrique
High altitude kit	861 7581 00	Ensemble haute altitude
Hitch (type hook)	M545228	Attelage type crochet
Hourmeter	861 7482 00	Compteur horaire
Mirrors	861 7493 00	Rétroiseur
Mountain special kit	M5240321	Ensemble "Mountain Special"
Tachometer	861 7591 00	Compte-tours



OPTIONS 97



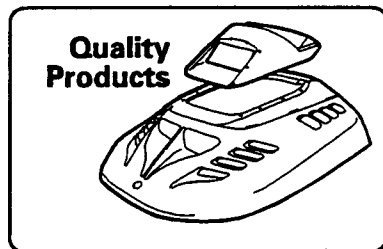
# SKANDIC WIDE TRACK LC

Models / Modèles 1132, 1133

Fuel gauge (electric)	861 5034 00	Ind de carburant électrique
High altitude kit	861 7600 00	Ens. haute altitude
Hitch (type hook)	M545228	Attelage type crochet
Hourmeter	861 7482 00	Compteur horaire
Mirrors	861 7493 00	Rétroiseur
Mountain special kit	M5240321	Ensemble "Mountain Special"
Tachometer	861 7591 00	Compte-tours



OPTIONS 97



**P-CL-96-19**

August 19, 1996

**MEMO TO: ALL SKI-DOO SNOWMOBILE DEALERS & DISTRIBUTORS**

**ATTENTION: PARTS MANAGER**

**SUBJECT: TWO PASSENGERS SEAT IN OPTION**

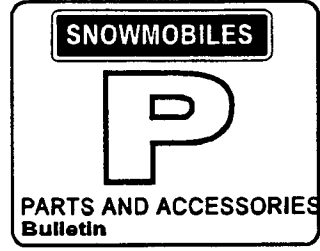
Please take note that when you set up a two-passenger seat, on the following vehicles, it is possible to order heavier rear suspension spring . These springs are sold separately.

REAR SPRING SUSPENSION1997	LEFT	CENTER	RIGHT
MACH Z	415 0106 00	415 0576 00	415 0105 00
MACH Z LT	415 0106 00	415 0707 00	415 0105 00
MACH 1	415 0106 00	415 0576 00	415 0105 00
FORMULA III	415 0106 00	415 0576 00	415 0105 00
FORMULA III LT	415 0106 00	415 0707 00	415 0105 00
FORMULA Z	414 9443 00	414 7713 00	414 9442 00

A complete list of springs is available in your Ski-Doo specifications booklet.

You can place an order through your respective order desk.

**Bombardier Inc.  
Marketing - Parts and Accessories**



**P-CL-96-20**

August 30, 1996

**MEMO TO: ALL U.S. SKI-DOO SNOWMOBILE DEALERS**

**ATTENTION: PARTS MANAGER**

**SUBJECT: SKID PLATE - N/P 572 0785 01**

We recently noticed that there has been a misprint in the May 6th price list, price diskette included.

The May price list and diskette reads the following:

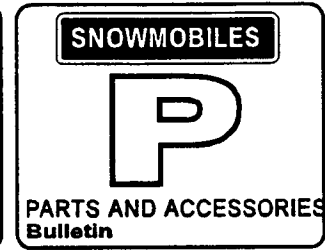
		<b>Item no.</b>
572 0785 01	Protec coque - Plate skid	99000056

**The corrected version should read:**

572 0785 01	Protec. coque - Plate skid	34000015
-------------	----------------------------	----------

Please take note of this corection and rectify your price list accordingly. We are sorry for any inconvenience this situation may have caused.

**Bombardier Inc.  
Marketing - Parts and Accessories**



**P-CL-96-20**

August 30, 1996

**MEMO TO: ALL CANADIAN SKI-DOO SNOWMOBILE DEALERS**

**ATTENTION: PARTS MANAGER**

**SUBJECT: SKID PLATE - N/P 572 0785 01**

We recently noticed that there has been a misprint in the May 6th price list, price diskette included.

The May price list and diskette reads the following:

		<b>Item no.</b>
572 0785 01	Protec coque - Plate skid	93000008

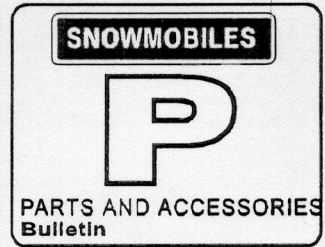
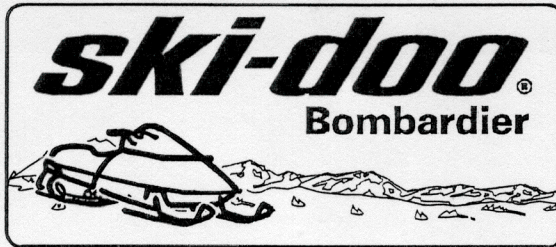
**The corrected version should read:**

572 0785 01	Protec. coque - Plate skid	38000026
-------------	----------------------------	----------

Please take note of this corection and rectify your price list accordingly. We are sorry for any inconvenience this situation may have caused.

Bombardier Inc.  
Marketing - Parts and Accessories





P-CL -96-21

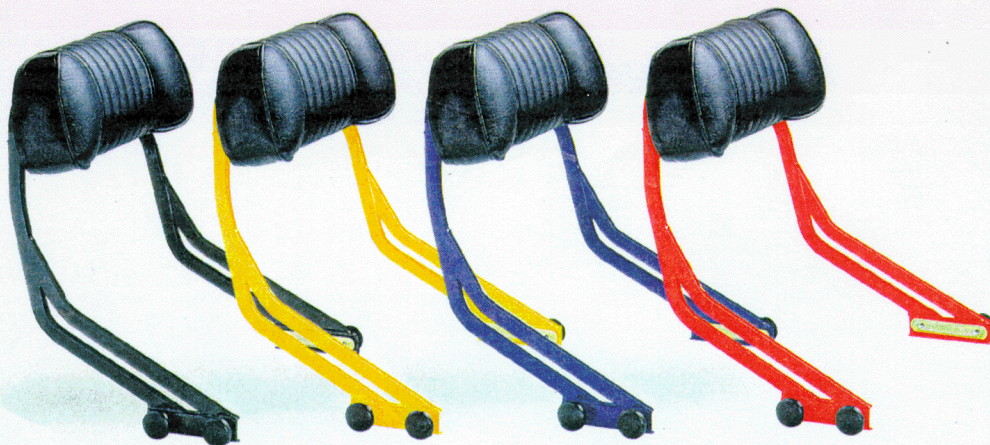
September 6, 1996

MEMO TO: ALL U.S. SKI-DOO SNOWMOBILE DEALERS

ATTENTION: PARTS MANAGER

**SUBJECT: SPECIAL BACKRESTS - LIMITED TIME OFFER**

Following many requests from our dealers, we are presently offering custom painted versions of our adjustable backrest in various colors. We have included a colored picture for your convenience:



COLOR	CODE	PART NUMBER	ITEM NUMBER	SUGGESTED RETAIL
Black	B-160	861 7587 00	89000031	
Yellow	B-152	861 7587 01	25000541	
Purple	B-175	8617587 02	25000541	
Viper Red	B-176	861 7587 03	25000541	

Orders for these custom designed backrests will be accepted until October 15, after this date, **NO** repeat orders will be accepted. The backrests should be shipped mid-November.

Please order early as this is a one time offer only.

You can place an order through your respective order desk.

**Bombardier Inc.**  
**Marketing - parts & accessories**



P-CL -96-21

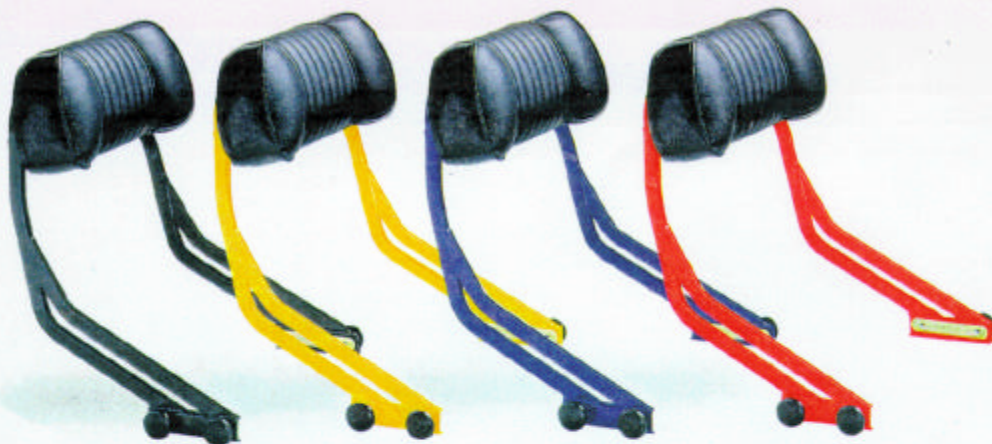
September 6, 1996

MEMO TO ALL CANADIAN SKI-DOO SNOWMOBILE DEALERS

ATTENTION: PARTS MANAGER

**SUBJECT: SPECIAL BACKRESTS - LIMITED TIME OFFER**

Following many requests from our dealers, we are presently offering custom painted versions of our adjustable backrest in various colors. We have included a colored picture



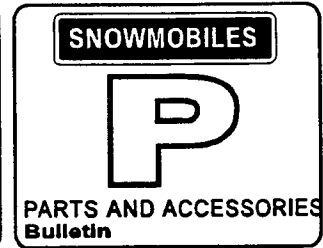
COLOR	CODE	PART NUMBER	ITEM NUMBER	SUGGESTED RETAIL
Black	B-160	861 7587 00	65000061	
Yellow	B-152	861 7587 01	93000871	
Purple	B-175	861 7587 02	93000871	
Viper Red	B-176	861 7587 03	93000871	

Orders for these custom designed backrests will be accepted until October 15, after this date, **NO** repeat orders will be accepted. The backrests should be shipped mid-November.

Please order early as this is a one time offer only.

You can place an order through your respective order desk.

**Bombardier Inc.**  
**Marketing - parts & accessories**



**P-CL-96-22**

September 27, 1996

**MEMO TO: ALL U.S. SKI-DOO SNOWMOBILE DEALERS**

**ATTENTION: PARTS MANAGER**

**SUBJECT: NEW TOOL - CHOKE LEVER NUT TOOL**

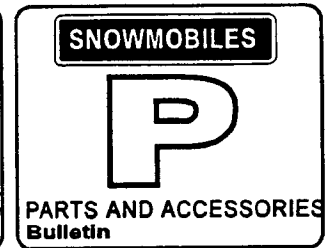
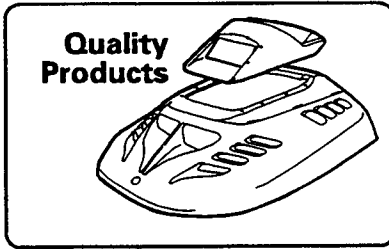
We are pleased to introduce the following new tool:

**Choke lever nut tool P/N 529 0322 00**

**Item No.: 79000051**

This tool has been designed for Bombardier and is optional.

**Bombardier Inc.  
Marketing - Parts and Accessories**



**P-CL-96-22**

September 27, 1996

**MEMO TO: ALL CANADIAN SKI-DOO SNOWMOBILE DEALERS**

**ATTENTION: PARTS MANAGER**

**SUBJECT: NEW TOOL - CHOKE LEVER NUT TOOL**

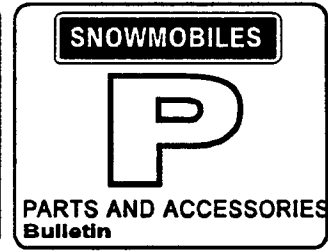
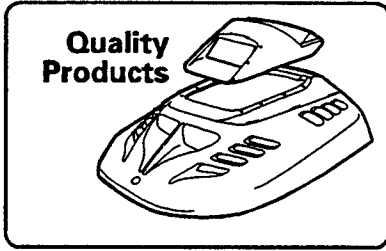
We are pleased to introduce the following new tool:

**Choke lever nut tool                      P/N 529 0322 00**

**Item No.:                                      85000091**

This tool has been designed for Bombardier and is optional.

**Bombardier Inc.  
Marketing - Parts and Accessories**



**P-CL-96-23**

October 22, 1996

**MEMO TO:** ALL U.S. SKI-DOO SNOWMOBILE DEALERS

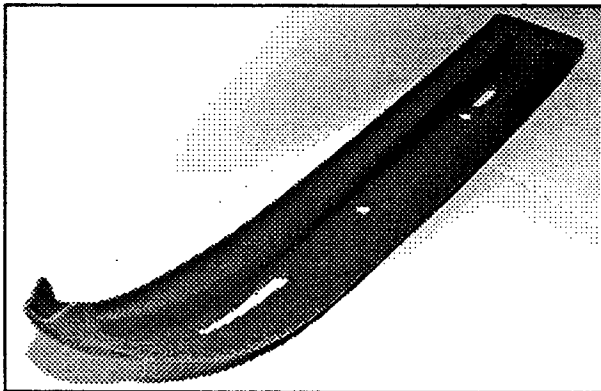
**ATTENTION:** PARTS MANAGER

**SUBJECT: NARROW SKI LINERS**

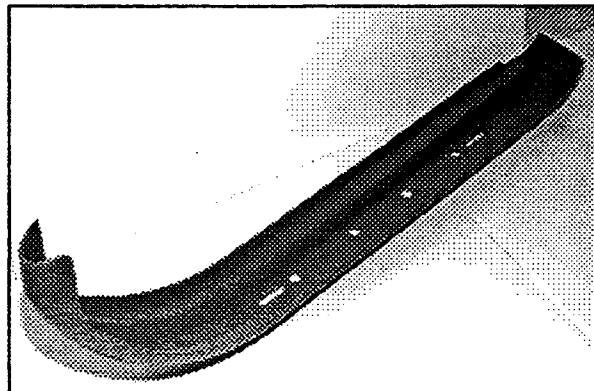
Following requests from many dealers, we now have narrow ski liners. These new ski liners provide a tight fit with the skis and are available in many colors. They also come in the two following sizes:

- 1- S-2000 models applies to: 1997 Formula S / SL / 500 / 583  
(6" x 39") 1997 Skandic 380 / 500  
1997 Touring E / E LT / LE / SLE
  
- 2- MX Z model applies to: 1997 MX Z 440 / 583 / 670  
(4½" x 44") All Formula from 1985 (narrow steel skis)

**PHOTO  
S-2000**



**PHOTO  
MX Z**

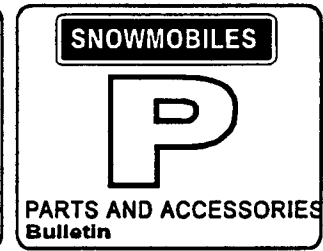


Part no.	Color	Size	Item no	sugg.Retail
572 0956 00	black	6" x 39"	84000002	
572 0957 00	red	6" x 39"	95000042	
572 0958 00	black	4½" x 44"	84000002	
572 0959 00	red	4½" x 44"	95000042	
572 0960 00	yellow	4½" x 44"	95000042	

You can place an order through your respective order desk.

Bombardier Inc.  
Marketing - parts & accessories





P-CL-96-23

October 22, 1996

MEMO TO: ALL CANADIAN SKI-DOO SNOWMOBILE DEALERS

ATTENTION: PARTS MANAGER

**SUBJECT: NARROW SKI LINERS**

Following requests from many dealers, we now have narrow ski liners. These new ski liners provide a tight fit with the skis and are available in many colors. They also come in the two following sizes:

- 1- S-2000 models applies to: 1997 Formula S / SL / 500 / 583  
 (6" x 39") 1997 Skandic 380 / 500  
 1997 Touring E / E LT / LE / SLE
- 2- MX Z model applies to: 1997 MX Z 440 / 583 / 670  
 (4½" x 44") All Formula from 1985 (narrow steel skis)

PHOTO  
S-2000

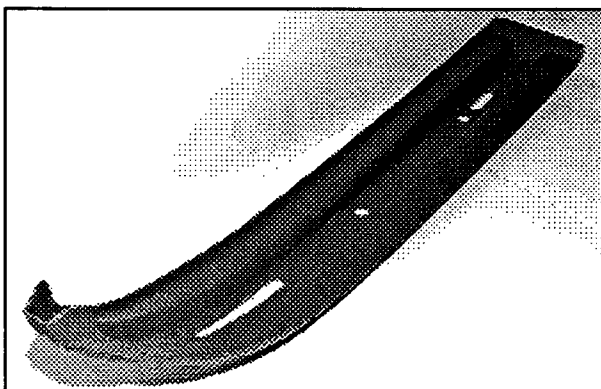
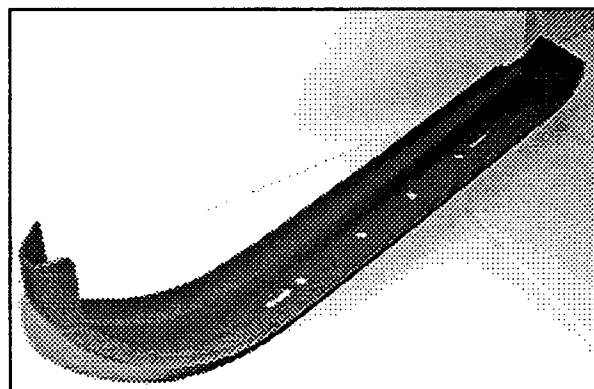


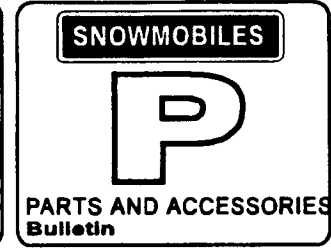
PHOTO  
MX Z



Part no.	Color	Size	Item no	sugg Retail
572 0956 00	black	6" x 39"	59000042	
572 0957 00	red	6" x 39"	59000092	
572 0958 00	black	4½" x 44"	59000042	
572 0959 00	red	4½" x 44"	59000092	
572 0960 00	yellow	4½" x 44"	59000092	

You can place an order through your respective order desk.

Bombardier Inc.  
Marketing - parts & accessories



**P-CL-96-24**

October 3, 1996

**MEMO TO: ALL U.S. DOO SNOWMOBILE DEALERS**

**ATTENTION: PARTS & SERVICE MANAGERS**

**SUBJECT: NEW PLASTIC & VINYL CLEANER - P/N 413 7112 00**

We are pleased to introduce our new plastic & vinyl cleaner available in a convenient spray nozzle bottle.

This product is environmentally friendly and is a great cleaner for the following:

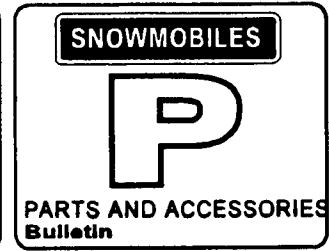
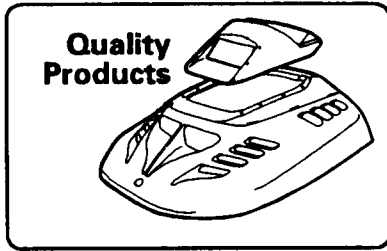
- handles
- seats (including seats with lettering)
- chassis
- hoods
- windshields (if diluted 20 to 1 with water)
- all types of painted surfaces

This new cleaner is sold by the case of 6 x 1 liter bottles.

<b>PART NUMBER</b>	<b>DESCRIPTION</b>	<b>ITEM NO.</b>
413 7112 00	Plastic & vinyl cleaner	83000034

You can place an order through your respective order desk.

Bombardier Inc.  
Marketing - Parts and Accessories



**P-CL-96-24**

October 3, 1996

**MEMO TO: ALL CANADIAN SKI-DOO SNOWMOBILE DEALERS**

**ATTENTION: PARTS & SERVICE MANAGERS**

**SUBJECT: NEW PLASTIC & VINYL CLEANER - P/N 413 7112 00**

We are pleased to introduce our new plastic & vinyl cleaner available in a convenient spray nozzle bottle.

This product is environmentally friendly and is a great cleaner for the following:

- handles
- seats (including seats with lettering)
- chassis
- hoods
- windshields (if diluted 20 to 1 with water)
- all types of painted surfaces

This new cleaner is sold by the case of 6 x 1 liter bottles.

<b>PART NUMBER</b>	<b>DESCRIPTION</b>	<b>ITEM NO.</b>
413 7112 00	Plastic & vinyl cleaner	05000055

You can place an order through your respective order desk.

Bombardier Inc.  
Marketing - Parts and Accessories



**P-CL-96-25**

November 6, 1996

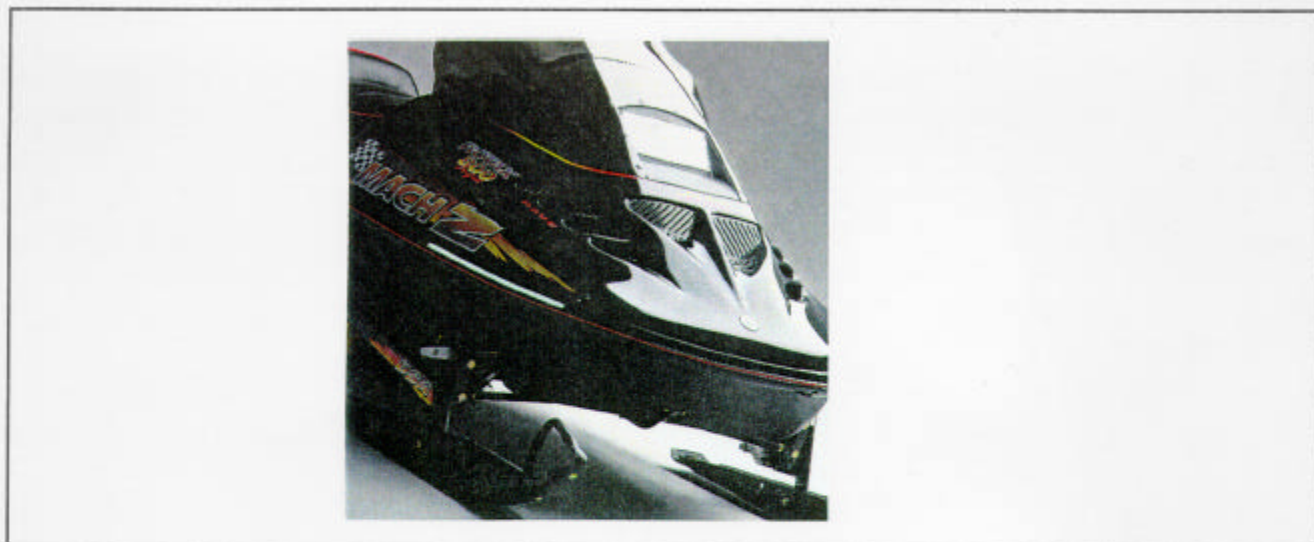
**MEMO TO:** ALL U.S.SKI-DOO SNOWMOBILE DEALERS

**ATTENTION:** PARTS MANAGER

**SUBJECT: DECORATIVE LUMINESCENT LIGHT KIT**

We are introducing in our 1997 season a new accessory called decorative luminescent light set. This new kit includes electro-luminescent lamps and customized power modules. The light strips can be curved to fit the contour of your sled. The self-adhesive backing enables easy installation. They are available in two colors:

<b>Part Number</b>	<b>Color</b>	<b>Item Number</b>	<b>Availability</b>
861 7595 00	Green	57000008	November
861 7596 00	Yellow	57000008	December



You can place an order through your respective order desk.

Bombardier Inc.  
Marketing - parts & accessories



**P-CL-96-25**

November 6, 1996

**MEMO TO:** ALL CANADIAN SKI-DOO SNOWMOBILE DEALERS

**ATTENTION:** PARTS MANAGER

**SUBJECT:** DECORATIVE LUMINESCENT LIGHT KIT

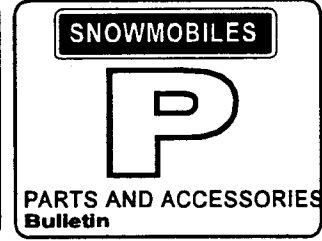
We are introducing in our 1997 season a new accessory called decorative luminescent light set. This new kit includes electro-luminescent lamps and customized power modules. The light strips can be curved to fit the contour of your sled. The self-adhesive backing enables easy installation. They are available in two colors:

<b>Part Number</b>	<b>Color</b>	<b>Item Number</b>	<b>Availability</b>
861 7595 00	Green	02000101	November
861 7596 00	Yellow	02000101	December



You can place an order through your respective order desk.

Bombardier Inc.  
Marketing - parts & accessories



**P-CL-96-26**

November 15, 1996

MEMO TO: ALL U.S. SKI-DOO SNOWMOBILE DEALERS

ATTENTION: PARTS MANAGER

**SUBJECT: REAR SUSPENSION QUICK ADJUSTMENT KIT  
P/N 861 7602 00**

We are proud to offer a rear suspension quick adjustment kit. This optional kit retrofits on the following models:

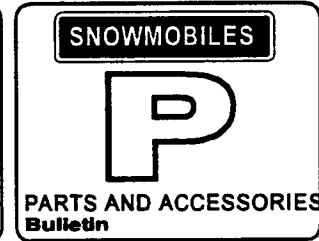
MX Z 440 LC 1997  
MX Z 583 1997  
MX Z 670 1997  
Mach 1 1997  
Mach Z 1997

Mach Z LT 1997  
Formula Z 1997  
Formula III 1997  
Formula 111 LT 1997

Item No.: 040000043

You can place an order through your respective order desk.

Bombardier Inc.  
Marketing - Parts and Accessories



**P-CL-96-26**

November 15, 1996

**MEMO TO: ALL CANADIAN SKI-DOO SNOWMOBILE DEALERS**

**ATTENTION: PARTS MANAGER**

<b>SUBJECT: REAR SUSPENSION QUICK ADJUSTMENT KIT P/N 861 7602 00</b>
--

We are proud to offer a rear suspension quick adjustment kit. This optional kit retrofits on the following models:

MX Z 440 LC 1997  
MX Z 583 1997  
MX Z 670 1997  
Mach 1 1997  
Mach Z 1997

Mach Z LT 1997  
Formula Z 1997  
Formula III 1997  
Formula 111 LT 1997

Item No.: 090000014

You can place an order through your respective order desk.

Bombardier Inc.  
Marketing - Parts and Accessories





**P-CL-96-27**

November 15, 1996

**MEMO TO: ALL SKI-DOO SNOWMOBILE DISTRIBUTORS & DEALERS**

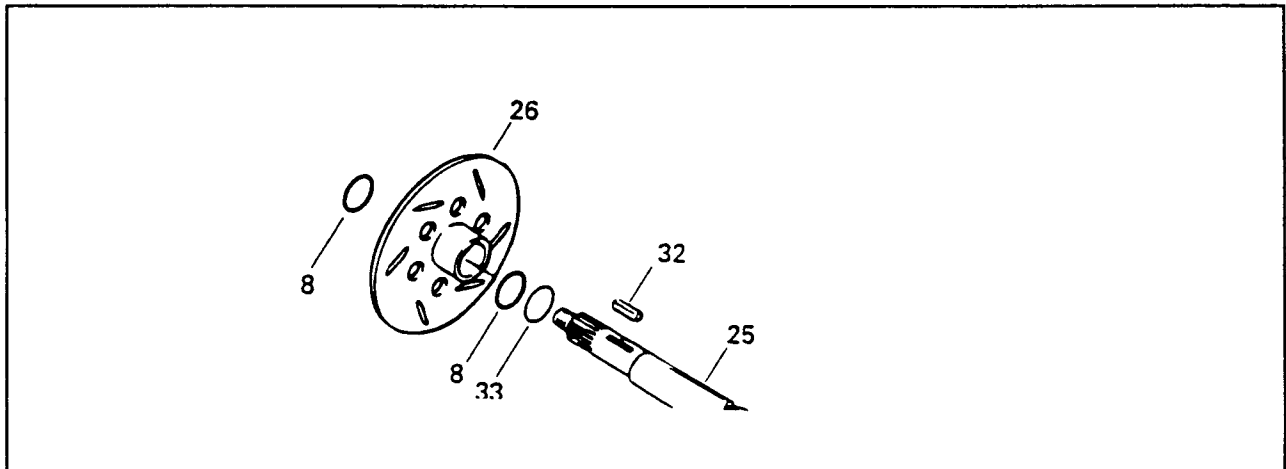
**ATTENTION: PARTS MANAGER**

**SUBJECT: PARTS CATALOG CORRECTIONS**

The following corrections should be made in your parts catalogs.

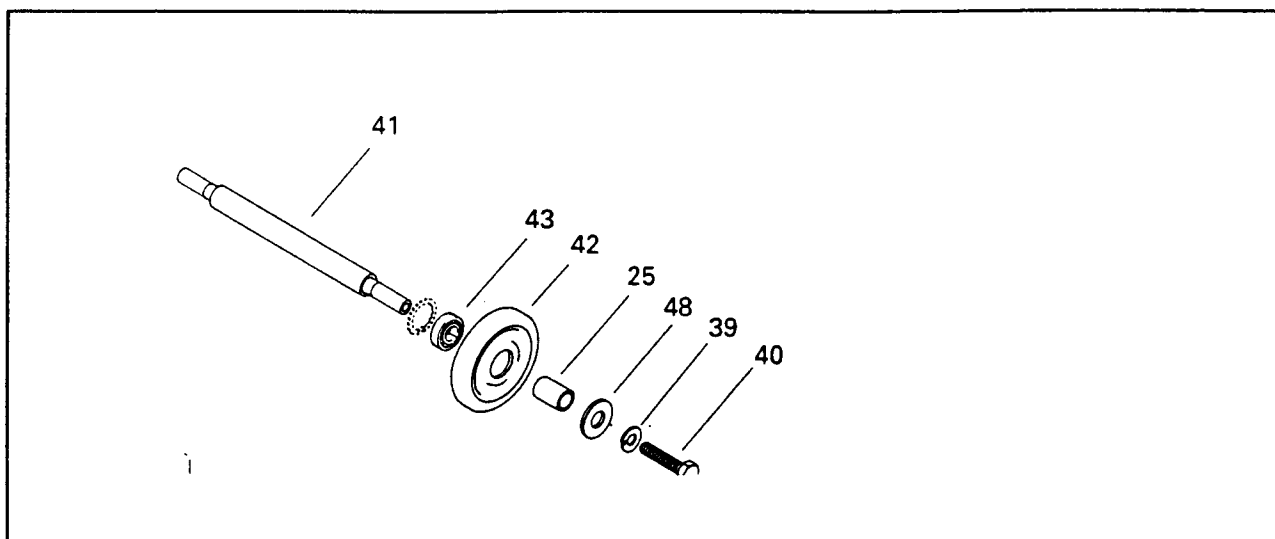
**SKANDIC 380 / 500 1996 - 480 1404 00**

Page C8, please add item 33, P/N 371 9100 00, circlip, applies once on Skandic 380 and Skandic 500. Please add this item on the illustration as shown below:



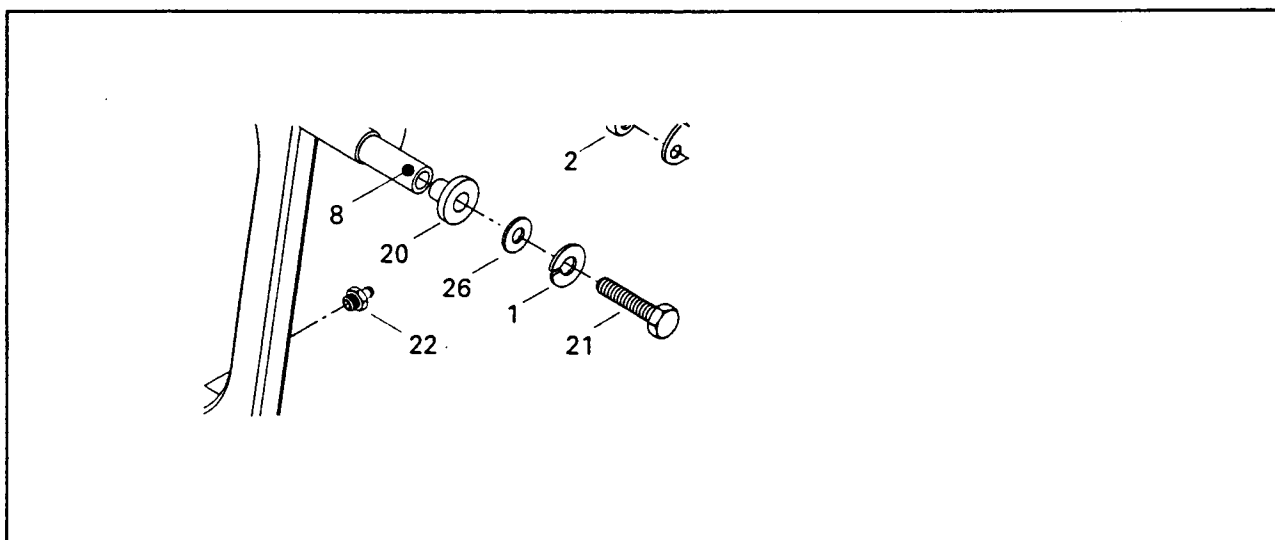
Page D5, please add item 48, P/N 224 0811 71, washer 8 mm, applies twice on Skandic 380 and Skandic 500.

Pages D4-D5, please add item 48 on the illustrations as shown below:

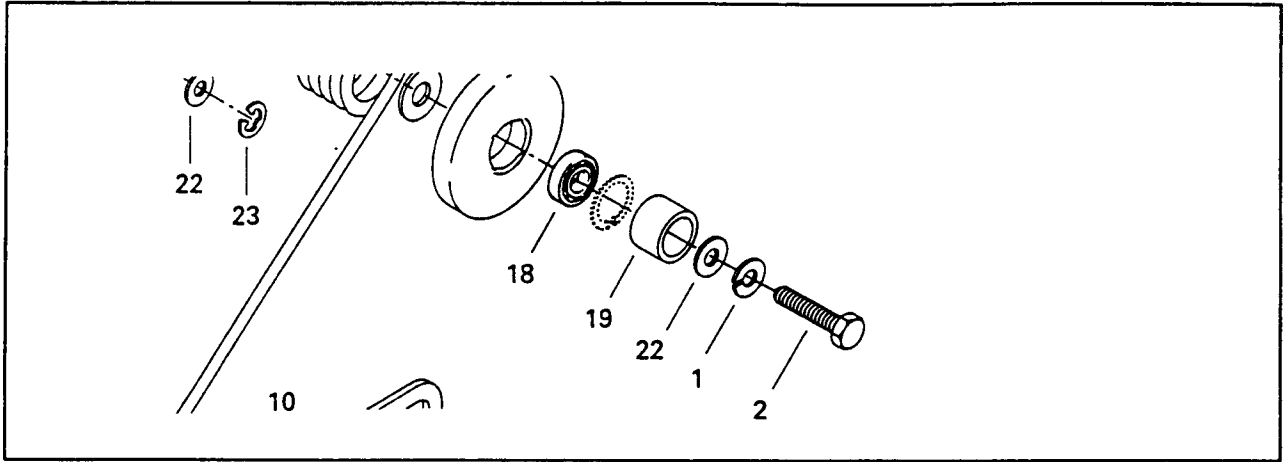


Page D6, please add item 25, P/N 414 9277 00, shock, applies once on Skandic 380 and Skandic 500.

Page D6, please add item 26, P/N 224 0012 11, washer 10 mm, applies twice on Skandic 380 and Skandic 500. Please add this item on the illustration as shown below:



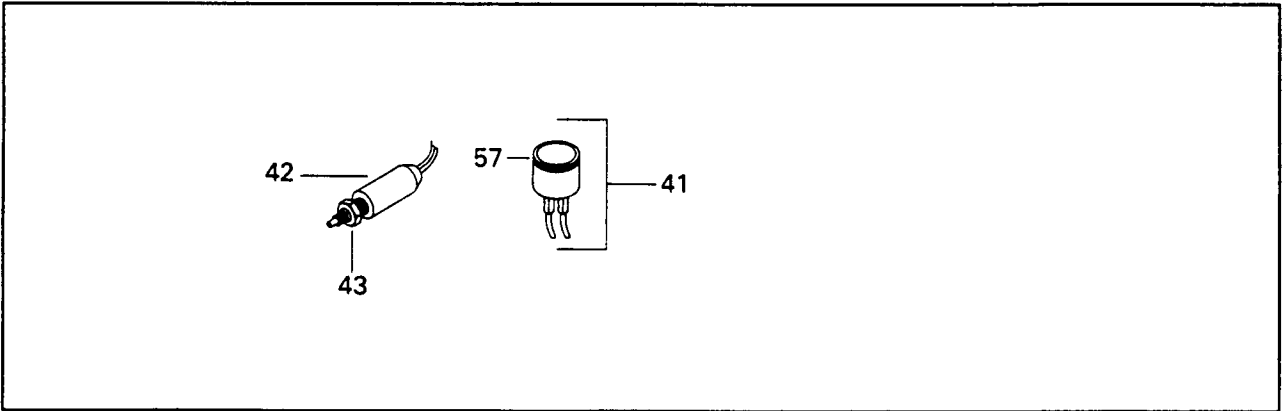
Page D7, item 22, P/N 224 0012 11, flat washer, applies four times on Skandic 380 and Skandic 500. Please add this item on the illustration as shown below:



Page D11, item 34, P/N -xxx-, seat bracket, should read P/N 518 3102 08.

Page E4, item 41, P/N 414 7921 00, back-up alarm, should read back-up alarm (incl. 57).

Page E4, please add item 57, P/N 414 8051 01, plastic nut, applies once on Skandic 380 and Skandic 500. Please add this item on the illustration as shown below:



**SKANDIC WIDE TRACK 1996 - 480 1419 00**

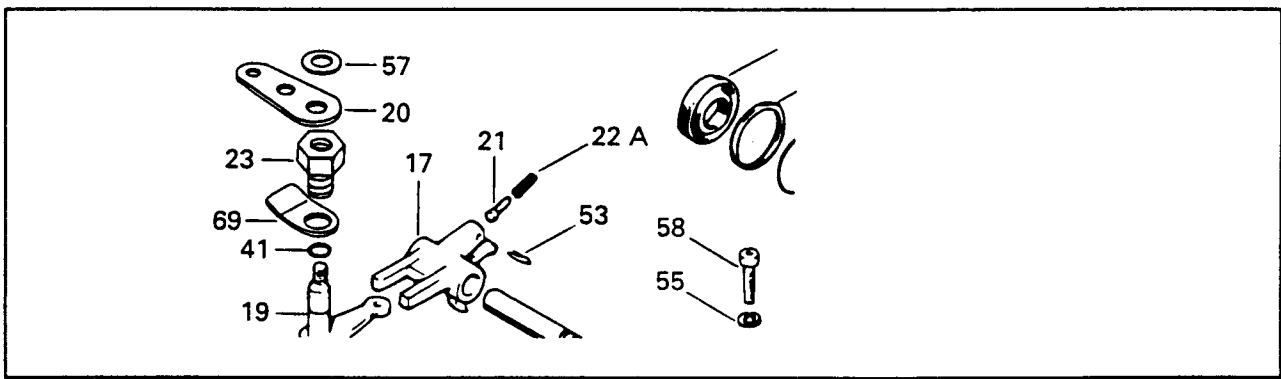
Page B8, item N7, P/N M875156082, sprocket, should read sprocket (30 teeth).

Page B8, item 11, P/N M875146293, sprocket (27 tooth) should read sprocket (29 teeth).

Page B8, item 22, P/N M875128952, spring, applies once on Skandic Wide Track.

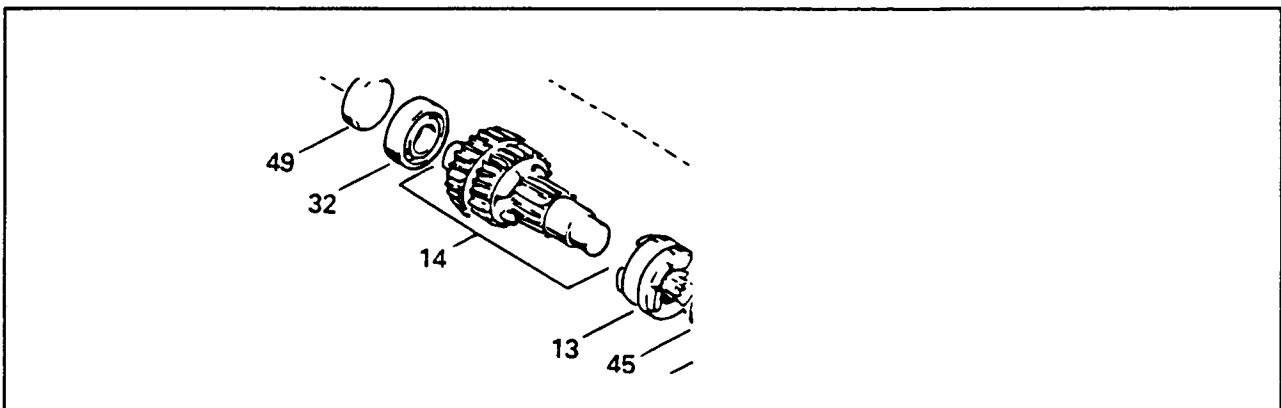
Page B8, please add item 22A, P/N M875147818, spring, applies once on Skandic Wide Track.

Pages B8-B9, please add on the illustrations item 22A as shown below:

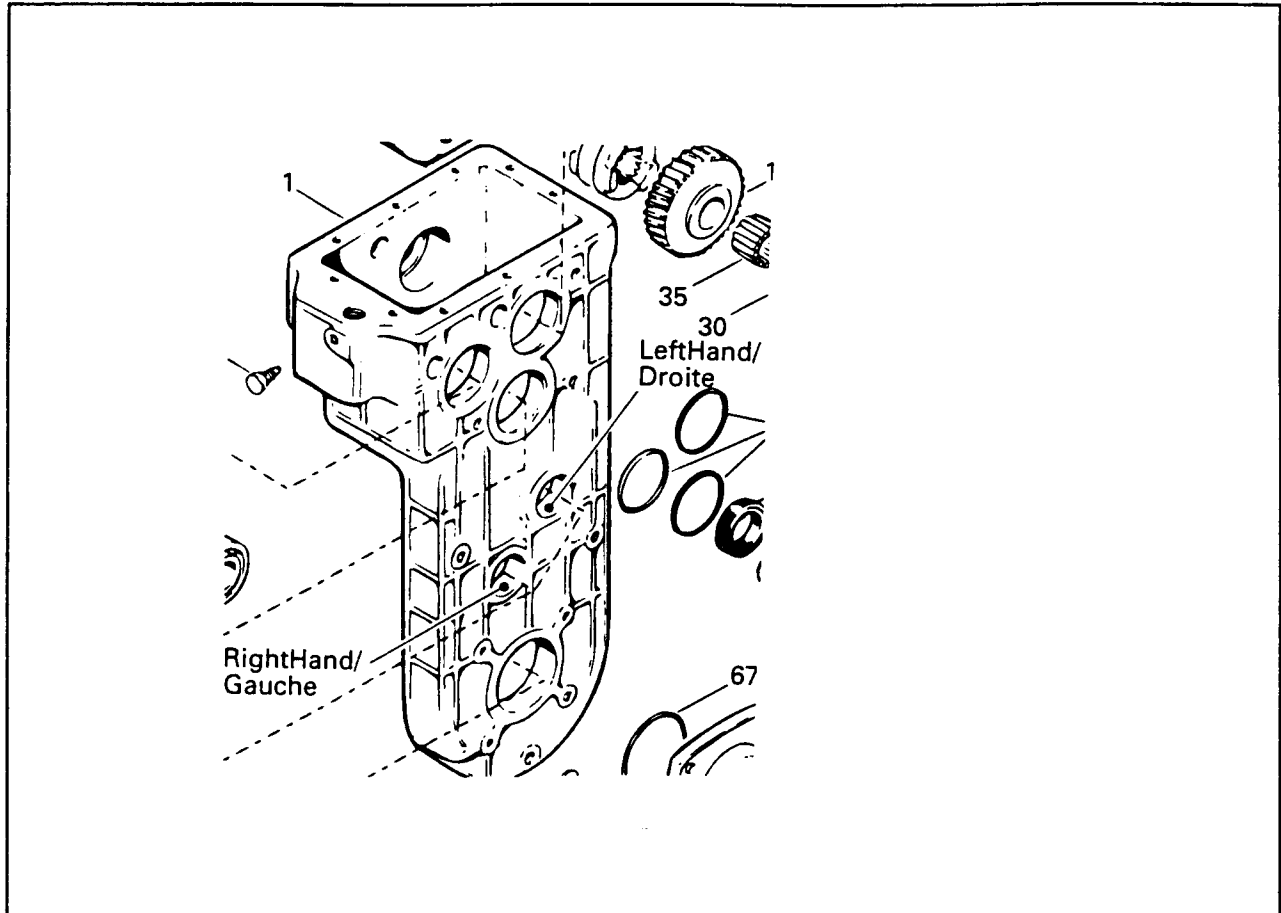


Page B8, item N25, P/N M875152219, gear set L.H., should read P/N M875156106.

Pages B8-B9, item 73, between item 14 and item 45 on the illustrations should read item 13 as shown below:



Pages B8-B9, please add on the illustrations terms R.H. (right) and L.H. (left) enclosed in item 1 as shown below:



Page B9, please delete item N73, P/N M875146948, wheel-clutch

Page B9, please add item 75, P/N M870156080, transmission ass'y, applies once on Skandic Wide Track.

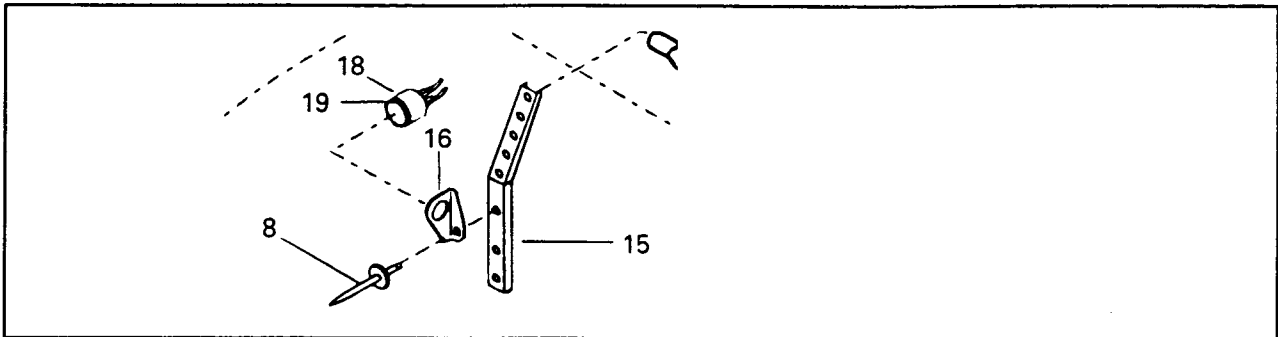
Page B10, item 4, P/N 228 0610 45, nut M6, should read P/N 228 0810 45, nut M8.

Page B10, item 12, P/N M534705, shifter cable, should read P/N M539748.

Page B10, item 18, P/N 414 8051 00, backup alarm, should read item 18⇒19.

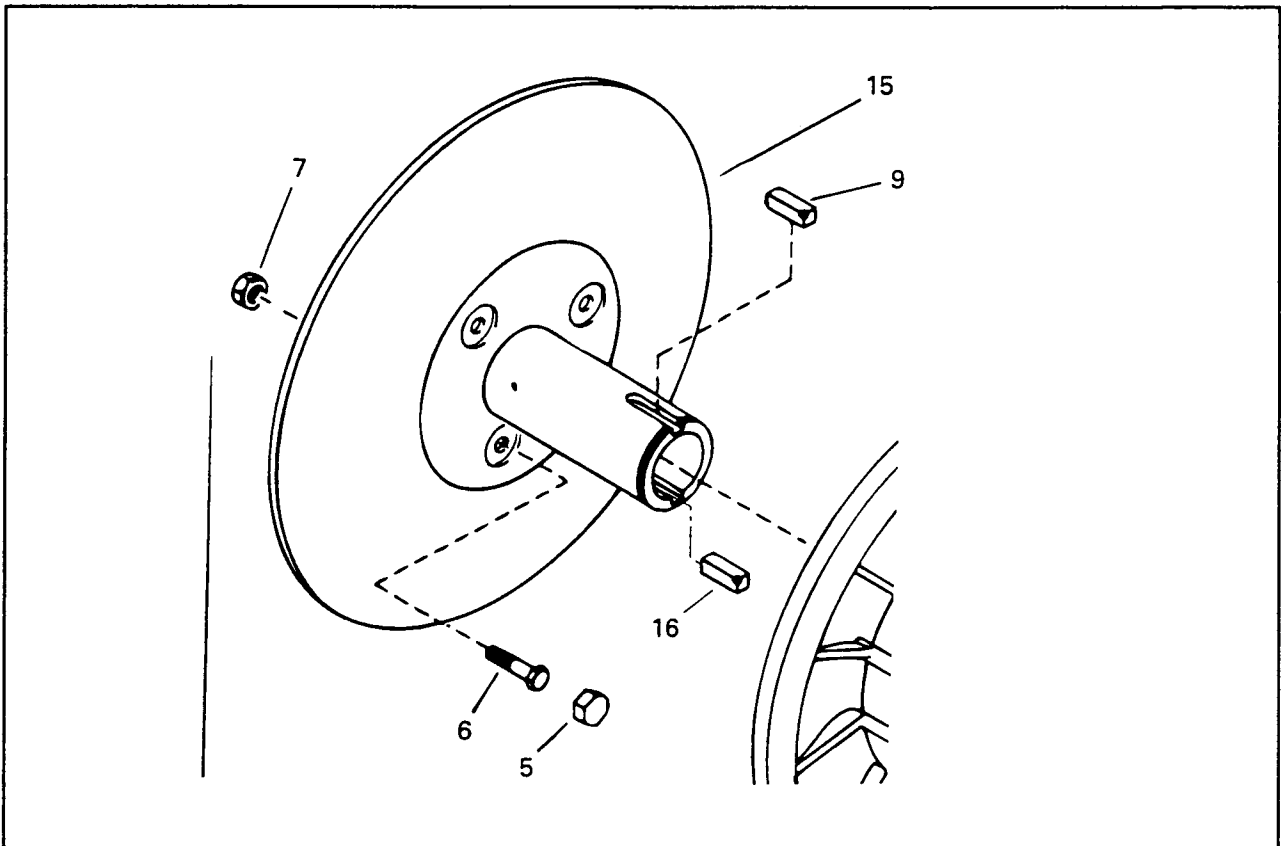
Page B10, item 18A, P/N 414 8051 01, plastic nut, should read item 19

Page B10, please add item 19 on illustration as shown below:

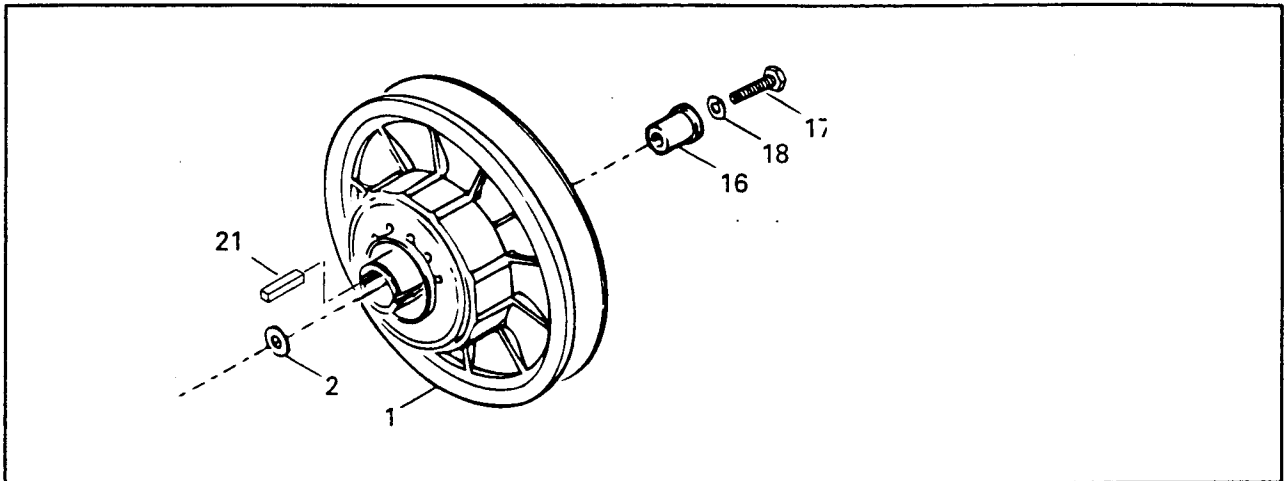


Page B11, item N1, P/N 420 4804 17, inner half ass'y (incl. it 35 & 36) should read P/N 420 4802 17, inner half ass'y.

Page B12, please add item 16, P/N M541802, key Allen, applies once on Skandic Wide Track. Please add this item on the illustration as shown below:

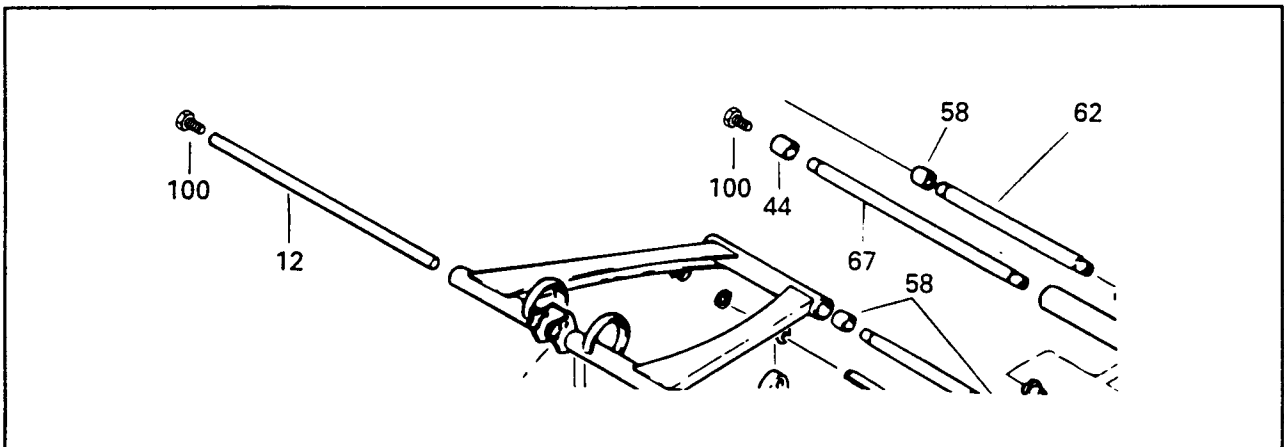


Page C5, please add item N21, P/N M541802, key Allen, applies once on Skandic Wide Track. Please add this item on the illustration as shown below:



Page C8, please add item 100, P/N M40314, screw, applies four times on Skandic Wide Track.

Pages C6-C7-C8, please add on the illustrations item 100, screw, as shown below:



Page C9, item 5, P/N 410 6082 00, rubber stopper, should read P/N 570 2779 00.

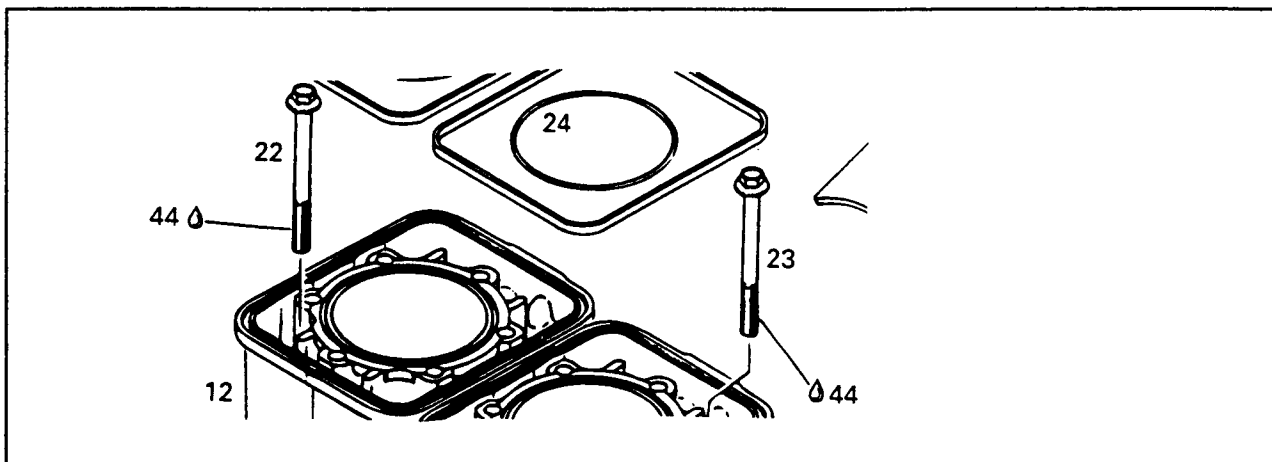
Page C9, item 31, P/N M549251, L.H. guide, should read M5340476, guide, applies twice on Skandic Wide Track.

Page C9, please delete item 31, P/N M549250, R.H. guide.

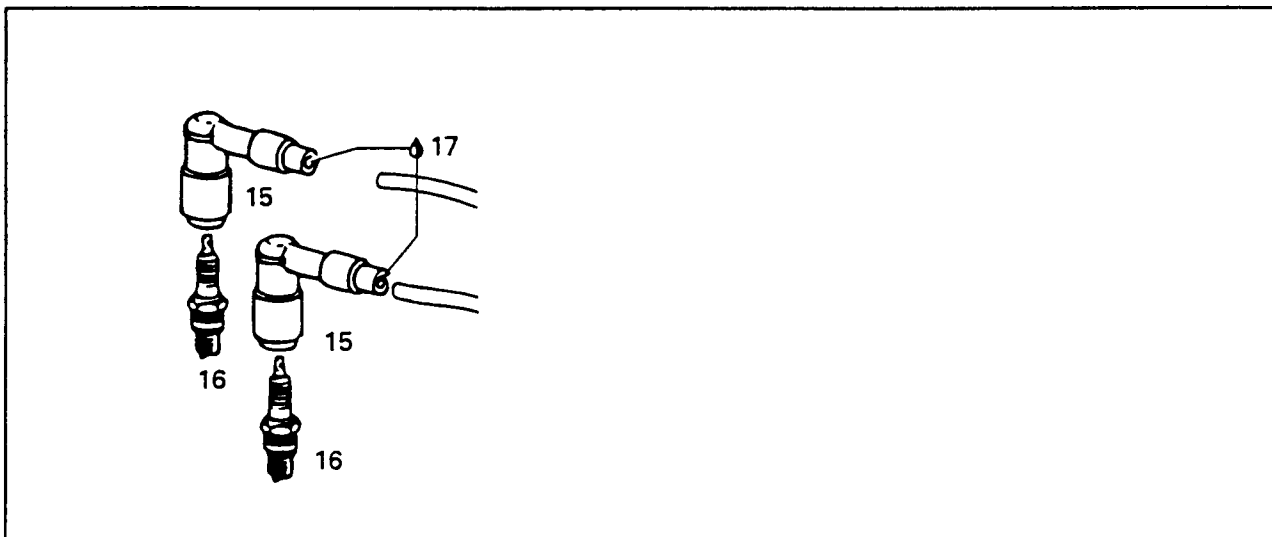
**SUMMIT 500 / 583 / 670 1996 - 480 1406 00**

Page B1, item N18, P/N 420 8150 91, semi-trapez ring 78.25, should read P/N 420 8150 31.

Pages B5-B6, items 22 & 23 have been reversed, please change the illustrations as shown below:



Page B8, please delete item 15, P/N 414 8640 00, spark plug protector. Please delete this item on the illustration, as shown below:



Page B12, item 27, P/N 512 0523 00, plate, should read item N27, P/N 512 0556 00.

Page C2, item N12, P/N 415 0103 00, engine inlet hose, applies once on Summit 500 & Summit 670.

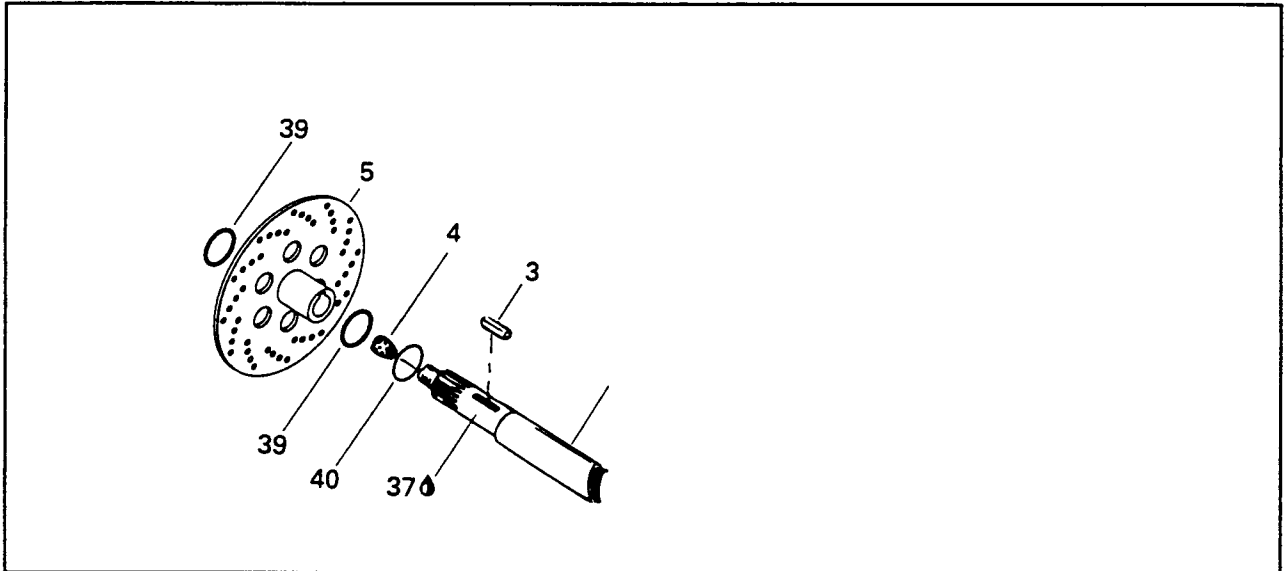


Page C2, please add item N12, P/N 415 0104 00, engine inlet hose, applies once on Summit 583.

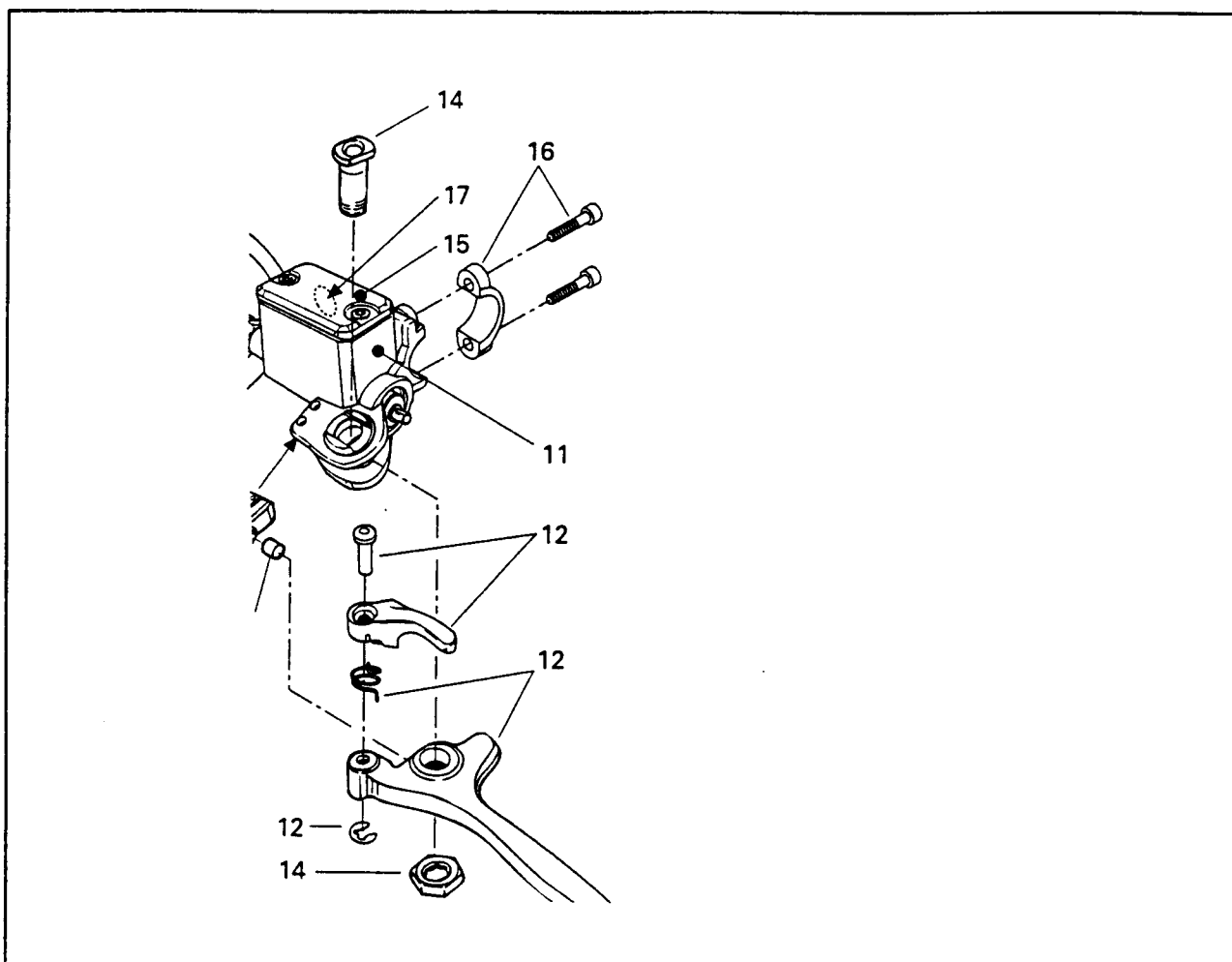
Page D7, item 27, P/N -xxx-, self tapping screw M5 x 12, should read P/N 732 6000 22.

Page D8, please add item 40, P/N 371 9100 00, circlip, applies once on Summit 500 and Summit 583.

Page D7-D8, please add item 40 on the illustrations, between item 39 and item 37, as shown below:



Page D11, please delete item 38, P/N 415 0002 00, bolt and nut ass'y, and item 39 P/N 415 0003 00, nut. Please delete these items on the illustration and replace with item 14 as shown below:



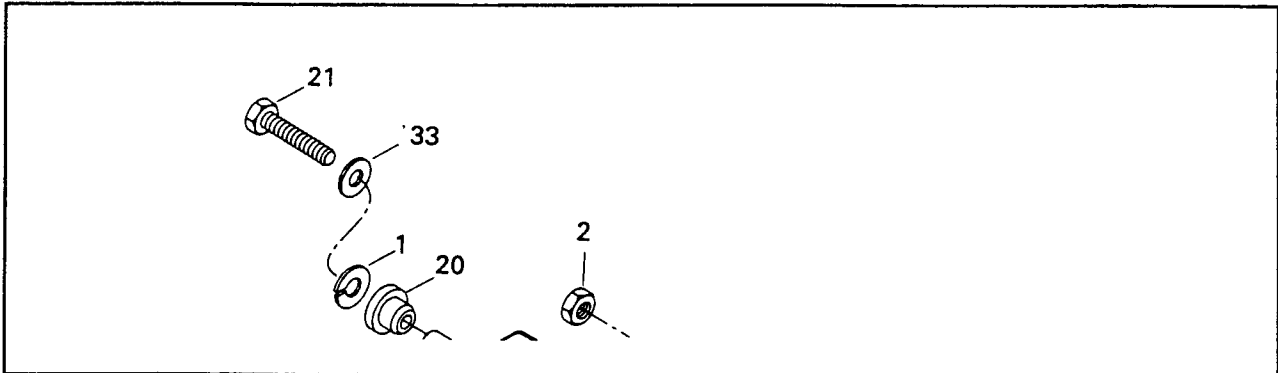
Page E2, item 4 P/N 505 0669 20, should read item 4⇒5, carbide runner kit (2), applies once on Summit 500, 583 & 670.

Page E4, item N1, P/N 570 2086 00, track "136", applies once on Summit 500, 583 & 670.

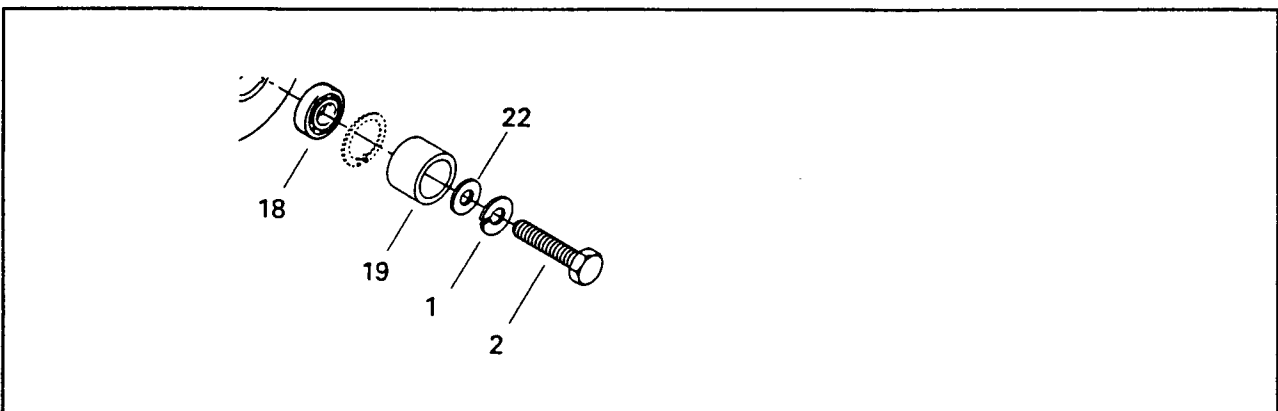
Page E4, item 17, P/N 517 2436 00, cable protector, applies once on Summit 500, 583 & 670.

Page E7, item 33, P/N 224 0012 11, washer, should read, washer 10 mm, applies four times on Summit 500, 583 & 670.

Pages E7-E8, please add on the illustrations item 33, between item 20 and item 1, as shown below:



Page E9, please delete item 22 on the illustration between item 21 and item 23. Then add item 22 between item 19 and item 1 as shown below:



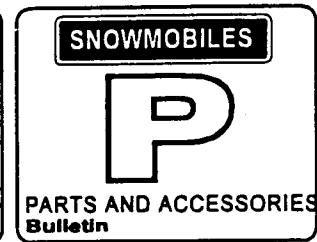
Page E10, item 34, P/N 572 0636 10, tool box ass'y should read 572 0363 10.

Page F1, item N7, P/N 518 3129 25, L.H. rear bracket, should read P/N 518 3152 05.

Page F1, item N7, P/N 518 3129 26, R.H. rear bracket, should read P/N 518 3152 06.

Page F1, item 30, P/N -xxx-, seat bracket, should read P/N 518 3102 08.

Bombardier Inc.  
Marketing - Parts and Accessories



**P-CL-96-28**

November 22, 1996

MEMO TO: ALL SKI-DOO SNOWMOBILE DEALERS & DISTRIBUTORS

ATTENTION: PARTS MANAGER

**SUBJECT: STARTER KIT - P/N 861 5031 00**

Starter kits, P/N 861 5031 00, shipped before November 4, 1996 may have some parts missing.

These parts are:

( 1 )	420 866 752	flywheel
( 1 )	420 852 410	starting pulley
( 3 )	420 240 070	allen screw
( 3 )	420 827 405	washer
( 1 )	415 054 301	instruction sheet

The missing parts were sent free of charge with a new instruction sheet.

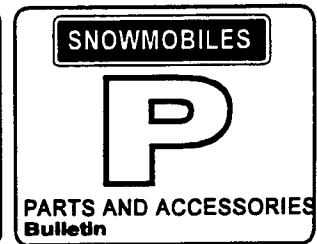
Bombardier Inc.  
Marketing - Parts and Accessories

---

**WARNING**

**IN ORDER TO AVOID SERIOUS DAMAGE TO THE ENGINE, PLEASE INSTALL THE FLYWHEEL WHEN INSTALLING THE STARTER KIT.**

---



**P-CL-96-29**

December 4, 1996

MEMO TO: ALL U.S. SKI-DOO SNOWMOBILE DEALERS

ATTENTION: PARTS MANAGER

**SUBJECT: NEW HPG SHOCK - P/N 415 0771 00**

We are proud to offer a new HPG shock, P/N 415 0771 00, for SC-10 for rear suspension. This optional parts fits on the following models:

Formula 500 1997  
Formula S 1997  
Formula SL 1997  
Formula 583 1997  
Formula 500 De Luxe 1997

Touring E 1997  
Touring LE 1997  
Touring E LT 1997  
Touring SLE 1997  
Grand Touring 500 1997

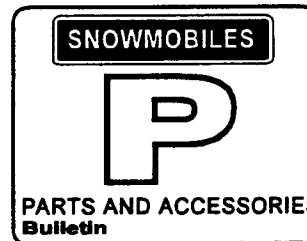
Skandic 380 1997  
Skandic 500 1997  
MX Z 440 1997

Summit 500 1997  
Summit 583 1997  
Summit 670 1997

Item no.: 780000016

You can place an order through your respective order desk.

Bombardier Inc.  
Marketing - Parts and Accessories



**P-CL-96-29**

December 4, 1996

MEMO TO: ALL CANADIAN SKI-DOO SNOWMOBILE DEALERS

ATTENTION: PARTS MANAGER

**SUBJECT: NEW HPG SHOCK - P/N 415 0771 00**

We are proud to offer a new HPG shock, P/N 415 0771 00, for SC-10 rear suspension. This optional parts fits on the following models:

Formula 500 1997  
Formula S 1997  
Formula SL 1997  
Formula 583 1997  
Formula 500 De Luxe 1997

Touring E 1997  
Touring LE 1997  
Touring E LT 1997  
Touring SLE 1997  
Grand Touring 500 1997

Skandic 380 1997  
Skandic 500 1997  
MX Z 440 1997

Summit 500 1997  
Summit 583 1997  
Summit 670 1997

Item no. 730000057

You can place an order through your respective order desk.

Bombardier Inc.  
Marketing - Parts and Accessories



**P-CL-96-30**

December 6, 1996

**MEMO TO: ALL SKI-DOO SNOWMOBILE DEALERS & DISTRIBUTORS**

**ATTENTION: PARTS MANAGER**

**SUBJECT: PARTS NUMBER INDEX BY NUMERICAL ORDER**

To add to information already in our Sea-Doo, Jet Boats and Ski-Doo catalogs, we are adding the following useful feature.

At the end of each 1997 Sea-doo and Jet Boats catalogs printed from December 1996 and up will contain an index listing the part numbers in numerical sequence and in what page they are illustrated and described.

This will be introduced in our 1998 Ski-doo catalogs, and possibly the last two 1997 catalogs to be printed shortly in December 1996.

**Bombardier Inc.  
Marketing - Parts and Accessories**



## Numerical Index Index numérique

## EXAMPLE EXEMPLE

270 500 155 Page:C7	271 000 626 Page:C11	275 500 098 Page:C3	278 000 060 Page:A11
270 500 175 Page:C6	271 000 634 Page:C9	275 500 104 Page:C3	278 000 098 Page:B4, B6
270 500 190 Page:C7	271 000 659 Page:C10	275 500 111 Page:C3	278 000 100 Page:B3, B4, B7, B10, B11
270 500 192 Page:C7	271 000 660 Page:C9	275 500 139 Page:C1, C3	278 000 156 Page:B6
270 500 209 Page:C6	271 000 670 Page:C9	275 500 153 Page:C3	278 000 161 Page:B6, B12
270 500 221 Page:C7	271 000 673 Page:C11	275 500 167 Page:D8	278 000 168 Page:A11
270 500 222 Page:C6	271 000 693 Page:C10	275 500 168 Page:C3	278 000 170 Page:A11
270 500 224 Page:C7	271 000 703 Page:C10	275 500 231 Page:C3	278 000 181 Page:B2
270 500 228 Page:C6	271 000 704 Page:C10	275 500 241 Page:C4	278 000 193 Page:B7, B10, B11
270 500 229 Page:C6	271 000 742 Page:C9	275 500 249 Page:C4	278 000 216 Page:B6, B8, B10, B11
270 500 230 Page:C6	272 000 001 Page:C8	275 500 263 Page:C3	278 000 217 Page:B6, B8, B9, B10, B11, C2
270 500 234 Page:C6	272 000 019 Page:C8	275 500 264 Page:C3	278 000 218 Page:B4, B6, B8, B9, B10, B11, B12, C2, C10, D7
270 500 239 Page:C6	272 000 041 Page:C8	275 500 270 Page:C3	278 000 219 Page:B6, B8
270 500 241 Page:C6	272 000 042 Page:C8	275 500 287 Page:C3	278 000 220 Page:B6, B8, B9, B10, B11, D7
270 500 243 Page:C7	272 000 053 Page:C10	275 500 291 Page:C3	278 000 221 Page:B6
270 500 248 Page:C7	272 000 064 Page:C8	275 500 301 Page:C3	278 000 222 Page:B6, B8, B9, B10, B11, B12, C2, C10
270 500 249 Page:C7	272 000 084 Page:C8	275 500 318 Page:C3	278 000 223 Page:B4, B6, B8, B9, B10, B11, B12, D7
270 500 256 Page:C7	272 000 127 Page:C8	276 000 001 Page:C1	278 000 228 Page:B3, B6
270 500 266 Page:C7	273 000 006 Page:C5	276 000 048 Page:C1	278 000 230 Page:B2, B3, B6, B10, B11
270 500 267 Page:C6	273 000 020 Page:C5	277 000 036 Page:D1	278 000 231 Page:B7
270 500 269 Page:C7	273 000 022 190 Page:C5	277 000 052 Page:C11, D2	278 000 237 Page:B4
270 500 270 Page:C7	273 000 059 Page:C5	277 000 055 Page:C11, D2	278 000 245 Page:B4
270 500 271 Page:C7	273 000 065 Page:C5	277 000 142 Page:D1	278 000 254 Page:A11
270 500 272 Page:C7	273 000 077 Page:C5	277 000 153 Page:C11, D2	278 000 273 Page:A11
270 500 284 Page:C6	273 000 103 Page:C5	277 000 162 Page:C12, D1	278 000 281 Page:B6, B8, B12
270 500 285 Page:C6	274 000 161 Page:A12	277 000 167 Page:C11, D2	278 000 281 Page:B6, B8, B9, B12, C10
270 500 286 Page:C7	274 000 169 Page:B1	277 000 203 Page:D2	278 000 300 Page:B4, B5, B7
270 500 287 Page:C7	274 000 170 Page:A12	277 000 214 Page:D1	278 000 321 Page:B4
270 500 288 Page:C7	274 000 170 Page:A12	277 000 219 Page:D2	278 000 322 Page:B4
270 500 304 Page:A10	274 000 210 Page:A12	277 000 279 Page:D1	278 000 343 Page:B2, B3
270 500 305 Page:A10	274 000 222 Page:A12	277 000 285 Page:D1	278 000 344 Page:B2
271 000 122 Page:C10	274 000 224 Page:A12	277 000 305 Page:D1	278 000 345 Page:B2, B3
271 000 290 Page:C9	274 000 225 Page:A12	277 000 379 Page:D1	278 000 378 Page:B2
271 000 291 Page:C9	274 000 254 Page:A12	277 000 381 Page:D1	278 000 379 Page:B2
271 000 366 Page:C9	274 000 316 Page:C1	277 000 466 Page:C11, D2	278 000 383 Page:B3
271 000 399 Page:C9	274 000 357 Page:B1	277 000 473 Page:C11, D2	278 000 394 Page:B6, B10
271 000 430 Page:C11	274 000 382 Page:C1	277 000 515 Page:D1	278 000 395 Page:B4, B6
271 000 431 Page:C11	274 000 400 Page:A12	277 000 516 Page:D1	278 000 440 Page:B3
271 000 485 Page:C11	274 000 420 Page:A12	277 000 518 Page:D1	278 000 443 Page:B2
271 000 516 Page:C9	274 000 423 Page:C1	277 000 519 Page:D1	278 000 444 Page:B4
271 000 517 Page:C9	274 000 489 Page:B1	277 000 526 Page:D2	278 000 478 Page:B8, C2
271 000 573 Page:C9	274 000 490 Page:A12	277 000 549 Page:D2	278 000 508 Page:B8
271 000 575 Page:C10	275 000 007 Page:B1, C1, C2, D8	277 000 550 Page:D2	278 000 511 Page:B4
271 000 576 Page:C9	275 000 008 Page:C2	277 000 552 Page:C11	278 000 513 Page:B3
271 000 583 Page:C11	275 000 051 Page:C2	277 000 562 400 Page:D1	278 000 559 Page:B3
271 000 584 Page:C11	275 000 064 Page:C2	277 000 563 Page:D2	278 000 585 Page:B6
271 000 585 Page:C12	275 000 172 Page:C2	277 000 595 Page:D1	278 000 609 Page:B4
271 000 586 Page:C12	275 000 185 Page:C2	277 000 603 Page:D2	278 000 615 Page:B2
271 000 587 Page:C11	275 000 199 Page:C2	277 000 646 Page:C11, D2	278 000 631 Page:A10, B3, B6
271 000 598 Page:D1, D9	275 500 018 Page:C2, D8, D9	277 000 671 Page:D2	278 000 632 Page:B4, B6, B10
271 000 612 Page:C12	275 500 039 Page:A9	277 000 688 Page:D2	278 000 635 Page:B6
271 000 613 Page:C12	275 500 087 Page:C2, C4	278 000 020 Page:B4	278 000 636 Page:B7
271 000 613 Page:C12	275 500 088 Page:C3	278 000 048 Page:A11	278 000 644 Page:B2
271 000 614 Page:C12	275 500 089 Page:C3	278 000 056 Page:A11	278 000 664 Page:B3
271 000 623 Page:C9	275 500 090 Page:C3		





**P-CL-96-31**

December 6, 1996

**MEMO TO: ALL SKI-DOO SNOWMOBILE DISTRIBUTORS & DEALERS**

**ATTENTION: PARTS MANAGER**

**SUBJECT: PARTS CATALOG CORRECTIONS**

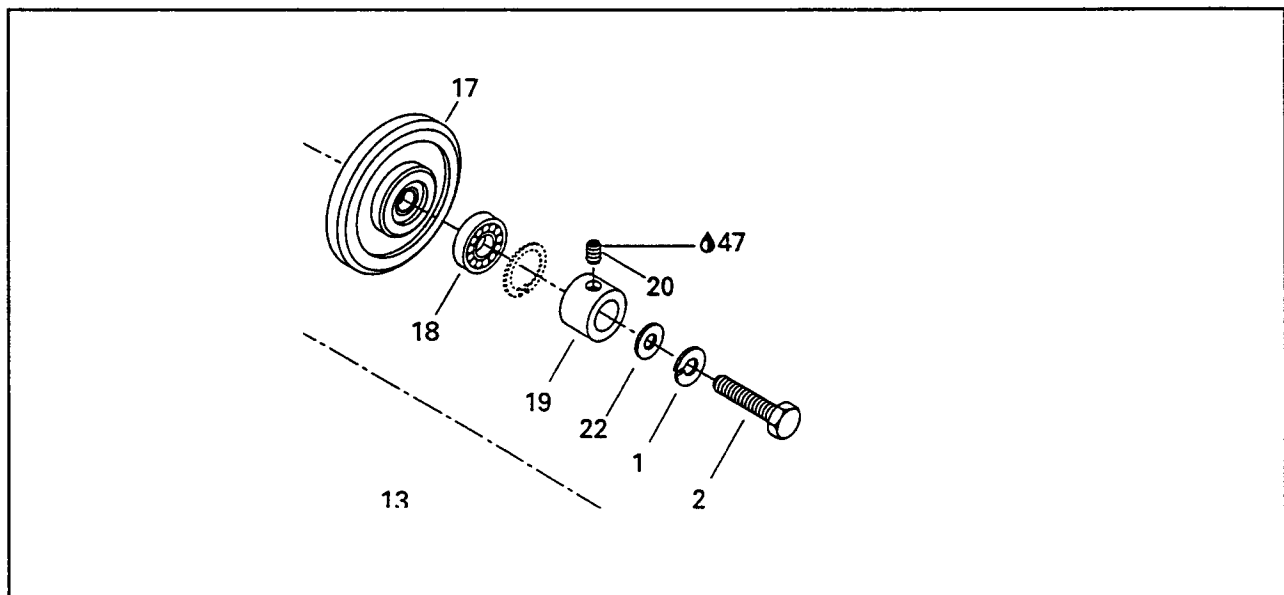
The following corrections should be made in your parts catalogs.

**FORMULA Z / SS 1996 - 480 1409 00**

Page A10, item N18, P/N 420 8150 91, semi-trapez ring 78.25 mm, should read P/N 420 8150 31.

Page D10, item 22, P/N 224 0012 11, flat washer 10 mm, applies four times on Formula Z and Formula SS.

Pages D10-D11, please add item 22 on the illustrations as shown below:



**FORMULA Z / SS 1996 - 480 1409 00**

Page D11, item N43, P/N -xxx-, threaded rod, should read P/N 503 1691 00.

Page E3, item 34, P/N -xxx-, seat bracket, should read P/N 518 3102 08.

**MXZ 440 / 583 1996 - 480 1410 00**

Page B2, item N40, P/N 420 9958,78, gasket set, should read P/N 420 9958 77.

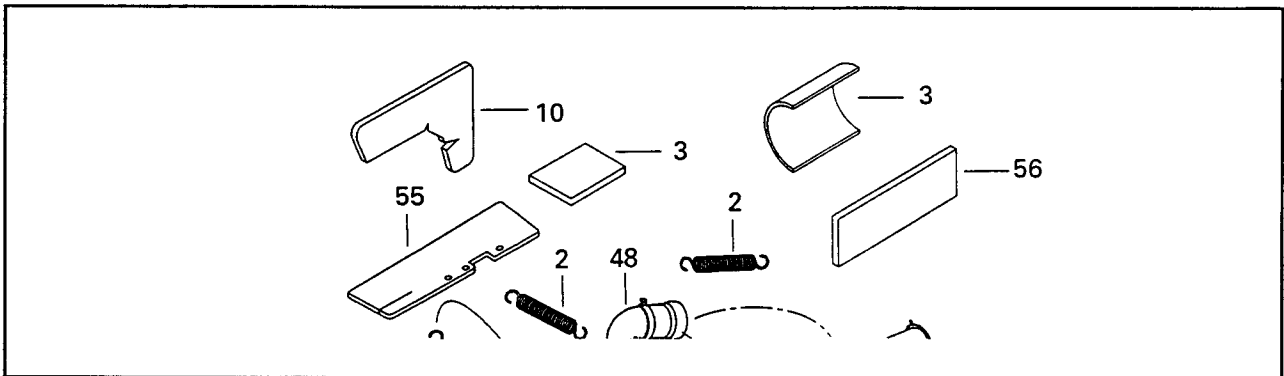
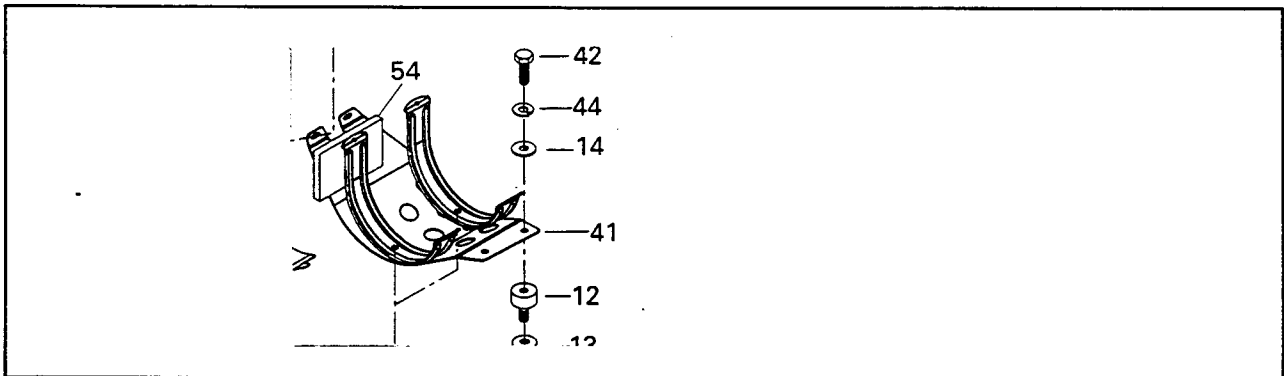
Page B6, item N1, P/N 400 4076 00, "454" engine should read P/N 400 4075 00.

Page B6, item N2, P/N 570 0447 00, rubber bumper, should read P/N 570 0487 00.

Page B8, please add the following items:

Item	Part no.	Description	MXZ 440	MXZ 583
54	414 7062 00	reflection plate	—	as required (@)
N55	415 0489 00	reflection sheet	—	as required (@)
N56	415 0491 00	reflection sheet	—	as required (@)

Pages B7-B8, please add on the illustrations items 54, N55, N56 as shown below:



**MXZ 440 / 583 1996 - 480 1410 00 (suite)**

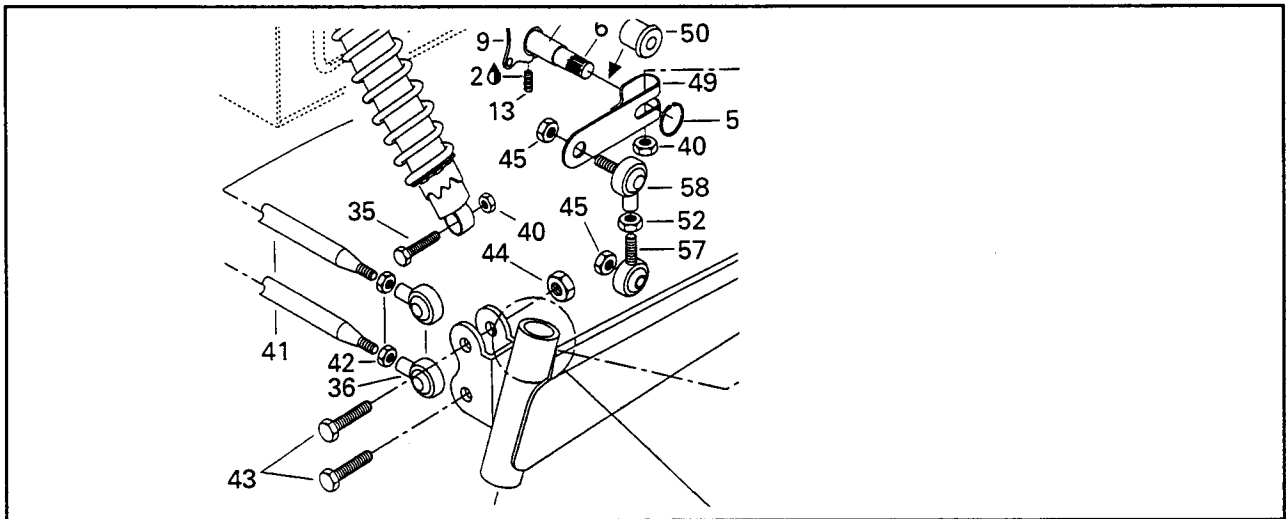
Page C7, item N6, P/N 404 1478 00, jet needle J8 7ECY1, should read P/N 404 1574 00.

Pages C12-D1, item 45 on illustrations should read item 37, Loctite 271 10cc.

Page D2, item N10, P/N 414 9778 00, hose, should read P/N 414 9727 00.

Page D2, item 35, P/N 390 4036 00, rivet, should read item 36.

Pages D5-D6, item 28 on the illustrations should read item 43, hex screw M12 x 50, as shown below:



Page D8, item N1, P/N 503 1683 00, runner (121"), should read P/N 503 1703 00.

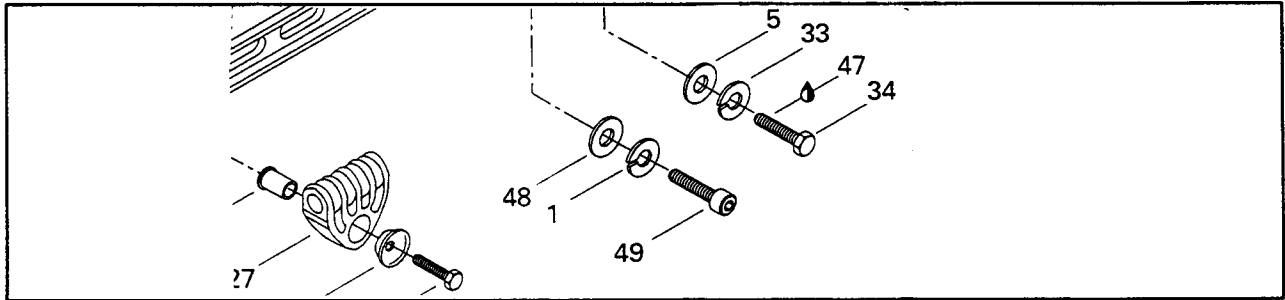
Page D8, item N1, P/N 503 1622 00, runner (121") should read P/N 503 1704 00.

Page D12, item 1, P/N 224 7011 88, lock washer 10 mm, applies four times on MX Z 440 and MX Z 583.

Page D12, item 5, P/N 224 0812 01, washer, applies six times on MX Z 440 and MX Z 583.

**MXZ 440 / 583 1996 - 480 1410 00 (suite)**

Pages D12-E1, please change right hand bottom corner of the illustrations as shown below (implicated items are 5, 33,34, 1, 48, 49)



Page E1, item 33, P/N 224 7811 40, lock washer 8 mm, applies twice on MX Z 440 and MX Z 583.

Page E1, item N34, P/N 222 0830 66, applies twice on MX Z 440 and MX Z 583.

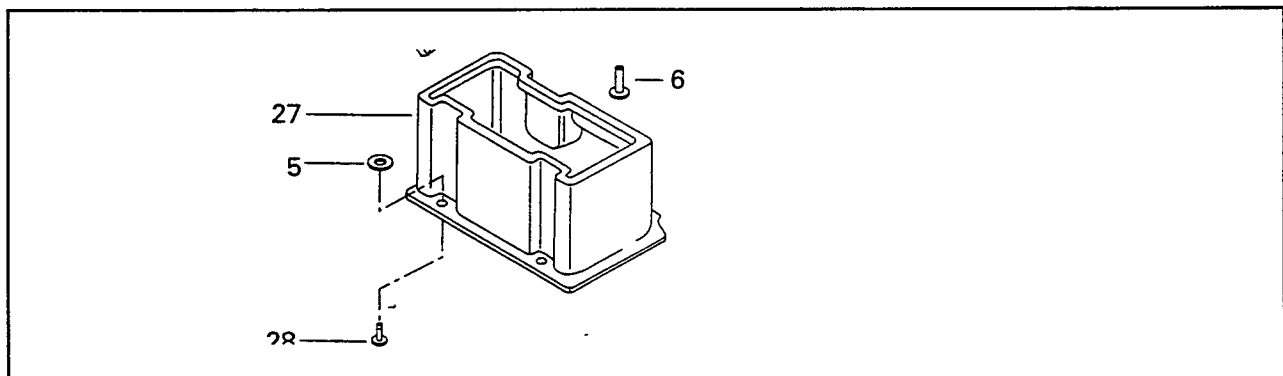
Page E1, item N38, P/N 503 1689 00, bracket weld, should read P/N 503 1702 00.

Page E1, item N43, P/N -xxx-, threaded rod, should read P/N 503 1691 00.

Page E1, item 48, P/N 224 0012 11, flat washer 10 mm, applies four times on MX Z 440 and MX Z 583.

Page E1, please add item 49, P/N 222 9035 65, screw allen M10 x 35, applies twice on MX Z 440 and MX Z 583.

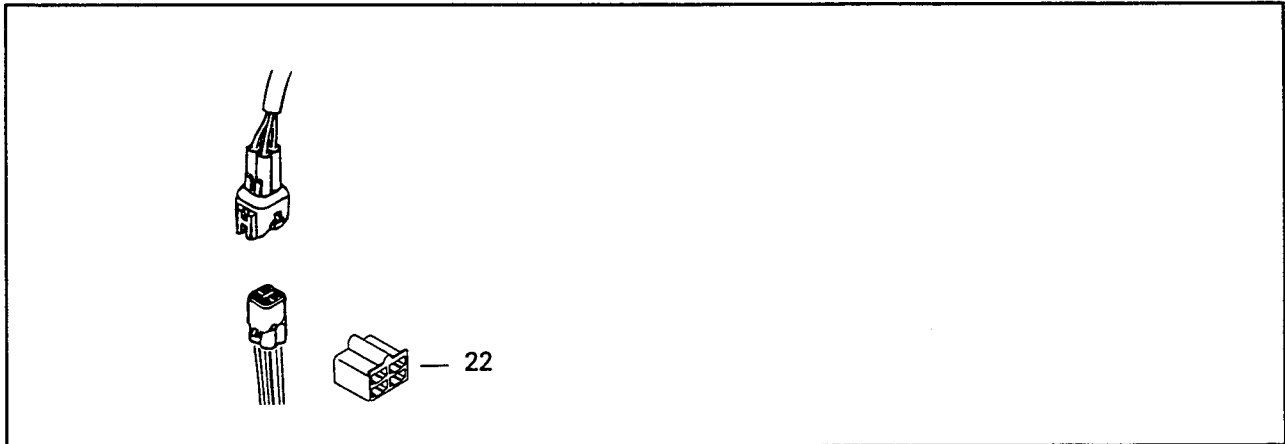
Pages E3-E4, item 9 on the illustrations should read item 6, as shown below:



Page E5, item 30, P/N -xxx-, seat bracket, should read P/N 518 3102 08.

**FORMULA S /SL / SLS 1996 - 480 1407 00**

Page B3, please delete items identified with ??



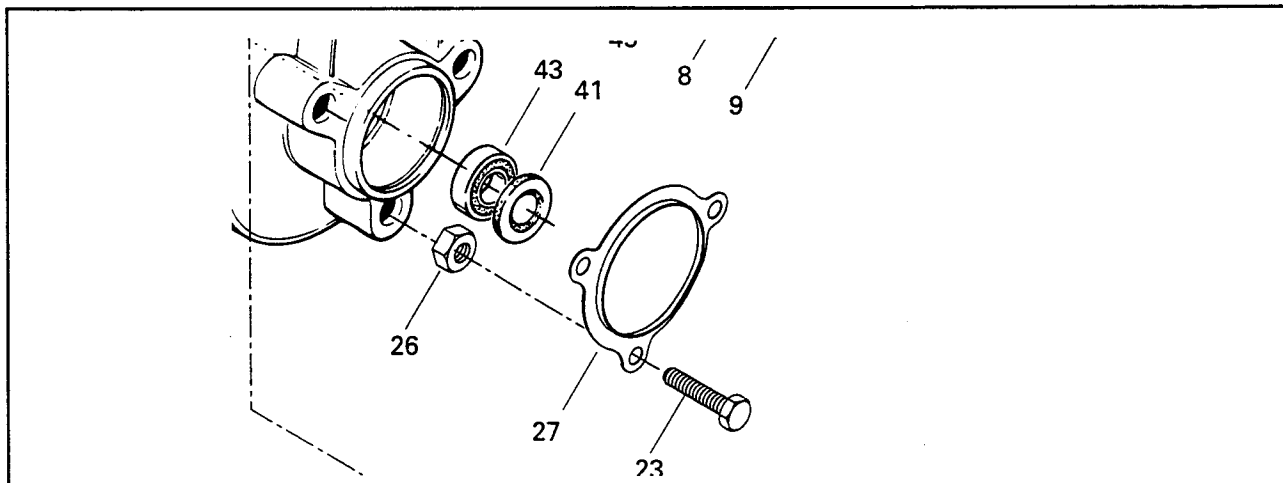
Page B6, item 13, P/N 512 0509 00, support, should read item N13, P/N 512 0554 00.

Page B7, item 11 P/N 512 0509 00, support, should read P/N 512 0554 00.

Page C2, item 11, P/N 420 9359 45, oil pump gear 41 teeth, should read oil pump gear 44 teeth.

Page C11, item 23, P/N 404 1016 00, gasket washer, applies four times on Formula SLS.

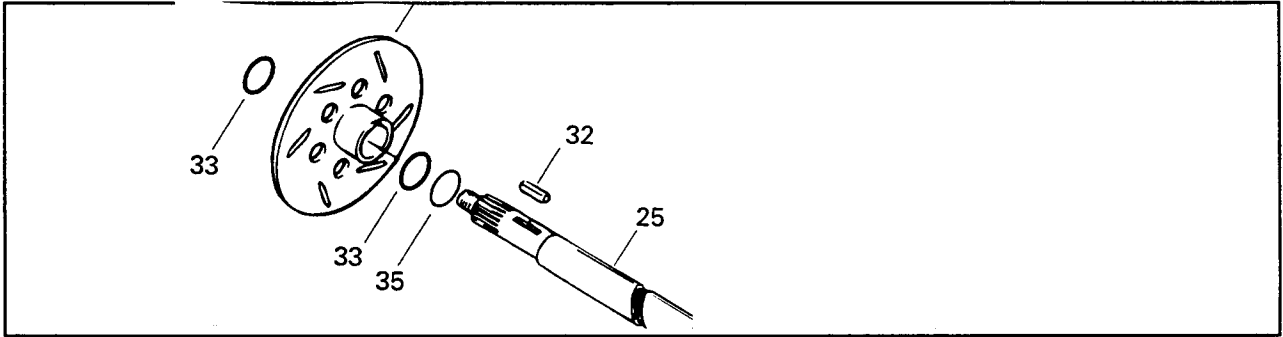
Pages D1-D2, please change the illustrations, item 27, as shown below:



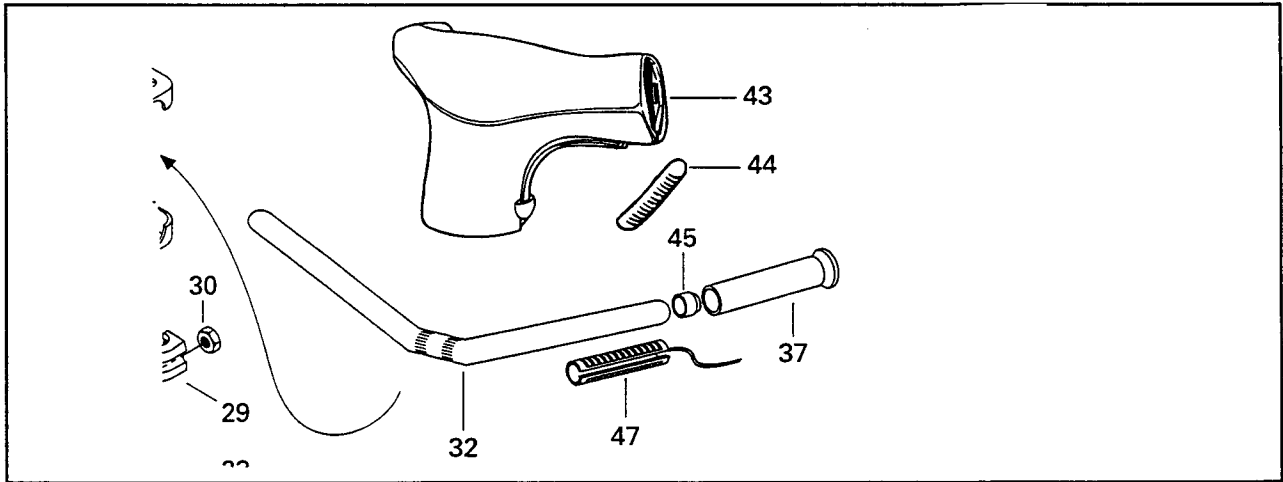
Page D7, please add item 35, P/N 371 9100 00, circlip, applies once on Formula S, SL, & SLS.

**FORMULA S /SL / SLS 1996 - 480 1407 00 (suite)**

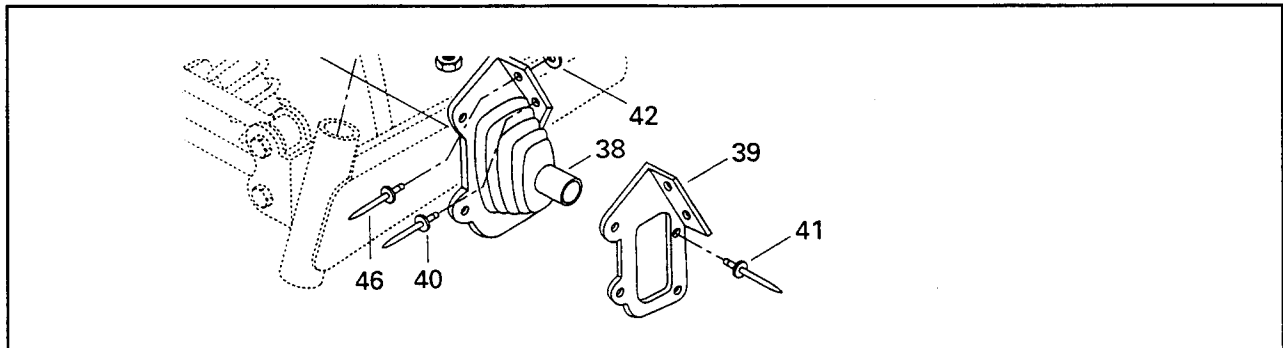
Pages D6-D7, please add item 35, circlip, as shown below:



Pages D10-D11, please change upper right hand corner of the illustration as shown below:



Page D10-D11, item 49 on the illustrations should read item 46 as shown below:



**FORMULA S /SL / SLS 1996 - 480 1407 00 (suite)**

Page D11, please delete the following items:

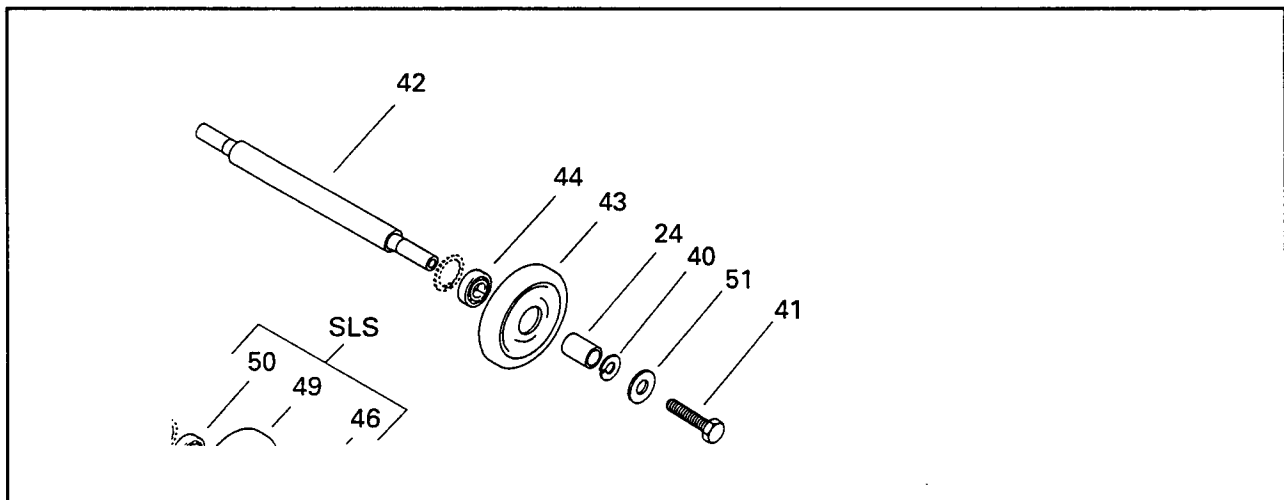
Item 45	P/N 222 8520 65	Phillips screw M5 x 20
Item 46	P/N 228 7510 45	flanged elastic nut M5

Page D11, item N48, P/N 572 0819 00, end handle bar, should read item 45.

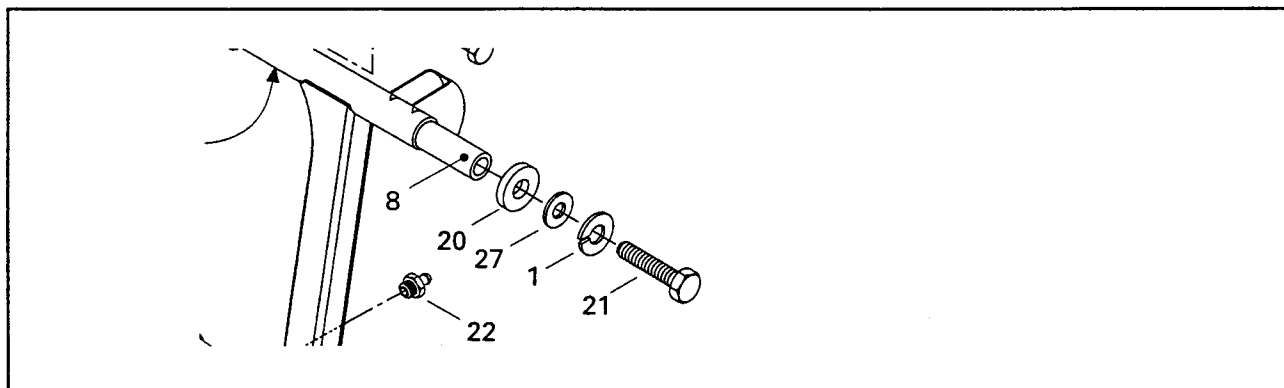
Page D11, item 49, P/N 390 9080 00, rivet (left side only), should read item 46.

Page E4, please item 51, P/N 224 0811 71, washer 8 mm, applies twice on Formula S, SL & SLS.

Pages E3-E4, please add items 51 on the illustrations as shown below:

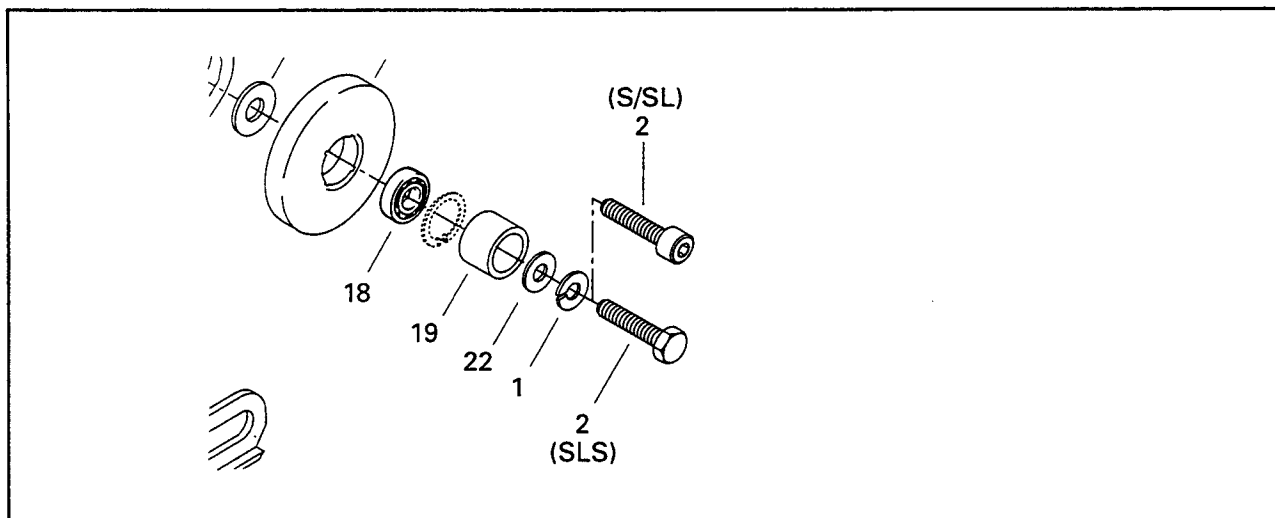


Page E5, please add item 27, P/N 224 0012 11, washer 10 mm, applies twice on Formula S, SL & SLS. Please add this item on the illustration as shown below:



**FORMULA S /SL / SLS 1996 - 480 1407 00 (suite)**

Page E6, item 22, P/N 224 0012 11, flat washer, applies four times on Formula S, SL & SLS. Please add this item on the illustration as shown below:



Page E8, item 7, P/N 518 3087 04, rear bracket, applies twice on Formula S & SL.

Page E8, please delete item 7, P/N -xxx-, rear bracket.

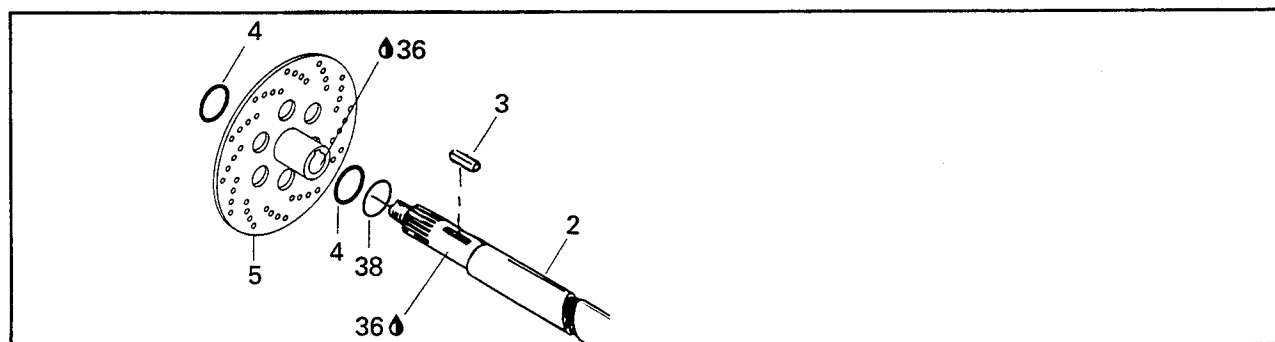
Page E8, item N22, P/N 517 3137 00, guide rope, should read P/N 518 3137 00.

Page E9, item 34, P/N -xxx-, seat bracket, should read P/N 518 3102 08.

**FORMULA STX /STX LT 1996 - 480 1408 00**

Page C1, item 36, P/N 413 7010 00, francophone section should read Loctite 767 lubrifiant antigrippage.

Page C1, please add item 38, P/N 371 9100 00, circlip, applies once on Formula STX & STX (LT). Please add this item on the illustration as shown below:



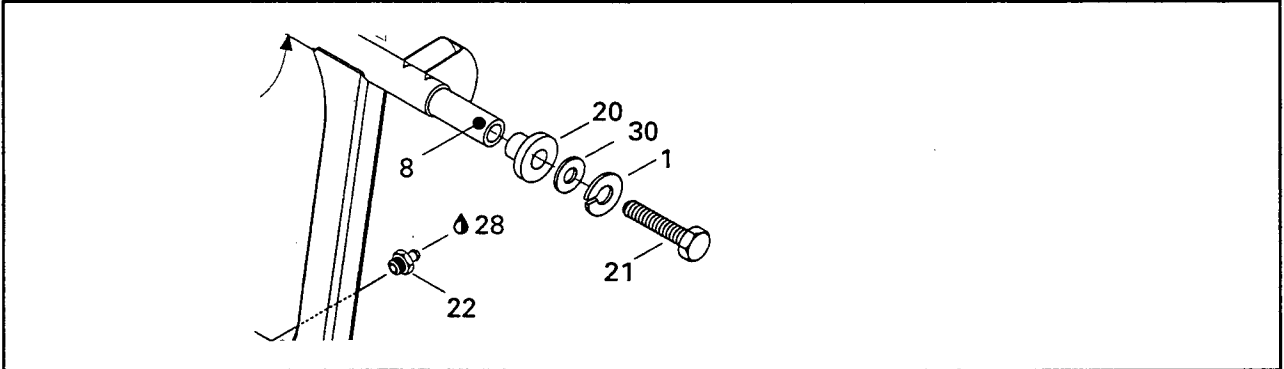


**FORMULA STX /STX LT 1996 - 480 1408 00 (suite)**

Page C7, item 39, P/N -xxx-, washer, should read P/N 503 1467 00.

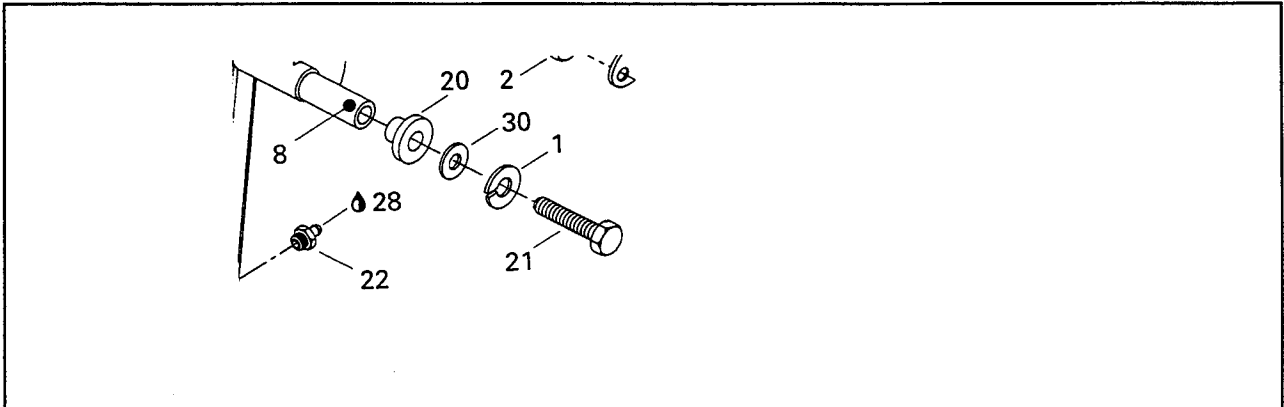
Page D1, item N9, P/N 414 7957 00, shock, should read P/N 414 9757 00.

Page D1, please add item 30, P/N 224 0012 11, washer 10 mm, applies twice on Formula STX. Please add this item on the illustration as shown below:



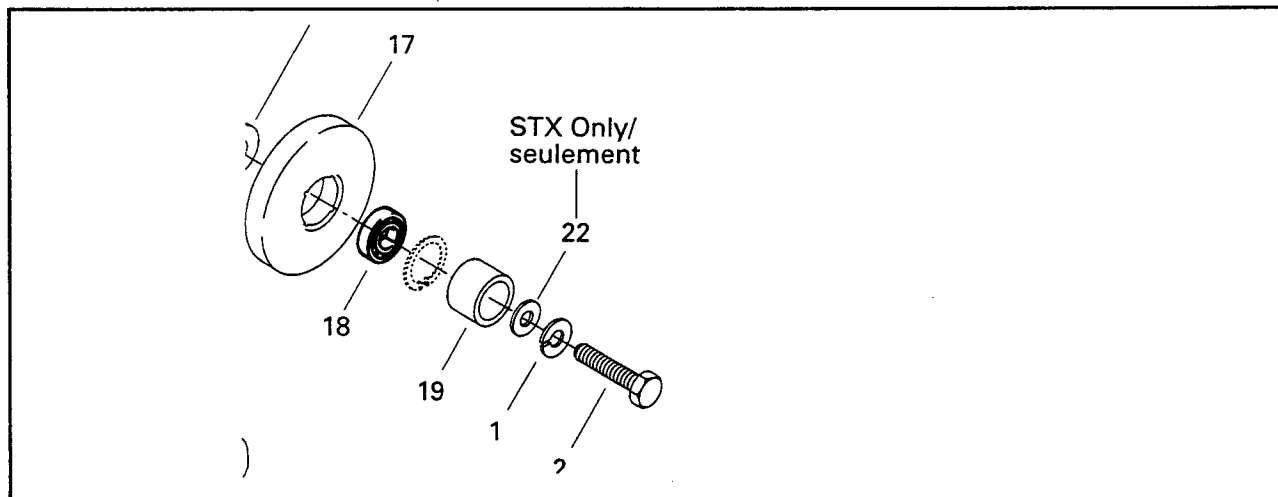
Page D2, item N9, P/N 414 7957 00, shock, should read P/N 414 9757 00.

Page D2, please add item 30, P/N 224 0012 11, washer 10 mm, applies twice on Formula STX (LT). Please add this item on the illustration as shown below:



**FORMULA STX /STX LT 1996 - 480 1408 00**

Page D3, please add on the illustration item 22, between item 19 and item 1, as shown below:



Page D7, item 34, P/N -xxx-, seat bracket, should read P/N 518 3102 08.

**FORMULA III / III (LT), MACH 1, MACH Z/ Z (LT) 1996 - 480 1411 00**

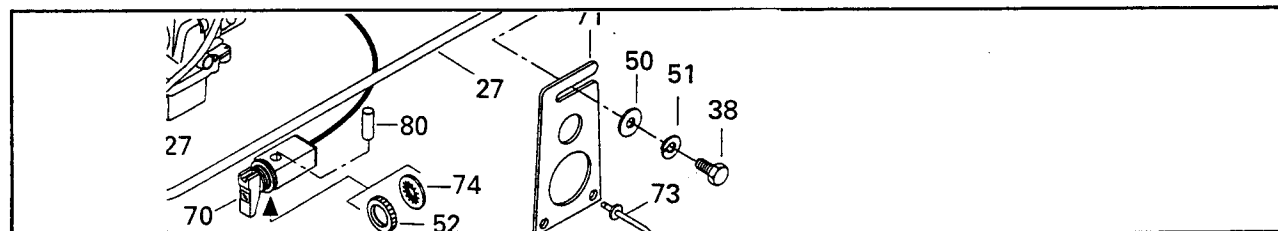
Page A10, item 16⇒18, P/N 420 8865 30, piston ass'y (ring 78.0 mm), should read P/N 420 8865 35 and P/N 420 8865 31, piston ass'y (ring 78.25 mm) should read P/N 420 8865 36.

Page A10, item 18, P/N 420 8150 30, semi-trapez ring 78.0 mm, should read P/N 420 8150 90 and P/N 420 8150 31, semi-trapez ring 78.25 mm, should read P/N 420 8150 91

Page D2, item N70, P/N 561 2055 00, choke cable, should read choke cable (incl. it 80).

Page D3, please add item N80, P/N 372 1184 00, spring pin, applies once on Mach Z & Z (LT).

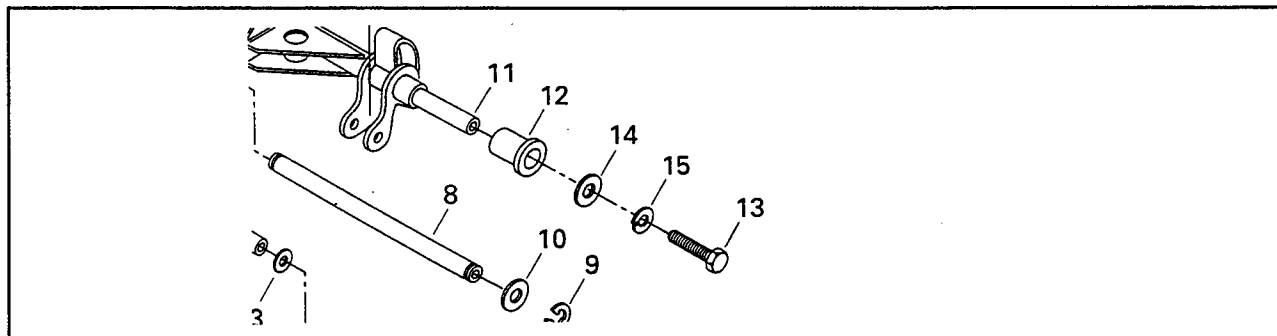
Pages D1-D2-D3, please add on the illustration item N80 as shown below:



**FORMULA III / III (LT), MACH 1, MACH Z/ Z (LT) 1996 - 480 1411 00**

Page F4, item 14, P/N 224 0012 11, applies six times on Formula III , III (LT), Mach 1, Mach Z & Z LT.

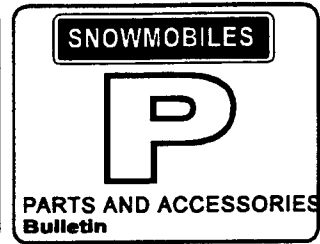
Pages F4-F5, please add item 14, P/N 224 0012 11, as shown below:



Page F9, item 34 P/N -xxx-, seat bracket, should read P/N 518 3102 08.

Page F11, item 34, P/N 414 6324 00, foam acoustic (74" x 34" x 1"thk) should read P/N 414 6319 00.

Bombardier Inc.  
Marketing - Parts and accessories



**P-CL-96-32**

December 6, 1996

MEMO TO: ALL U.S. SKI-DOO SNOWMOBILE DEALERS

ATTENTION: PARTS & SERVICE MANAGER

**SUBJECT: LEVER - P/N 415 0753 00**

We recently noticed that there has been a misprint in the September 30th price list, price diskette included.

The September price list and diskette reads the following:

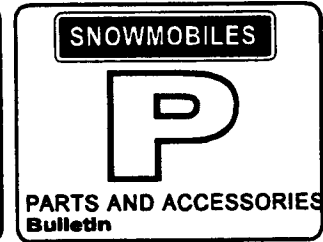
		Item no.
415 0753 00	Levier - Lever	85000000

The corrected version should read:

415 0753 00	Levier - Lever	97000081
-------------	----------------	----------

Please take note of this correction and rectify your price list accordingly. We are sorry for any inconvenience this situation may have caused.

Bombardier Inc.  
Marketing - Parts & Accessories



**P-CL-96-32**

December 6, 1996

**MEMO TO: ALL CANADIAN SKI-DOO SNOWMOBILE DEALERS**

**ATTENTION: PARTS & SERVICE MANAGER**

**SUBJECT: LEVER - P/N 415 0753 00**

We recently noticed that there has been a misprint in the September 30th price list, price diskette included.

The September price list and diskette reads the following:

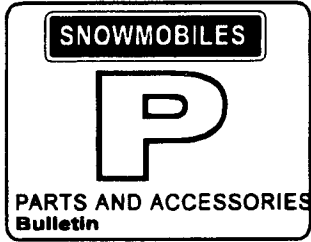
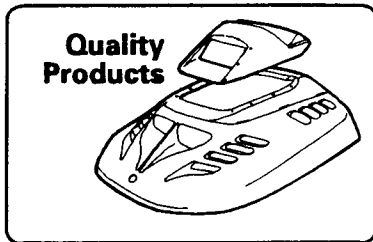
	<b>Item no.</b>
415 0753 00      Levier - Lever	07000000

**The corrected version should read:**

415 0753 00      Levier - Lever	98000022
---------------------------------	----------

Please take note of this correction and rectify your price list accordingly. We are sorry for any inconvenience this situation may have caused.

Bombardier Inc.  
Marketing - Parts & Accessories



**P-CL-96-33**

December 27, 1996

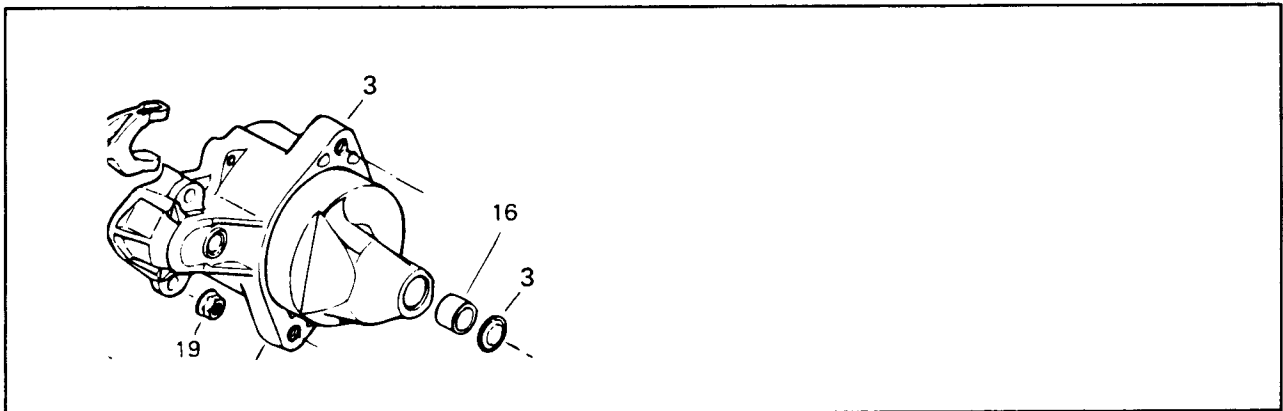
MEMO TO: ALL SKI-DOO SNOWMOBILE DISTRIBUTORS & DEALERS  
ATTENTION: PARTS MANAGER

**SUBJECT: PARTS CATALOG CORRECTIONS**

The following corrections should be made in your parts catalogs.

**TOURING E / E LT / LE / SLE 1996 - 480 1416 00**

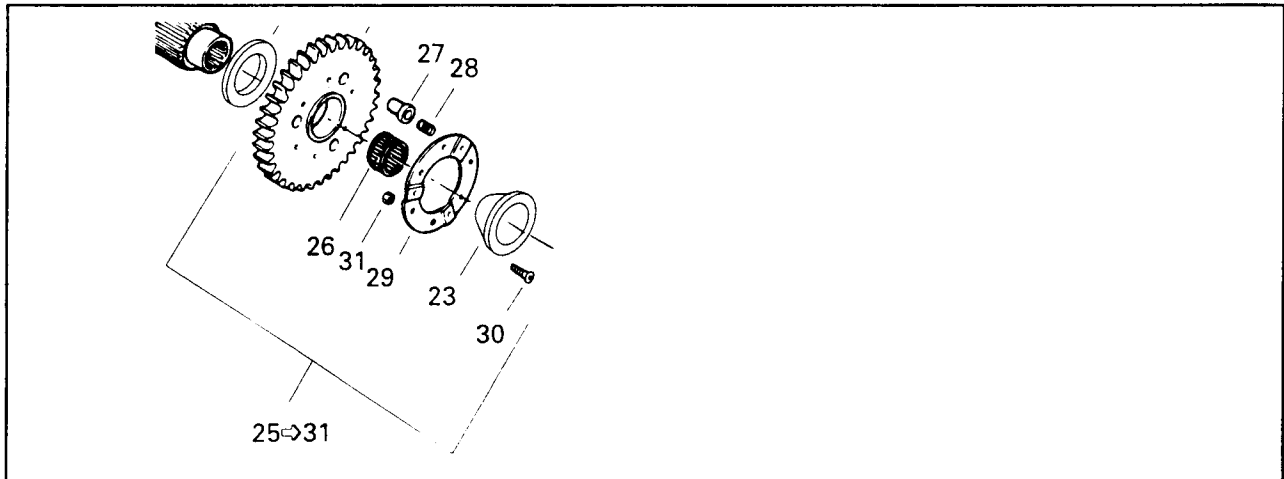
Page B1, please delete item 16 on the illustration between item 19 and item 3 as shown below:



Page C3, item 1, P/N 504 0954 00, chaincase, applies once on Touring E, E (LT) & LE.

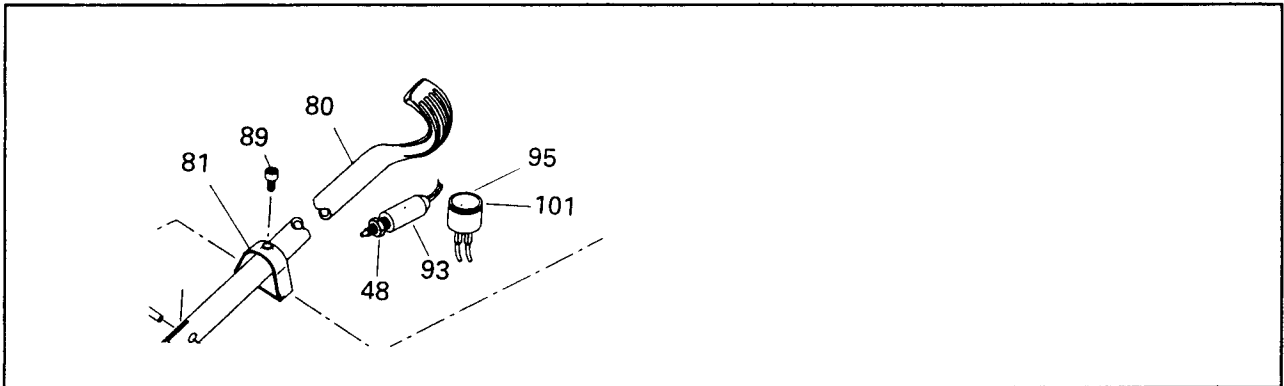
Page C3, please delete item 1, P/N 504 0954 02, chaincase.

Page C5, item 25⇒30, P/N 581 0959 00, sprocket ass'y (44 teeth narrow), should read item 25⇒31. Please correct this item on the illustration.



Page C7, please add on the illustration item 101, P/N 414 8051 01, plastic nut, applies once on Touring SLE.

Pages C5-C6-C7, please add on the illustrations item 101, plastic nut, as shown below:



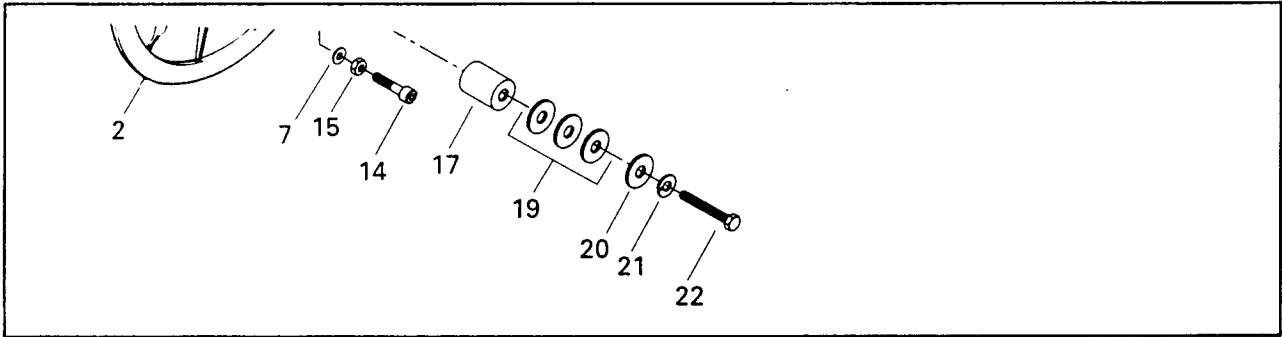
Page C9, item N1, P/N 420 4804 17, inner half ass'y (incl. it 35 & 36) should read, inner half ass'y and applies once on Touring LE & SLE.

Page C9, please delete item N1, P/N 420 4800 94, inner half ass'y (incl. it 35 & 36).

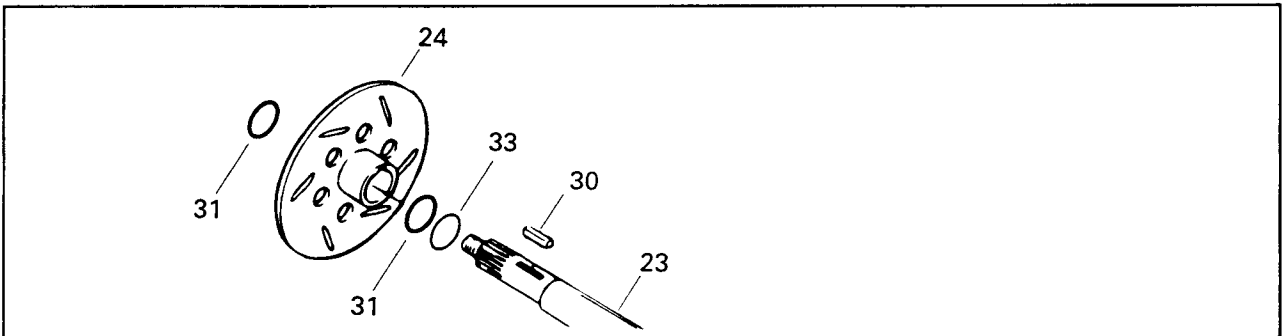
Page C9, item 13, P/N 414 6895 00, spring (blue/yellow) should read P/N 415 0152 00, spring (red/orange).

Page C10, please add item 36, P/N 732 6000 21, screw taptite hex M6 x 16, applies six times on Touring LE & SLE.

Page C11, item 16 on illustration between item 2 and item 15 should read item 7 (washer).

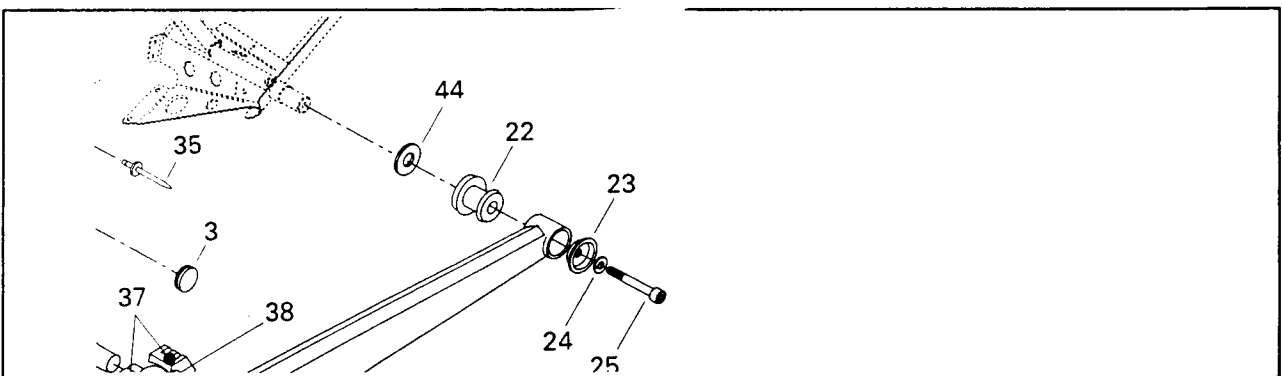


Page C11, please add item 33, P/N 371 9100 00, circlip, applies once on Touring E, E (LT), LE & SLE. Please add this item on the illustration as shown below:



Page D5, please add item 44, P/N 503 1467 00, washer, applies twice on Touring E, E (LT), LE & SLE.

Pages D4-D5, please add on the illustration item 44, washer, as shown below:

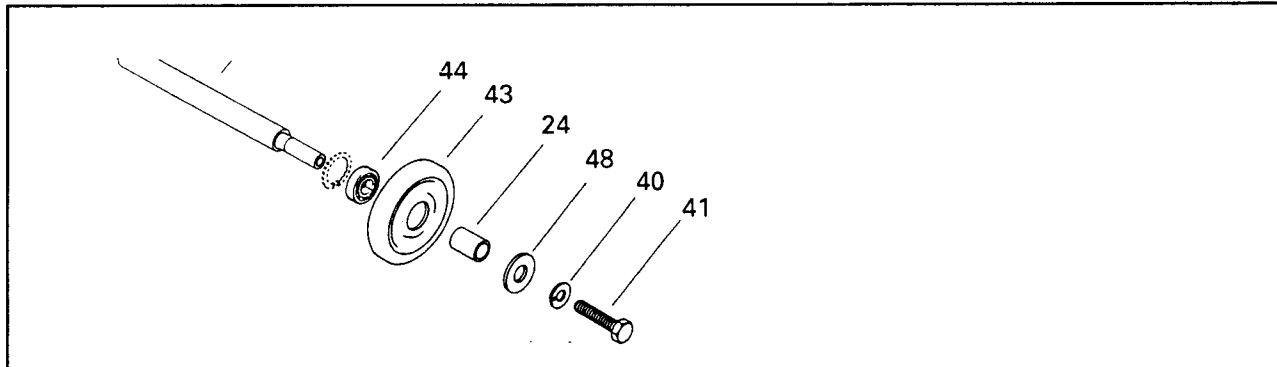


Page D8, please add item 48, P/N 224 0811 71, washer 8 mm, applies twice on Touring E.

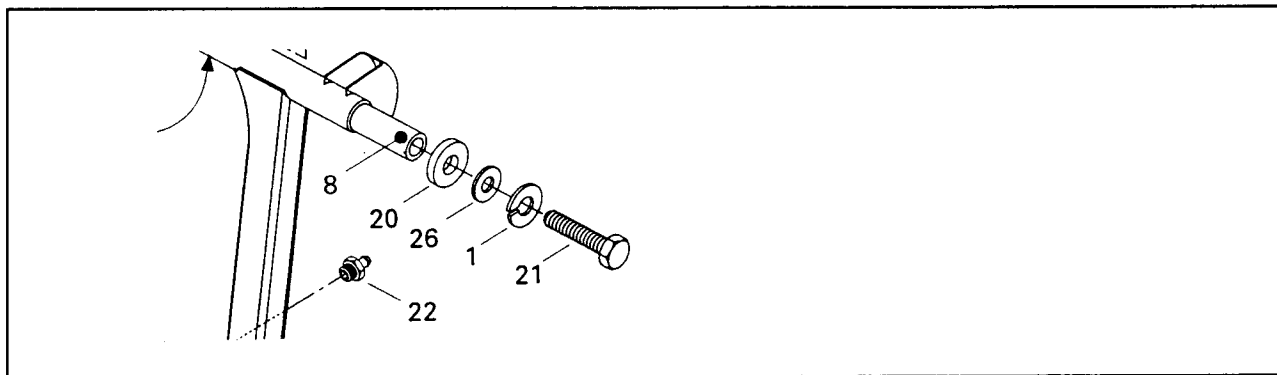


Page D10, please add item 48, P/N 224 0811 71, washer 8 mm, applies twice on Touring E (LT), LE & SLE.

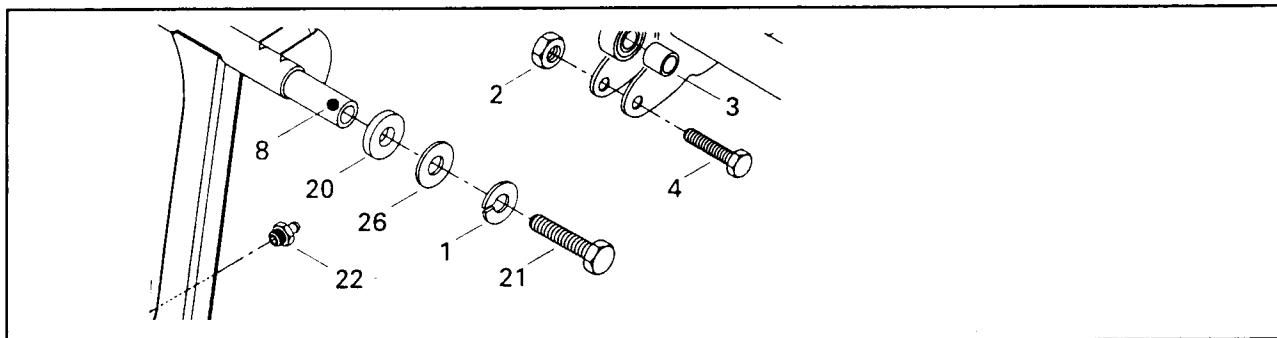
Pages D7-D8-D9-D10, please add on the illustration item 48, washer 8 mm, as shown below:



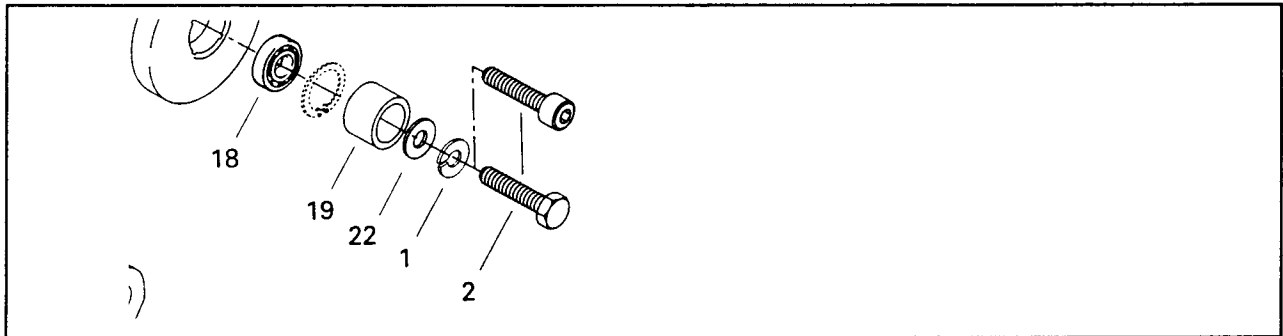
Page D11, please add item 26, P/N 224 0012 11, washer 10 mm, applies twice on Touring E. Please add this item on the illustration as shown below:



Page D12, please add item 26, P/N 224 0012 11, washer 10 mm, applies twice on Touring E (LT), LE & SLE. Please add this item on the illustration as shown below:



Page E1, item 22, P/N 224 0012 11, flat washer, applies four times on Touring E, E (LT), LE & SLE. Please add this item on the illustration as shown below:

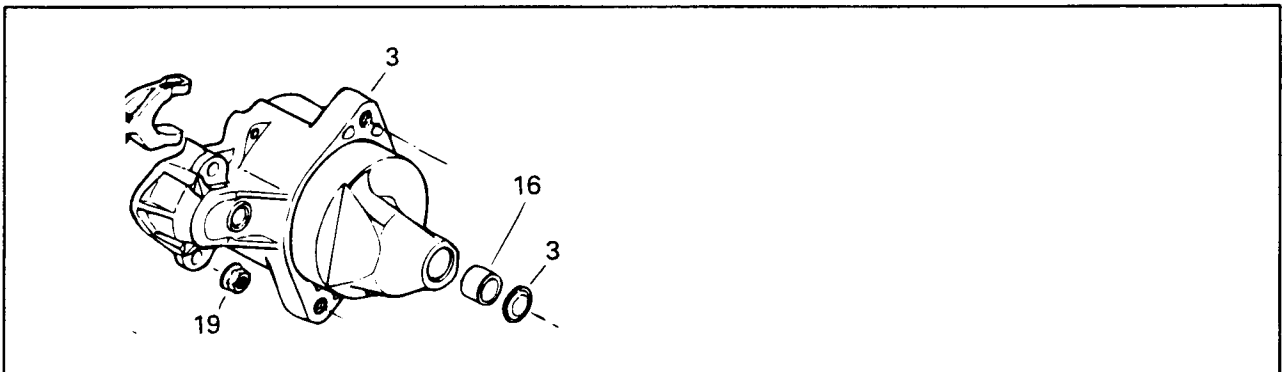


Page E5, item 34, P/N -xxx-, seat bracket, should read P/N 518 3102 08.

### **GRAND TOURING 500 / 580 / SE 1996 - 480 1405 00**

Page A11 ,item N18, P/N 420 8150 91, semi-trapez ring 78.25 mm, should read P/N 420 8150 31.

Page B7, item 3, P/N 410 2108 00, housing, should read, housing (incl. it 16). Please add this item on the illustration as shown below:



Page D2, item 19, P/N 404 1398 00, spring (idle adjusting screw) applies twice on Grand Touring 500 only.

Page D2, the following items apply only on Grand Touring 500:

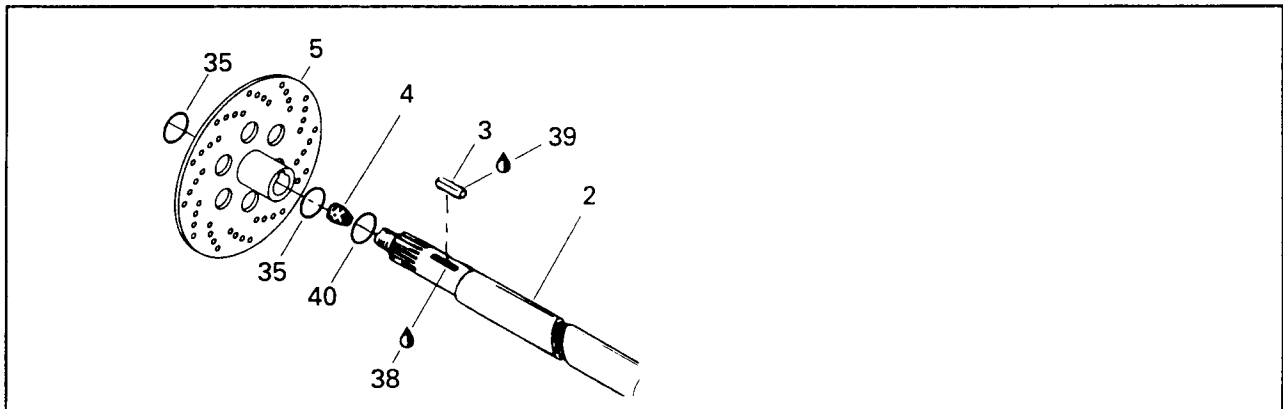
Item 31⇒37	N/P 403 9009 00	fuel pump	applies once
Item 32	N/P 404 9019 00	gasket	applies twice
Item 33	N/P 404 9000 00	packing	applies twice
Item 34	N/P 404 9005 00	screw	applies 12 times
Item 35	N/P 404 9004 00	packing	applies twice
Item 36	N/P 404 9020 00	gasket	applies twice
Item 37	N/P 404 9015 00	diaphragm	applies twice

Page D3, item 38, P/N 404 1120 00, tool kit, applies only on Grand Touring 500.

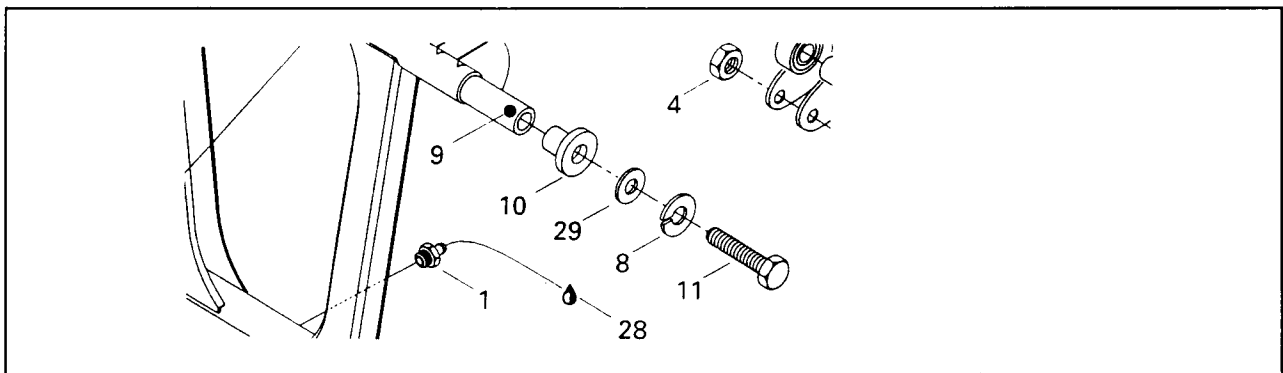
Page D10, item N109, P/N -xxx-, horn support, should read P/N 504 0987 00.

Page E2, please add item 40, P/N 371 9100 00, circlip, applies once on Grand Touring 500 & 580.

Pages E1-E2, please add on the illustrations, item 40, circlip, as shown below:



Page F1, please add item 29, P/N 224 0012 11, washer 10 mm, applies twice on Grand Touring 500 & 580. Please add this item on the illustration as shown below:



Page F2, item 21, P/N 224 0012 11, flat washer, should read, washer 10 mm, applies twice on Grand Touring 500 & 580.

Page F12, item 34, P/N -xxx-, seat bracket, should read P/N 518 3102 08.

Page G3, item 29, P/N 414 9391 02, high windshield, should read P/N 414 9391 00.

Page G3, item 34, P/N 414 6324 00, foam acoustic (74" x 34" x 1"thk.) should read P/N 414 6319 00.

Bombardier Inc.  
Marketing - Parts and accessories